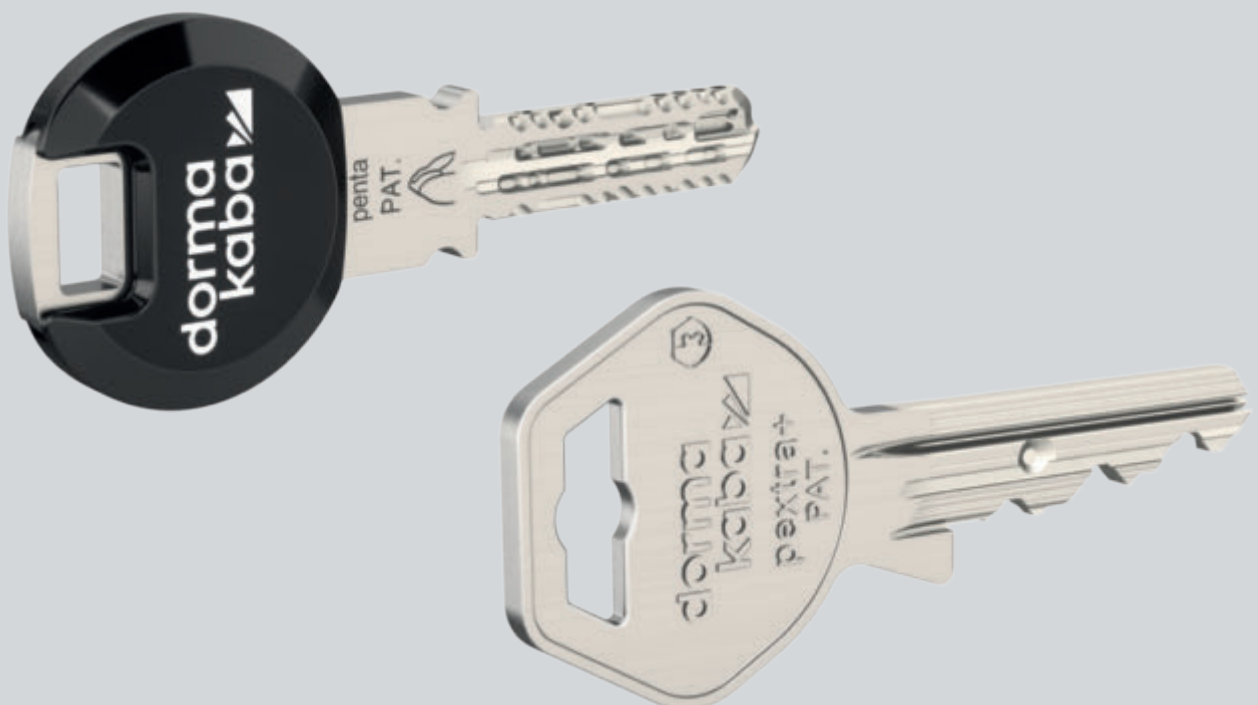


# Global Catalogue Mechanical Key Systems

Reversible Key EU-Systems  
Serrated Key EU-Systems

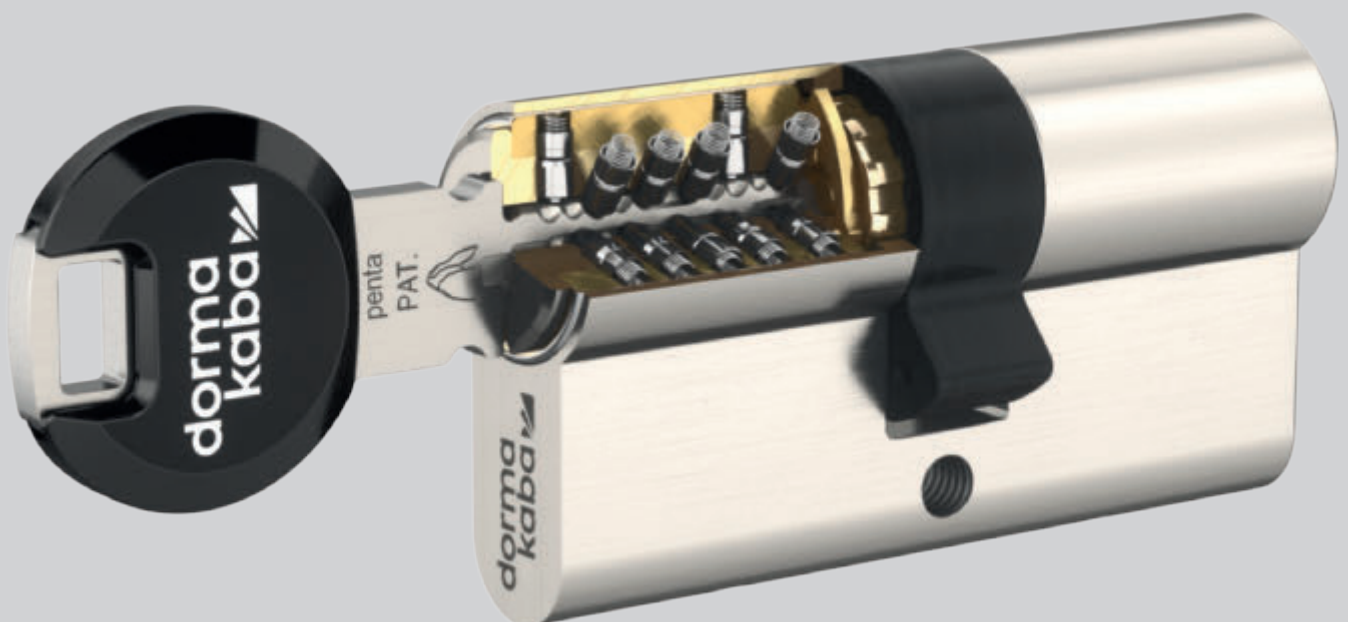


# Complete Catalogue MKS 2020

<b>01</b>	<b>Cover</b>	<b>469</b>	<b>Index</b>
<b>02</b>	<b>Table of Contents</b>	<b>473</b>	<b>Back Cover</b>
<b>03</b>	<b>Reversible Key Systems EU</b>		
03	System Description		
18	Keys with Systems and Clips		
36	Special Functions		
52	Mortise Door Lock Cylinders		
129	Camlocks		
154	Padlocks		
164	Furniture Cylinders		
190	Furniture Locks		
204	Outside Rim Cylinders		
219	Inside Rim Cylinders		
221	Key Switch Cylinders		
239	Elevator Cylinders		
245	Bible Cylinders		
248	Olive Cylinders		
250	Push Cylinders		
254	Glass Door Lock Cylinders		
258	Central Drawer Lock Cylinders		
260	Window Handles		
262	Key Cabinets		
266	Key Deposits		
<b>272</b>	<b>Serrated Key Systems EU</b>		
272	System Description		
287	Keys with Systems and Clips		
305	Special functions		
323	Mortise Door Lock Cylinders		
372	Camlocks		
389	Padlocks		
391	Furniture Cylinders and Locks		
427	Outside Rim Cylinders		
439	Inside Rim Cylinders		
444	Elevator Cylinders		
448	Bible Cylinders		
450	Snowman Cylinders		
452	Glass Door Lock Cylinders		
453	Surface Mounted Door Locks		
459	Key Cabinets		
463	Key Deposits		
<b>467</b>	<b>Terms and Conditions of Sale</b>		

# Mechanical Reversible Key EU-Systems

Reversible Key EU-Systems







# Reversible Key Systems EU at a Glance

All dormakaba reversible key systems EU are manufactured in Austria at the factory in Eggenburg. Each and every completely assembled cylinder and every key passes through this factory. The product range consists of factory made systems and dealer systems. Whereas the factory systems are manufactured exclusively in our factories, dealer systems may also be assembled by our authorised dealers.

# Overview Factory Systems

Cylinders and keys are only available completely assembled and permutated from the factory. This applies not only for new orders but also for extensions of existing master key systems and for spare parts. For legacy systems only extensions and repeat orders to existing master key systems and serial cylinders are accepted.

## System Family penta

System code number:	Patent valid until
penta cross (K90)	2036
penta (K84)	2033
penta (K57)	2021 (legacy system)

- 5 radially arranged tumbler pin rows
- Up to 22 active tumbler pin pairs (cross 20)
- A total of 85 possible tumbler pin positions (cross 78)
- Suitable for large and complex master key systems



## System Family quattro

System code number:	Patent valid until
quattro plus (K85)	2033
quattro plus (K58)	2021 (legacy system)
quattro S (K52)	Legacy system
quattro 1.1 (K51)	Legacy system
quattro 1.0 (K50S)	Legacy system

- 4 radially arranged tumbler pin rows
- Up to 22 active tumbler pin pairs
- A total of 44 possible tumbler pin positions
- Suited for large master key systems



## System Family gemini

System code number:	Patent valid until
gemini plus (K87)	2033
gemini plus (K81)	2021 (legacy system)
gemini T (K54)	Legacy system
gemini S (K53)	Legacy system
gemini (K50)	Legacy system

- 3 radially arranged tumbler pin rows
- Up to 16 active tumbler pin pairs
- A total of 32 possible tumbler pin positions
- Suited for small to medium sized master key systems



# Overview Dealer Systems

Authorised partners purchase cylinder components and key blanks with specific dealer codes from the factory. After thorough training and certification our partners are in a position to assemble cylinders themselves and permutate key blanks. The permutation data are provided by dormakaba.

## System Family expert

System code number:	Patent valid until
expert cross (K89)	2036
expert plus (K83)	2033
expert (K56)	2021

- 4 radially arranged tumbler pin rows
- Up to active 22 tumbler pins (cross 20)
- A total of 44 possible tumbler pin positions (cross 40)
- Suited for serial keyings and medium to medium-large master key systems



## System Family matrix

System code number:	Patent valid until
matrix plus (K86)	2033
matrix (K59)	2021

- 3 radially arranged tumbler pin rows
- Up to 16 tumbler pins
- A total of 32 possible tumbler pin positions
- Suited for serial keyings and small master key systems



# General Features

## Reversible Key Systems

### Design

- Reversible key in three bow and three clip styles in 12 colours for user friendly operation
- All housings are made of solid brass in one piece in a robust construction
- Numerous surface finishes (see cylinder surface finishes )
- All reversible keys are made from nickel silver
- Modular insert system (see modular concept)

### Complete Portfolio

- Complete cylinder portfolio available in Euro-, Swiss Round, Scandinavian Oval and Union Oval profiles as well as in other custom made profiles
- Full range of mortise door lock cylinders, camlocks, furniture locks, switch cylinders, padlocks, door handles, etc. available
- Upward compatible to electronic and mechatronic master key systems

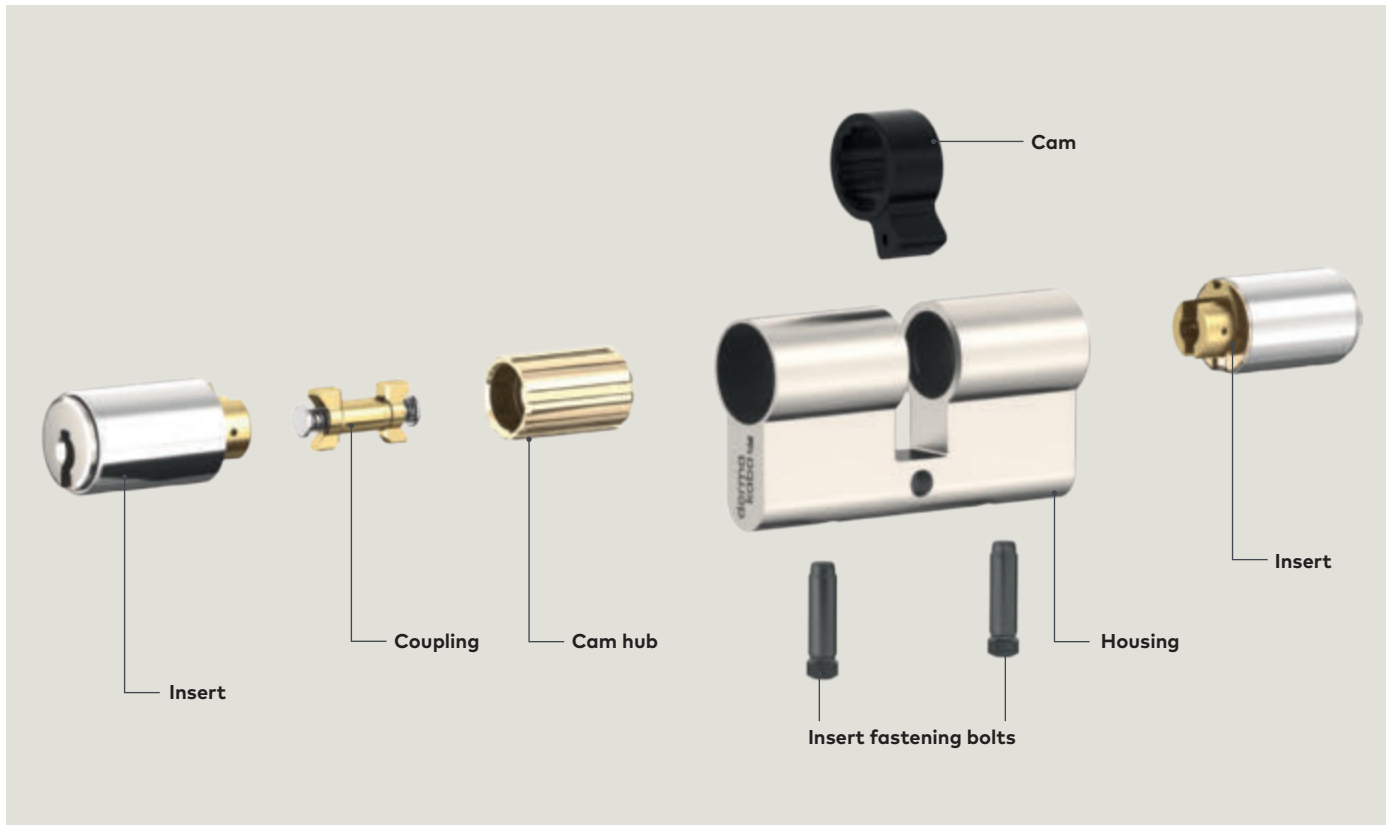
### Security

- Duplicate keys are only available against the registered security card from the dormakaba authorised dealer
- Key blanks are not available for retail sale
- Safe against bumping keys and impressioning by specially formed tumbler pins
- Special shape of tumbler pins protects against picking
- Patent protection
  - Patent number EP2890856B1 valid until 2036
  - Patent number EP2890856B1 valid until 2033
  - Patent number WO 01/177466 valid until 2021

### Standards

- EN 1303 Locking security: Class 6 in standard version
- EN 1303 Attack resistance: Class B in standard version, Class C and D with additional security components in the cylinder
- DIN 18252 all protection classes for mechanical locking cylinders available
- VdS Class B and BZ for highest safety requirements
- FZG for freewheel cylinders in gear operated mortise door locks
- Country specific standards such as SKG\*\*\* in the Netherlands or KiteMark in the UK

# Modular Concept



Investment security and upward compatibility - in short, long term use and usability of products once purchased have always been an important issue for - and a substantial differentiating characteristic of dormakaba.

The dormakaba reversible key system families penta, quattro, gemini, expert and matrix are manufactured in a module system design that makes it quick and easy to modify cylinder lengths and types. The integral part of the modularity concept is, that every technical system is completely integrated in the insert. This means the smallest components such as springs and tumbler pins are always contained in an enclosed sleeve.

Existing cylinders can be modified quickly and easily regarding length and/or function in combination with different cylinder bodies (complete housings), couplings and cam hubs. The locking system itself cannot be modified by the dealer. A general 2x12 conversion of the cam is possible.

The module insert concept allows the inserts to be used trouble-free in other cylinder types (single cylinders, thumbturn cylinders, rim cylinders, furniture cylinders, padlocks and cam locks). dormakaba modular expands the application area of authorised dealers, especially in the service area. A quick conversion of an existing cylinder and an adjustment to changed customer needs and requirements increases versatility and flexibility.

Specially trained and authorised modular dealers have an agreement with dormakaba to carry out cylinder conversion. dormakaba provides a dealer set to support these dealers (basic equipment of required cylinder parts for length changes and/or other conversions) as well as installation tools.

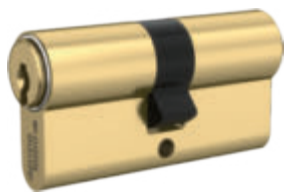
**For further information, request the dormakaba modular system catalogue.**

# Cylinder Surface Finishes

## Standard Surface Finishes

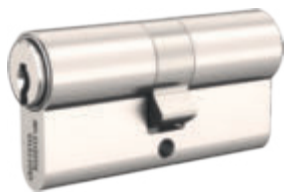


NI  
Nickel plated

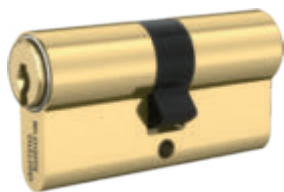


MS  
Brass natural

## Special Surface Finishes



NIC  
Chemically nickel plated



MP  
Brass polished



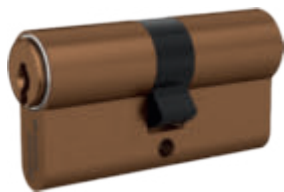
CR  
Chrome plated



CRP  
Chrome plated polished



BH  
Bronzed light



BM  
Bronzed medium



BD  
Bronzed dark

# Cylinder Care and Maintenance

## Use

dormakaba locking cylinders are extremely robust and durable. Nevertheless, it is necessary to take care of a dormakaba cylinder so that it will function without problems for as long as possible.

Please be sure that:

- the key is not bent or damaged
- the door is never opened by pulling on the key bow
- no leverage force is applied to the key
- no foreign objects are ever inserted in the cylinder

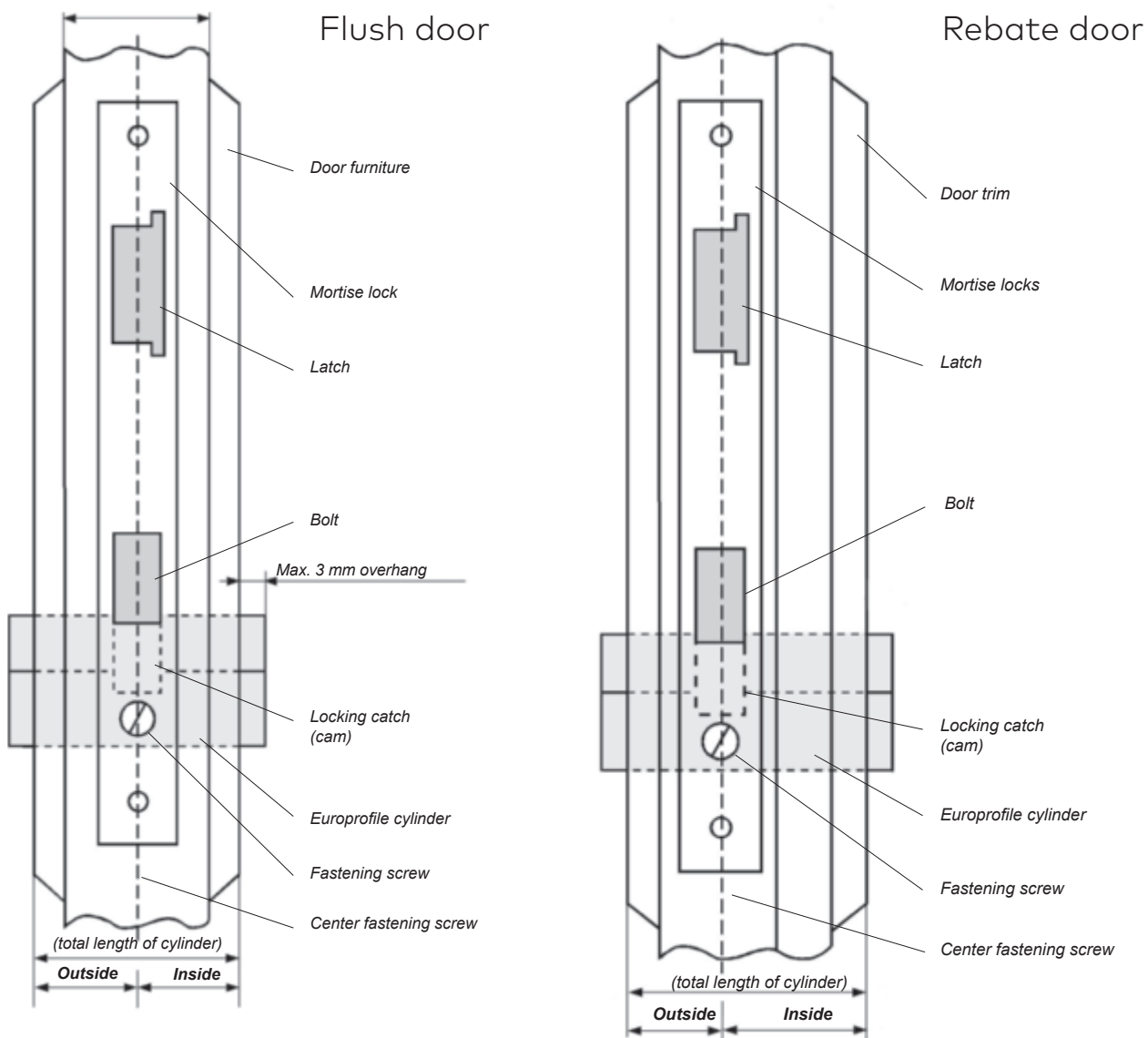
### **dormakaba Cleaner for preventative maintenance and care**

The cans are available in sizes 13/60/200 ml. The two smaller cleaners are pump sprays and are free from propellant gas. All sizes offer extremely economical dosing.

You can find more information about using the cleaner here:



# Determining the Cylinder Length



When determining the required cylinder length, the thickness of the door furniture and/or rosette being used must always be added to the door leaf thickness.

The required cylinder length is determined after inserting the mortise lock:

1. Outside = distance from cylinder fastening screw to the outside (including door furniture)
2. Inside = distance from cylinder fastening screw to the inside (including door furniture)
3. Select the next larger dimension (in 5 mm steps) from the cylinder lengths list.



# Order Instructions

Please note the following information regarding the order codes for our products. The codes are mostly self-explanatory. All order information about a product is contained in a generic code configured in the manner.

Cylinder options are shown as a feature. Every feature consists of a long and short text. The long text describes the options in prose. The short text is an acronym of the long text.

As follows the features are always described with the long text including the short text in parentheses, e.g. „nickel plated (NI)“ or „double key override (BSZ)“. The short text allows the order code to shown compact. All features are separated by a slash „/“. The order of the short texts is dictated by sequence of the options in the cylinder types.

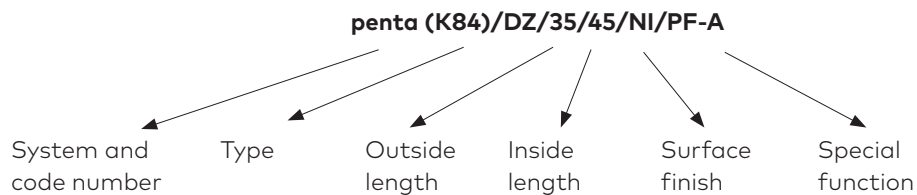
As a standard each order code begins with the features: technical system/cylinder/type/... options

Exceptions:

- A „type“ is certain design of a cylinder. Cylinders without types do not have this feature
- When ordering without a technical system (system neutral), the order code begins with K/SYST/Cylinder/Type/...

## Order code example for a lock cylinder with two additional functions:

Double cylinder in the system penta (K84), outside length 35 mm (side A), inside length 45 mm (side B), cylinder surface finish nickel plated, priority function on side A.



**The first length specified is always the outside of the cylinder!**

# Short Texts – Cylinder Types and Special Functions

## Cylinder types

<b>DZ</b>	Double cylinder, Euro profile Ø 17 mm
<b>DZCH</b>	Double cylinder, Swiss round profile Ø 22 mm
<b>UDZ</b>	Union double cylinder
<b>UHZ</b>	Union single half cylinder
<b>ODZ</b>	Oval double cylinder
<b>OHZ</b>	Oval single cylinder
<b>DKZ</b>	Thumbturn cylinder
<b>HZ</b>	Single cylinder
<b>WCZ</b>	WC cylinder
<b>BDZ</b>	Blind double cylinder
<b>BHZ</b>	Blind single cylinder
<b>BDKZ</b>	Blind double thumbturn cylinder
<b>DKHZ</b>	Thumbturn single cylinder
<b>VHS</b>	Padlock
<b>AZ</b>	Outside rim cylinder
<b>IZ</b>	Inside rim cylinder
<b>BMZ</b>	Camlock cylinder
<b>ZSL</b>	Key
<b>FG</b>	Window handle
<b>GTS</b>	Glass door cylinder
<b>MZ</b>	Furniture cylinders
<b>MAS</b>	Furniture lock
<b>MES</b>	Espagnolette lock
<b>DRZ</b>	Push cylinder
<b>ZVZ</b>	Central lock cylinder
<b>OL</b>	Olives
<b>ROS</b>	Rosettes
<b>RZ</b>	Round cylinder
<b>AFZ</b>	Elevator control cylinder
<b>SZM</b>	Switch cylinder with switch element
<b>SZO</b>	Switch cylinder without switch element

## Special functions (see chapter special functions for detailed description)

<b>BAZ</b>	Construction time function
<b>BL</b>	Blind on one cylinder side
<b>BSZ</b>	Double key override
<b>BS</b>	Drilling protection
<b>DF</b>	Duplo function
<b>FZG</b>	Freewheel cam for gear operated or panic locks
<b>GF</b>	Emergency key function
<b>KT</b>	Contact pin
<b>LAM</b>	Steel reinforcement plate
<b>PF</b>	Priority function
<b>RB</b>	Relative cam movement
<b>SAT</b>	Secure access temporary
<b>SIS</b>	Dust and insect protection
<b>SSW</b>	Dust and splash protection
<b>TIC</b>	Thermally insulated cylinder
<b>ZR</b>	Cogwheel cam
<b>ZS</b>	Pulling protection

# Combination Options – Special Functions

The following table provides an overview of the special functions available, their possible combinations with each other and the availability of the cylinder types.

Cylinder types	Order Code	Optional special functions „x“ combination possible																		
		BAZ	BAZ3	BSZ	DF	FZG	GF	PF	ZR	RB	KT	SSW	SIS	NIC	TIC	SAT2	SAT1	LAM	VDSB	VDSBZ
Double cylinder	DZ	x	x	x	x	x	x	x		x	x	x		x		x	x	x	x	x
Single cylinder	HZ	x	x		x	x				x	x	x		x		x	x		x	x
Thumbturn	DKZ	x	x			x		x			x	x		x		x	x			
Thermally insulated cylinder – double cylinder	DZ/TIC	x	x	x										x	x					
Thermally insulated cylinder – thumbturn cylinder	DKZ/TIC	x	x	x										x	x					

Special functions	Order Code	Optional special functions „x“ combination possible																		
Construction time function – change keying 1 x	BAZ			x		x	x	x		x				x	x			x	x	x
Construction time function – change keying 2 x	BAZ3			x		x	x	x		x				x	x			x	x	x
Double key override	BSZ	x	x							x	x	x		x	x	x	x	x	x	x
Duplo function	DF					x	x			x	x	x		x				x		
Freewheel cam for gear operated or panic locks	FZG	x	x								x	x		x			x	x		
Emergency key function	GF	x	x		x					x	x	x		x			x	x	x	x
Priority function	PF	x	x		x					x	x	x		x			x	x	x	x
Cogwheel cam	ZR	x	x	x	x		x	x	x		x	x	x	x	x			x	x	x
Relative cam movement	RB	x	x	x	x		x	x			x	x		x				x	x	x
Contact pin	KT			x	x	x	x	x	x		x			x						
Dust and splash protection	SSW			x	x	x	x	x		x	x			x		x	x	x	x	
Dust and insect protection	SIS			x	x	x		x	x	x				x	x	x	x	x		
Chemically nickel plated	NIC	x	x	x	x	x	x	x		x	x	x			x	x	x	x	x	x
Thermally insulated cylinder	TIC	x	x	x										x						
Secure Access Temporary Function 2	SAT2			x							x			x			x			
Secure Access Temporary Function 1	SAT1			x			x	x			x					x				
Steel reinforcement plate	LAM	x	x	x	x	x	x	x		x	x			x		x	x			
VdS certified: drilling protection	VDSB	x	x	x			x	x		x	x			x						
VdS certified: Pulling and drilling protection	VDSBZ	x	x	x			x	x		x				x						

# Important Product Information

## General Notes

Please note the following information about mechanical and mechatronic lock cylinders. dormakaba Austria GmbH will not be held liable for any damage resulting from failure to adhere to this information.

## 1. Product information and use according to the intended purpose

A lock cylinder is in the sense of this definition a component, that in general can be installed exchangeably in door locks, door furniture, apparatuses or doors prepared here for or in other related product types. Other lock cylinder styles (e.g. switch locks) shall be handled accordingly. The proper operation of cylinders is performed with their respective keys.

1.1 Lock cylinders can then be installed without reserve in locks, door furniture, apparatuses, etc. if they have been expressly arranged for the respective lock cylinder. In other cases the manufacturer, dealer, installer or user of such locks, door furniture, apparatuses etc must themselves be sure for himself that the selected lock cylinder is suitable for application. Mandatory legal regulations must also be adhered to. (e.g. emergency exits, elevators).

1.2 Lock cylinders, that may be subject to force, may not protrude more than 3 mm above the door furniture. The degree of burglary resistant measures is according to the demands required.

1.3 The installation of lock cylinders must be executed in such a manner, that when the key has been properly removed from the cylinder that no external force can be transferred to the cam or in the turning direction of the locking bar.

1.4 For humid or refrigerated rooms, outside use, use in marine environments or for use environs with aggressive, corrosion agents, the lock cylinders must be specified in the appropriate special configuration. The same applies for lock cylinders that are heavily exposed to dust. In such cases weather caps or protective rosettes shall be used. Electronic or mechatronic products may only be used in such environments in consent with the manufacturer.

1.5 Usually a double cylinder with two locking sides can not be operated if a key has been inserted into the other side of the lock cylinder. If this should be possible, select a lock cylinder with the respective function (BSZ ... Double Key Override).

1.6 For correct use of the key, apply force to key only when it has been completely inserted into the keyway and has reached the stop.

1.7 Lock cylinders and keys form a functional unit. We can only hold our liability for our original products only.

1.8. Replacement keys for lock cylinders must be checked for correct function in the respective lock cylinder immediately upon receipt. Mechatronical access media must be programmed for its intended functions.

## 2. Misuse

Misuse - incorrect product use of lock cylinders/access systems or keys/media occurs if:

2.1 tools such as nails, pliers, or others are used on the key bow to increase torque.

2.2 the key is used as a lever handle to open a door. The key is not suited for use in place of door furniture (knob, lever handle, rigid handle etc.)

2.3 the lock cylinder is operated with falsified, bent, damaged or badly worn keys.

2.4 it has been attempted to unlock the cylinder with picking tools, other objects or unauthorized duplicate keys.

2.5 if foreign objects are found in the keyway or on the key itself or if the maintenance guidelines have not been followed.

## 3. Product performance

Product performance is stated in our catalogues, brochures and product descriptions. The life cycle (security and function) of a lock cylinder is about 10-15 years, depending on the application frequency of use. The cylinder are tested to 100,000 locking cycles minimum. This corresponds to approximately 15-18 locking cycles per day during 15 years. It is possible that a lock cylinder can become defective after a short period of time if it is not operated and maintained properly. The life cycle of mechatronical/digital locks and access systems are specified in the respective technical documentation. Lock cylinders and keys/access media must be replaced, especially if the key cannot be freely inserted and retracted, in spite of correct maintenance.

#### **4. Preventive maintenance**

Lock cylinders should be treated according to the requirements, but at least twice a year using our recommended cleaning agent (dormakaba Cleaner). Additionally, a function control should be carried out. Principally lock cylinders may never be treated with resinated substances (e.g. oil).

#### **5. Information and instructions**

The following documents contain information and instruction obligations and services available for licensees, locksmiths, architects, planners, advisory institutions, contractors or consumers:

- Catalogues, brochures
- Master key plans
- Instructions for installation and operation and maintenance
- Training documentation for a selection of lock cylinders (after training completion)

5.1 for architects, planners and advisory institutions, all required production information must be requested from us and adhered to.

5.2 for locksmith partners, licensees and contractors all product information shall be followed and required operation and maintenance instructions shall be requested from us and passed on to subcontractors and/or users.

5.3 dormakaba reserves the right to change or supplement the above mentioned information at any time.

Subject to changes without prior notice.  
Copyright by dormakaba Austria GmbH.

# Keys with Systems and Clips

## Smartkey (SK) – with SK Clip

### Application

The Smartkey type SK is the standard key form for all dormakaba reversible key systems EU.

Smartkeys can be equipped with an RFID transponder clip for combination with mechatronic and electronic access control systems. Details see EAD product catalogue.

### Specification

- All dormakaba reversible keys are made of high-quality nickel silver.
- Key blanks are manufactured exclusively at the dormakaba production sites in Austria and Switzerland.

### Included with the cylinder

- SK key with SK coloured clip for finished machined keys
- SK key without SK coloured clip for key blanks

### Order example

expert plus (K83)/ZSL/SK/... key options

### Key options as follows:

#### Technical system

##### - Factory systems

penta cross (K90)

penta (K84)

quattro plus (K85)

gemini plus (K87)

##### - Dealer systems

expert cross (K89)

expert plus (K83)

expert (K56)

expert (S) (K56)

matrix plus (K86, Twincode)

matrix (K59)

entro (K91, Twincode)

eco (K82)

##### - Legacy systems

penta (K57)

quattro plus (K58)

quattro S (K52)

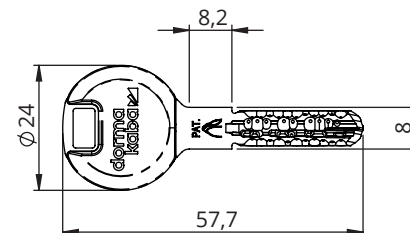
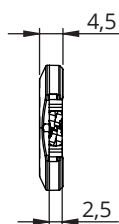
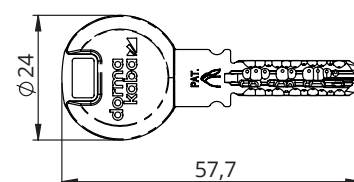
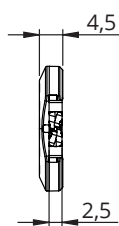
quattro 1.0 (K50S)

quattro 1.1 (K51)

gemini plus (K81)

gemini S (K53)

gemini T (K54)



Neck milled to 8 mm width, AK653

# Keys with Systems and Clips

## Smartkey (SK) – with SK Clip

### System type

Replacement key (NB)  
Key blank (SR)  
Dealer key (DEA)  
Dealer replacement key (DEANB)

### Bow form

Smartkey with hardened key tip (SK-AK921)

### Surface finish key

Nickel silver (NS)  
Nickel-plated chemically (NIC)  
NIC is not available for cross systems.

### Style clip

12 SK clips available. Details see following pages.

### Key width

8 mm (AK653)

Key neck milled to 8 mm width for easier insertion in security rosettes and gear-operated door locks.

May not be used with:

- gemini plus (K87)
- quattro plus (K85)
- penta (K84)
- penta cross (K90)
- expert cross (K89)
- eco plus (K88)

### Access function

Key with duplo function (DF)

Key with SAT function (SAT)

Access functions are only available for limited technical systems. See chapter 'Special functions'.

### Construction time function

BAZ double life change key (BAZ-U)

BAZ3 triple life change key A (BAZ3-UA)

BAZ3 triple life change key B (BAZ3-UB)

Construction time function is only available for limited technical systems. See chapter 'Special functions'.

### Key hierarchy

Single key (ES)

Main group key (HGS)

# Keys with Systems and Clips

## Smartkey (SK) – with SK Clip

### Clip colour base

Clip code 51 purple (51-DP)



Clip code 52 black (52-BK)



Clip code 53 yellow (53-YE)



Clip code 54 green (54-DG)



Clip code 55 red (55-DR)



Clip code 56 blue (56-BL)



Clip code 57 white fluorescend (57-WF)





# Keys with Systems and Clips

## Smartkey (SK) – with SK Clip

### Clip colour base

Clip code 70 light red (70-LR)



Clip code 71 light green (71-LG)



Clip code 72 light blue (72-LB)



Clip code 73 light purple (73-LP)



Clip code 74 orange (74-OR)



# Keys with Systems and Clips

## Smartkey (SK) – with CC Curved Clip

### Application

The Smartkey type SK is the standard key form for all dormakaba reversible key systems EU.

Curved clips (CC) are exclusively available for penta cross (K90) and penta (K84) only and are standard for these systems. The clips are manufactured in high-precision injection mould processes with two plastic components.

Smartkeys can be equipped with an RFID transponder clip for combination with mechatronic and electronic access control systems. Details see EAD product catalogue.

### Specification

- All dormakaba reversible keys are made of high-quality nickel silver.
- Key blanks are manufactured exclusively at the dormakaba production sites in Austria and Switzerland.

### Included with the cylinder

- SK key with coloured CC clip for finished machined keys
- SK key without CC coloured clip for key blanks

### Order example

penta (K84)/ZSL/SK/... key options

### Key options as follows:

### Technical system

penta cross (K90)

penta (K84)

### System type

Replacement key (NB)

### Surface finish key

Nickel silver (NS)

Nickel-plated chemically (NIC)

NIC is not available for cross systems.

### Access function

Key with duplo function (DF)

Not available for cross systems

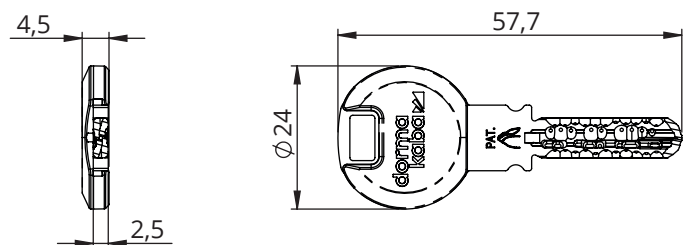
### Construction time function

BAZ double life change key (BAZ-U)

BAZ3 triple life change key A (BAZ3-UA)

BAZ3 triple life change key B (BAZ3-UB)

Not available for cross systems



# Keys with Systems and Clips

Smartkey (SK) – with CC Curved Clip

**Key hierarchy**

Single key (ES)

Main group key (HGS)

# Keys with Systems and Clips

## Smartkey (SK) – with CC Curved Clip

### Clip colour base

Clip code 51 purple (51-DP)



Clip code 52 black (52-BK)



Clip code 53 yellow (53-YE)



Clip code 54 green (54-DG)



Clip code 55 red (55-DR)



Clip code 56 blue (56-BL)



Clip code 70 light red (70-LR)



# Keys with Systems and Clips

Smartkey (SK) – with CC Curved Clip

**Clip colour base**

Clip code 71 light green (71-LG)



Clip code 72 light blue (72-LB)



Clip code 73 light purple (73-LP)



Clip code 74 orange (74-OR)



Clip code 80 white (80-WH)



# Keys with Systems and Clips

## Largekey Clip (LK) – with LK Clip

### Application

The large bow clip eases the operation of multiple-point locks and has a longer neck for security door furniture. LK clips offer the opportunity to individualise keys with stickers in the recess in the middle of the clip. Available on request.

### Specification

- All dormakaba reversible keys are made of high-quality nickel silver.
- Key blanks are manufactured exclusively at the dormakaba production sites in Austria and Switzerland.

### Included with the cylinder

- LK key with LK coloured clip for finished machined keys
- LK key without LK coloured clip for key blanks

### Order example

expert plus (K83)/ZSL/LK/... key options

### Key options as follows:

#### Technical system

##### - Factory systems

penta cross (K90)  
penta (K84)  
quattro plus (K85)  
gemini plus (K87)

##### - Dealer systems

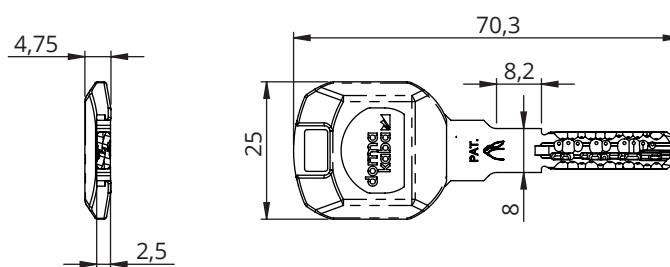
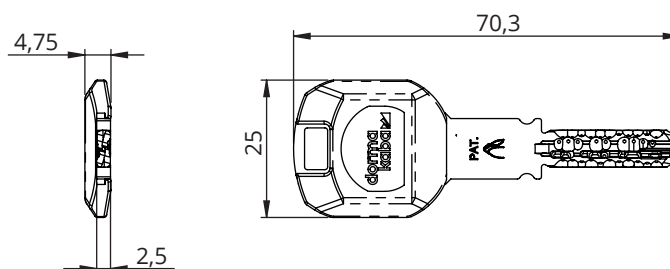
expert cross (K89)  
expert plus (K83)  
expert (K56)  
expert (S) (K56)  
eco (K82)  
matrix plus (K86, Twincode)  
matrix (K59)  
entro (K91, Twincode)

##### - Legacy systems

penta (K57)  
quattro plus (K58)  
quattro S (K52)  
gemini plus (K81)  
gemini S (K53)  
gemini T (K54)

### System type

Replacement key (NB)  
Key blank (SR)  
Dealer key (DEA)  
Dealer replacement key (DEANB)



Neck milled to 8 mm width, AK653

# Keys with Systems and Clips

## Largekey Clip (LK) – with LK Clip

### Surface finish key

Nickel silver (NS)

Nickel-plated chemically (NIC)

### Style clip

Clip Smartkey (SK)

Reelax (AK802)

### Key width

8 mm (AK653)

Key neck milled to 8 mm width for easier insertion in security rosettes and gear-operated door locks.

May not be used with:

- gemini plus (K87)
- quattro plus (K85)
- penta (K84)
- penta cross (K90)
- expert cross (K89)
- eco plus (K88)

9.5 mm (AK802)

Key neck milled to 9.5 mm width for easier insertion in security rosettes and gear-operated locks.

- Only available in systems expert plus (K83) and expert (K56)

Cannot be used with:

- Service function

### Access function

Key with duplo function (DF)

Key with SAT function (SAT)

Access functions are only available for limited technical systems. See chapter 'Special functions'.

### Construction time function

BAZ double life change key (BAZ-U)

BAZ3 triple life change key A (BAZ3-UA)

BAZ3 triple life change key B (BAZ3-UB)

Construction time function is only available for limited technical systems. See chapter 'Special functions'.

### Key hierarchy

Single key (ES)

Main group key (HGS)

# Keys with Systems and Clips

## Largekey Clip (LK) – with LK Clip

### Clip colour base

Clip code 01 dark red (01-DR)



Clip code 02 light red (02-LR)



Clip code 03 dark green (03-DG)



Clip code 04 light green (04-LG)



Clip code 05 dark blue (05-DB)



Clip code 06 light blue (06-LB)



Clip code 07 light yellow (07-YE)





# Keys with Systems and Clips

## Largekey Clip (LK) – with LK Clip

### Clip colour base

Clip code 08 dark purple (08-DP)



Clip code 09 light purple (09-LP)



Clip code 10 black (10-BK)



Clip code 11 white fluorescent (11-WF)



Clip code 14 orange (14-OR)



# Keys with Systems and Clips

## Long Bow Key (LR)

### Application

An especially robust key for use in mechanical serial and master key systems. The large bow eases the operation of multiple-point locks and has a longer neck for security door furniture.

### Specification

- All dormakaba reversible keys are made of high-quality nickel silver.
- Key blanks are manufactured exclusively at the dormakaba production sites in Austria and Switzerland.

### Order example

expert plus (K83)/ZSL/LR/... key options

### Key options as follows:

#### Technical system

##### - Factory systems

penta cross (K90)  
penta (K84)  
quattro plus (K85)  
gemini plus (K87)

##### - Dealer systems

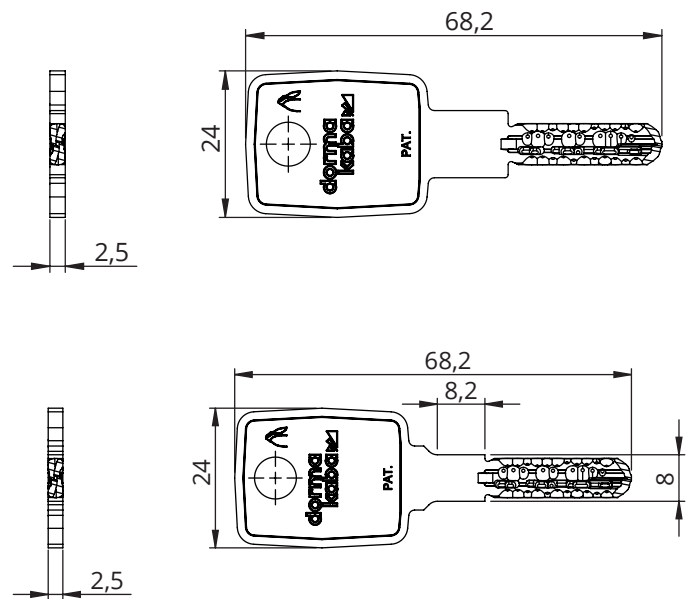
expert cross (K89)  
expert plus (K83)  
expert (K56)  
eco (K82)  
expert (S) (K56)  
matrix plus (K86, Twincode)  
matrix (K59)  
entro (K91, Twincode)

##### - Legacy systems

penta (K57)  
quattro plus (K58)  
quattro S (K52)  
quattro 1.1 (K51)  
quattro 1.0 (K50S)  
gemini plus (K81)  
gemini T (K54)  
gemini S (K53)  
gemini (K50)

### System type

Replacement key (NB)  
Key blank (SR)  
Dealer key (DEA)  
Dealer replacement key (DEANB)



Neck milled to 8 mm width, AK653

# Keys with Systems and Clips

## Long Bow Key (LR)

### Surface finish key

Nickel silver (NS)

Nickel-plated chemically (NIC)

### Key width

8 mm (AK653)

Key neck milled to 8 mm width for easier insertion in security rosettes and gear-operated door locks.

May not be used with:

- gemini plus (K87)
- quattro plus (K85)
- penta (K84)
- penta cross (K90)
- expert cross (K89)
- eco plus (K88)

### Access function

Key with duplo function (DF)

Key with SAT function (SAT)

Access functions are only available for limited technical systems. See chapter 'Special functions'.

### Construction time function

BAZ double life change key (BAZ-U)

BAZ3 triple life change key A (BAZ3-UA)

BAZ3 triple life change key B (BAZ3-UB)

Construction time function is only available for limited technical systems. See chapter 'Special functions'.

### Key hierarchy

Single key (ES)

Main group key (HGS)

# Keys with Systems and Clips

## Round Key Bow (RR)

### Application

The original Kaba reversible key design is only offered in selected legacy systems.

### Specification

- All dormakaba reversible keys are made of high-quality nickel silver.
- Key blanks are manufactured exclusively at the dormakaba production sites in Austria and Switzerland.

### Order example

geminis (K50)/ZSL/RR/... key options

### Key options as follows:

### Technical system

#### - Legacy systems

quattro plus (K58)  
quattro 1.1 (K51)  
quattro 1.0 (K50S)  
geminis T (K54)  
geminis S (K53)  
geminis (K50)

### System type

Replacement key (NB)  
Key blank (SR)  
Dealer key (DEA)  
Dealer replacement key (DEANB)

### Surface finish key

Nickel silver (NS)  
Nickel-plated chemically (NIC)

### Style clip

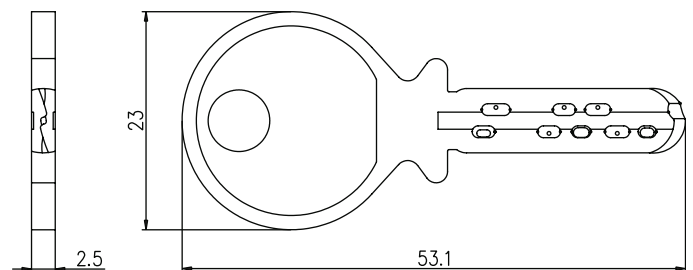
Knobkey (KS)

### Access function

Key with duplo function (DF)  
Key with SAT function (SAT)  
Access functions are only available for limited technical systems. See chapter 'Special functions'.

### Construction time function

BAZ double life change key (BAZ-U)  
BAZ3 triple life change key A (BAZ3-UA)  
BAZ3 triple life change key B (BAZ3-UB)  
Construction time function is only available for limited technical systems. See chapter 'Special functions'.



# Keys with Systems and Clips

Round Key Bow (RR)

**Key hierarchy**

Main group key (HGS)

Single key (ES)

# Keys with Systems and Clips

## Emergency Override Key (GF)

### Application

Anywhere personal privacy is required and at the same time the highest degree of safety for emergency situations must be guaranteed.

If a key is inserted on the inside and turned, a normal key cannot open the door from the outside. The emergency key allows doors to be opened even if a key has been inserted on the inside. In comparison to the priority function (see chapter 'Special functions'), the emergency key is specially managed and registered and is equipped with a special clip.

N.B. The emergency key function is available for both master key systems as well as for serial keyings.

### Specification

- The key itself must be ordered separately.
- All dormakaba reversible keys are made of high-quality nickel silver.
- Key blanks are manufactured exclusively at the dormakaba production sites in Austria and Switzerland.

### Order example

expert plus (K83)/ZSL/GF/... key options

### Key options as follows:

#### Technical system

##### - Factory systems

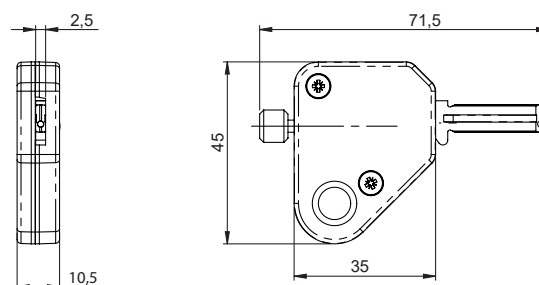
penta (K84)  
quattro plus (K85)  
gemini plus (K87)

##### - Dealer systems

expert plus (K83)  
expert (K56)  
matrix plus (K86, Twincode)  
matrix (K59)  
entro (K91, Twincode)  
eco (K82)  
expert (S) (K56)

##### - Legacy systems

penta (K57)  
quattro plus (K58)  
quattro S (K52)  
quattro 1.1 (K51)  
quattro 1.0 (K50S)  
gemini plus (K81)  
gemini T (K54)  
gemini S (K53)  
gemini (K50)



# Keys with Systems and Clips

## Emergency Override Key (GF)

### **System type**

Replacement key (NB)

Key blank (SR)

### **Bow form**

Emergency key GF (AK840)

Emergency key GF (AK807)

Emergency key GF (AK576)

Emergency key GF (AK527)

Emergency key GF (AK353)

### **Surface finish key**

Nickel silver (NS)

Nickel-plated chemically (NIC)

### **Key hierarchy**

Single key (ES)

Main group key (HGS)

# Special Functions

## K.SAT | Secure Access Temporary

### Application

For doors requiring temporary access – for example, in private homes, apartments, small businesses and doctors' practices -for dog-sitters, babysitters, gardeners and craftsmen.

### Function

The system consists of a proprietor key and a service key. When the proprietor key has been retracted to the 8 o'clock position (e.g. by the home owner), the door can be opened with the service key.

If the proprietor key has been retracted to the 6 o'clock position, the door cannot be opened from the outside with the service key.

If the service function is active and has been locked from the inside with the service key, the proprietor can still unlock the door from the outside, even if the service key is still inserted in the lock cylinder on the inside. The proprietor always has access.

### Notes

- The SAT change function between standard and service mode is available for the following cylinder types (SAT2):  
Double cylinder (DZ)  
Thumbturn cylinder (DKZ)  
Single cylinder (HZ)

- The SAT locking function for the service key (without the change function) is available for further selected cylinder types (as SAT1 option indicated in the respective cylinder types)

It is available for the following technical systems:

- expert plus (K83) and expert (K56) – suitable for private homes, apartments, practices and small businesses
- quattro plus (K85) – suitable for master key systems

Equipped with double key override coupling, standard (BSZ)

Key identification:

- Proprietor key marked O1; please indicate clip colour when ordering
- Service key marked SAT-O1; please indicate clip colour when ordering



6 o'clock position (blue) – 8 o'clock position (red) for service key



# Special Functions

## K.SAT | Secure Access Temporary

### Order example

- expert plus (K83)/DZ/30/30/NI/SAT2A-SAT1B ... with activable service function on the cylinder outside
- expert plus (K83)/DZ/30/30/NI/SAT1A-SAT1B ... service key authorised on sides A and B, no change function
- quattro plus (K85)/DKZ/35/30/RK/NI/SAT2 ... with activable service function on the cylinder outside
- quattro plus (K85)/BMZ/1031/NI/SAT1 ... service key authorised on sides A and B, no change function

Possible combinations with other special functions see chapter System Description "Combination Options - Special Functions"

# Special Functions

## K.BAZ | Construction Time Function

### Application

For building projects in which during the construction phase, controlled access for craftsmen to certain areas or rooms of the building must be provided. During this time, the end user can also access these cylinders with his key.

For a quick change of authorisation in the case of key loss – without replacing the lock cylinder.

### Function

For the BAZ cylinder, there are up to three generations of keys and the appropriate changing keys. By changing the code of the cylinder with the changing key, the authorisation of the current key generation is revoked. Now only the keys of the subsequent generation are authorised.

BAZ: two key generations, one changing key

BAZ3: three key generations, two changing keys

### Notes

The changing key is only used to change the code of the cylinder and may not be used either as a construction key nor as an end user key.

Keys of the following generations are also authorised in the preceding generations.

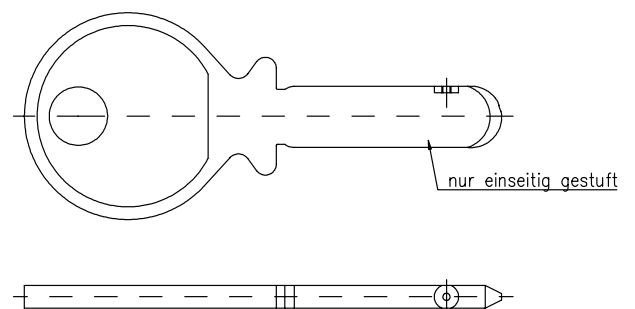
User instructions are provided for BAZ/BAZ3 cylinders.

For possible combinations with other special functions see chapter "Combination Options – Special Functions"

### Order code system

Short text .../BAZ/... in the order code

Short text .../BAZ3/... in the order code



# Special Functions

## K.DF | Duplo Function

### Application

Temporary access for certain building areas and rooms, such as personnel doors or single offices.

### Function

The personnel key operates only the latch of the mortise door lock and opens the door only if it has been unlocked beforehand (e.g. at opening time). Only the proprietor key operates the bolt to lock and unlock the door.

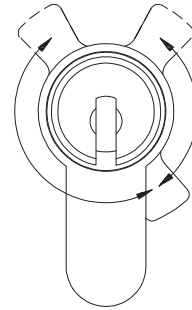
### Notes

- Only available for factory systems (in product lines penta, quattro and gemini – and with the exception of penta cross (K90))
- Not available for thumbturn cylinders
- Mortise door locks must be equipped with the key latch retraction function
- Not suitable for automatic bolting locks (panic locks)
- This function can only be used on one side. When ordering, cylinder side has to be defined (see order example)

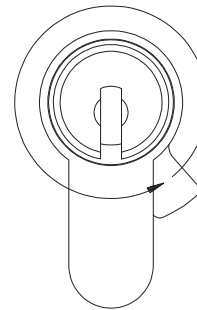
For possible combinations with other special functions see chapter "Combination Options – Special Functions"

### Order example

quattro plus (K85)/DZ/30/30/NI/.../DF\_A/...  
penta (K84)/DZ/30/40/CR/.../DF\_B/...



The normal key (personnel) can only retract the latch.



The duplo key turns 360° and operates the bolt.

# Special Functions

## K.BSZ | Double Key Override (key override from both sides)

### Application

The BSZ function can be used in many applications, such as in apartment buildings, private homes, nursing homes, hospitals and commercial buildings.

### Function

The double key override function enables a door to be opened regardless of whether or not a key is inserted and turned from the other side with an authorised key. The key on the opposite side is turned by the override key. The function is given on both sides of the cylinder.

### Notes

The key on the opposite side is turned along with the override key. Please take care that the inserted key is not on a large key ring, as this may lead to complications.

The BSZ function is a convenience feature and not security equipment!

For possible combinations with other special functions see chapter "Combination Options – Special Functions"

### Order code system

Short text .../BSZ/... in the order code



# Special Functions

## K.PF | Priority Function (key override from one side)

### Application

For schools, hospitals, industries and correctional institutions, ... always when unwanted lockout should be prevented (e.g. by holding the thumbturn knob on the inside of the door).

### Function

Every authorised key on the PF (priority function) side has priority over an inserted key or thumbturn knob on the opposite side. These do not turn along with the authorised key when locking or unlocking.

### Notes

The priority function can only be used on one side of the cylinder. The PF function side is marked by an X on the cylinder housing for unambiguous identification when installing the cylinder.

For possible combinations with other special functions see chapter "Combination Options – Special Functions"

### Order code system

Short text .../PF\_A/... in the order code

Short text .../PF\_B/... in the order code

# Special Functions

## K.FZG | Freewheel Cylinder for Gear-Operated and Panic Locks

### Application

For gear-operated and panic door locks.

### Function

The FZG lock cylinder configuration assures that the cam of the cylinder can always be turned freely, even after key retraction and also if pressure is applied to the cam when operating an emergency push bar.

### Notes

For emergency exit locks, it is important to consider the special requirements placed on the lock cylinder. These requirements can be taken from the certificate of conformity of the respective lock types and must be strictly adhered to.

Double cylinders with FZG function are automatically equipped with the BSZ function; see chapter 'Special functions – BSZ (double key override)'.

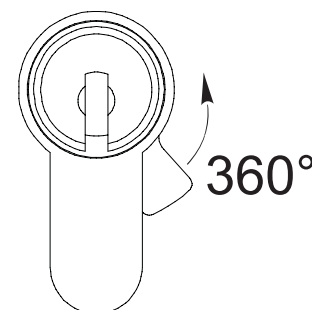
Double cylinders (DZ) are available with an overall length of 70 mm (e.g. 35/35 mm).

Thumbturn cylinders (DKZ) are available with an overall length of 65 mm (e.g. 35/30 mm).

For possible combinations with other special functions see chapter "Combination Options – Special Functions"

### Order code system

Short text .../FZG/... in the order code



# Special Functions

## K.GF | Emergency Key Function

### Application

Anywhere personal privacy is required and at the same time the highest degree of safety for emergency situations must be guaranteed (e.g. in nursing homes).

### Function

The emergency key coupling enables the door to be unlocked even if a key is inserted and turned on the opposite side – however not with a standard key, but with a specially managed and registered emergency key.

### Notes

The emergency key must always be ordered separately (see chapter 'Keys with Systems and Clips').

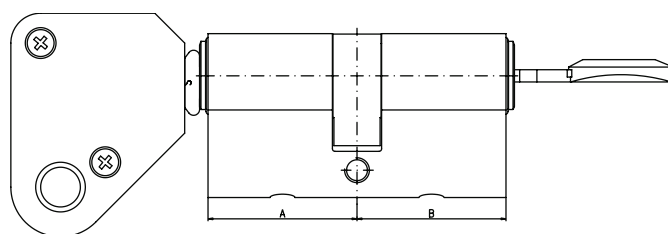
The emergency key function always works on both sides of the cylinder.

The key on the opposite side is turned along with the emergency key.

For possible combinations with other special functions see chapter "Combination Options – Special Functions"

### Order code system

Short text .../GF/... in the order code



# Special Functions

## K.LAM | Steel Reinforcement Plate

### Application

For doors with high security requirements

### Function

Hardened steel plates reinforce the housing yoke.  
Cylinders with steel reinforcement fulfil the requirements of Attack Resistance Grade D of EN1303:2015-08.  
(Classification key: 1/6/0/B/0/C/6/**D**)

### Notes

Cylinders with steel reinforcement must be secured with high-tension fastening screws  
M5 × 80 (8.8) in the door lock (included with the cylinder).

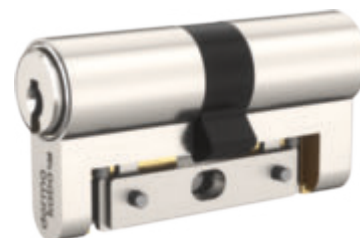
This option is not available for single cylinders. In this case, please use the option pulling protection pin (ZS).

The cylinder housing is available in all standard surface finishes; the steel reinforcement plates are nickel-plated.

For possible combinations with other special functions see chapter "Combination Options – Special Functions"

### Order code system

Short text .../LAM/... in the order code





# Special Functions

## K.VdS | VdS Certification

### Application

Doors with increased security requirements against drilling and pulling are certified by the German test institute VdS Schadenverhütung GmbH (VdS = Vertrauen durch Sicherheit/Inspected-Approved-Safe; <http://vds.de/en/>).

### Function

Increased drilling protection is achieved with up to seven hard-metal pins in the insert, two hardened metal pins with hardened insert fastening screws and an additional insert fastening screw in the housing.

VdS Grade B: the test requirements are met with the insertion of the hardened metal pins

VdS Grade BZ: the basis is the cylinder with steel-reinforced housing. By using additional steel elements in the housing and the insert, the highest test requirements against drilling and pulling are achieved (tested with hard-metal drills and a pulling force of 15 kN).

### Notes

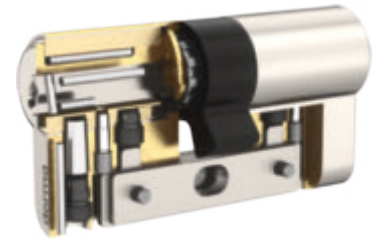
This option is not available for single cylinders. In this case, please use the option pulling protection pin (ZS).

For possible combinations with other special functions see chapter "Combination Options – Special Functions"

### Order code system

Short text .../VdSB/... in the order code

Short text .../VdSBZ/... in the order code



# Special Functions

## K.ZS | Pulling Protection Pin

### Application

For doors with high security requirements

### Function

The cylinder equipped with pulling pins can absorb pulling forces up to 15 kN. The prerequisite is the use of security door hardware with distance plates to fill the empty space between the pulling pin and the door hardware. Distance plates must be ordered separately.

### Notes

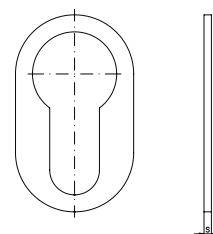
For this function, the cylinder side must be specified. Please specify the respective cylinder sides for the ZS function when ordering.

This function is intended for single cylinders (HZ); as with double and thumbturn cylinders for increased pulling protection, the function LAM is usually preferred.

For possible combinations with other special functions see chapter "Combination Options – Special Functions"

### Order code system

Short text .../ZS-A/... in the order code



# Special Functions

## K.SSW | Dust and Splash Protection

### Application

For all mortise door locks in Euro profile requiring protection against adverse weather and dust.

### Function

Cylinders with dust and weather protection are equipped with two turnable and springloaded plates on the front side of the cylinder. The plates are made of weather-resistant plastic and prevent dust or rainwater from penetrating the cylinder.

### Hinweise

This function is side dependent. Please specify the appropriate side of the cylinder when ordering the SSW function. It can be equipped on both sides.

If door hardware with a cylinder cover and pulling protection is used, depending on the type of door hardware, a key with a longer neck (LR or LK) is required.

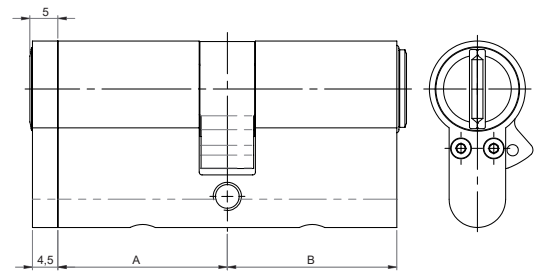
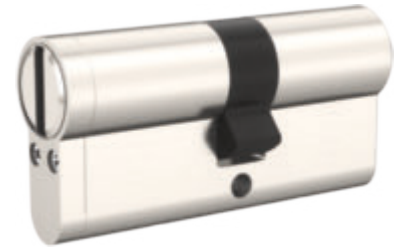
For possible combinations with other special functions, see chapter 'System description, Special functions'.

### Order code system

Short text .../SSW-A/... in the order code

Short text .../SSW-B/... in the order code

Short text .../SSW-AB/... in the order code



# Special Functions

## K.SIS | Dust and Insect Protection

### Application

For selected lock cylinders requiring increased protection against filth penetration and insects. Not restricted to Euro profile cylinders, as the SIS unit is assembled on the insert. Release for other cylinder types on request.

### Function

The key canal is covered by two plates and opened by inserting the key. This offers effective protection against the penetration of filth and insects. The SIS unit can be easily retrofitted. Only the cylinder insert must be replaced.

### Notes

This function is side dependent. Please specify the appropriate cylinder side on which SIS is required when ordering. This function can be equipped on both cylinder sides.

Available with EN1303-B/C/D, DIN18252-82 BZ/BS  
Not available with: VdS-Cylinder, SKG\*\*\*

The SIS unit is always manufactured with the surface finish chemically nickel-plated (NIC) independent of the cylinder.

SIS is available with all key bow types (SK, LK and LR) except for round bow (RR).

For possible combinations with other special functions, see chapter 'System description, Special functions'.

### Order code system

Short text .../SIS-A/... in the order code

Short text .../SIS-B/... in the order code

Short text .../SIS-AB/... in the order code



# Special Functions

## 2004 K.2004 | Insert Weather Protection Cap

### Application

For lock cylinders subject to weather. This protects the cylinder insert from the effects of weather and dust.

Installed in the factory with two screws on the face of the insert. The 2004 cap can be used with all cylinder profiles, camlocks, padlocks, key switch cylinders, etc.

### Notes

This function is side dependent. Please state the appropriate side for the 2004 cap when ordering. It is possible to order the cap on both cylinder sides.

Material: black plastic – the cap can be opened and closed by pressing it with the thumb.

For possible combinations with other special functions, see chapter 'System description, Special functions'.

### Order code system

Short text .../2004-A/... in the order code

Short text .../2004-B/... in the order code

Short text .../2004-AB/... in the order code



Cap open



Cap closed

# Special Functions

## K.KT | Contact Pin

### Application

For applications requiring recognition, whether a key is inserted or not (e.g. elevators)

### Function

When a key is inserted in the keyway, a contact pin protrudes downward and makes an electrical contact, which signals the inserted key. The contact signal is transmitted when the cylinder is unlocked or locked.

### Notes

The switch is not included with the cylinder.

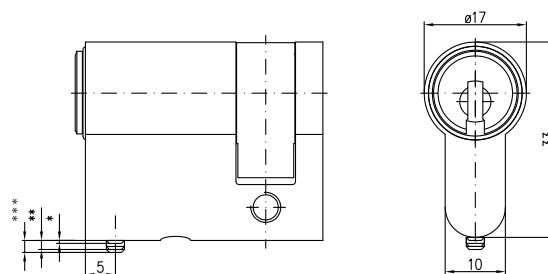
The function can be ordered for either side A or B. It is not available for both sides.

For possible combinations with other special functions, see chapter 'System description, Special functions'.

### Order code system

Short text .../KT-A/... in the order code

Short text .../KT-B/... in the order code



- \* Ausschaltpunkt 0..0,5mm
- \*\* Einschaltpunkt 0,5 .. 1,5mm
- \*\*\* Einschaltüberlauf min. 2mm

# Special Functions

## K.BL | Blind on One Side of the Cylinder

### Application

For all mortise door lock double cylinders and thumbturn cylinders requiring no key on one side of the door.

### Function

Instead of an insert, a blind plug is installed in the selected side of the cylinder.

### Notes

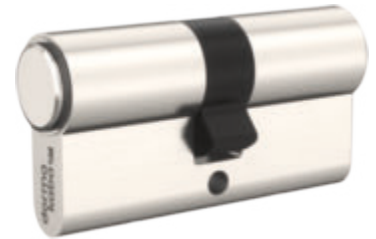
The function is available for either side A or B. It is not available for both sides.

This function is not to be confused with the blind cylinder in the chapter 'Mortise door lock cylinders' (see types K.BDZ, K.BHZ and K.BDKZ).

### Order code system

Short text .../BL-A/... in the order code

Short text .../BL-B/... in the order code



# Mortise Door Lock Cylinders

## Lock Cylinders in Euro profile 17mm

K.DZ | Double Cylinder, Euro Profile

### Application

For all mortise door locks in Euro profile. The cam operates the bolt and latch in door locks with key latch operation.

### Specification

- Housing made from solid natural brass, surface nickel-plated
- Cam type 1414-3
- Reversible key made from nickel silver

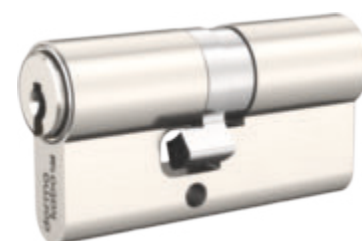
### Included with the cylinder

- Three reversible keys with a plastic clip (specify separately, see chapter 'Keys with systems and clips' for options)
- One cylinder fastening screw M5 × 70 mm
- Security card for ownership registration and ordering duplicate keys
- Installation and maintenance instructions

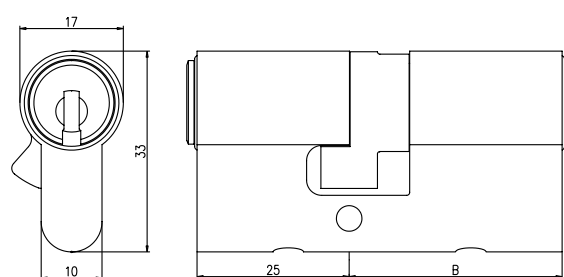
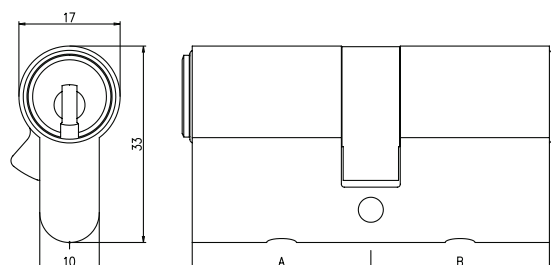
### Order example

- penta (K84)/DZ/30/30/NI/... cylinder options
- expert plus (K83)/DZ/25/45/CRM/... cylinder options

### Cylinder options as follows:



Short cylinder



Short cylinder A = 25 mm



# Mortise Door Lock Cylinders

## Lock Cylinders in Euro profile 17mm

K.DZ | Double Cylinder, Euro Profile

### Technical system

#### - Factory systems

penta (K84)  
quattro plus (K85)  
gemini plus (K87)  
- Dealer systems  
expert cross (K89)  
expert plus (K83)  
expert (K56)  
eco (K82)  
matrix plus (K86, Twincode)  
matrix (K59)  
entro (K91, Twincode)

#### - Legacy systems

penta (K57)  
quattro plus (K58)  
quattro S (K52)  
quattro 1.1 (K51)  
quattro 1.0 (K50S)  
gemini plus (K81)  
gemini T (K54)  
gemini S (K53)  
gemini (K50)  
expert (S) (K56)

### Length A Ø 17 mm EU

#### - Standard lengths per side:

30 to 100 mm in 5 mm steps

#### - Special lengths per side:

From 105 mm in 5 mm steps

#### - Short cylinder:

One cylinder side 25 mm, minimum total length of 60 mm

The first length in the order code is always referring to the outside of the cylinder.

### Surface DZ side A

Nickel-plated (NI)  
Brass, dull (MS)  
Chemical nickel-plated (NIC)  
Chrome-plated (CR)  
Chrome, satin (CRM)  
Chrome, polished (CRP)  
Brass, polished (MP)  
Brass, polished unlacquered (MP-UNL)  
Brass, full polished (MP-FULL)  
Bronzed light (BH)  
Bronzed medium (BM)  
Bronzed dark (BD)  
Antique (ALTB)

### Surface insert side A

The insert surface corresponds to the cylinder surface as standard.

### Coupling function

Double key override (BSZ)  
Priority function side A (PF-A)  
Priority function side B (PF-B)  
Freewheel cylinder for gear operated or panic locks (FZG)  
Emergency key function (GF)

### Key movement

Relative movement 6-9 right (RB\_6-9\_R)  
Relative movement 6-12 right (RB\_6-12\_R)  
Relative movement 11-1 right (RB\_11-1\_R)  
Relative movement 6-9 left (RB\_6-9\_L)  
Relative movement 6-12 left (RB\_6-12\_L)  
Relative movement 6-3 left (RB\_6-3\_L)

### Cam

Biffar, 2-nosed cam (BIFF\_2nose)  
4-nosed cam (4nose)  
Cogwheel cam z = 10 (ZR10)  
Cogwheel cam z = 18 (ZR18)  
Universal cam 98-4-001 (UNIV)  
Cam for cylinder with relative movement (CAM\_RB)

Illustrations in the following:

### Cam with screw

Standard: 30°  
Optional: 0° to 360° in 15° steps

### Certificate/Standard side A

Without certificate (no\_NORM)  
EN1303-0 (EN1303-0)  
EN1303-B (EN1303B)  
EN1303-C (EN1303C)  
EN1303-D (EN1303D)  
DIN18252-B (DIN18252-B)  
DIN18252-C (DIN18252-C)  
DIN18252-D (DIN18252-D)  
VdS-B (VdSB)  
VdS-BZ (VdSBZ)  
SKG\*\* (SKG\*\*)  
SKG\*\*\* (SKG\*\*\*)  
a2p\* (a2p\*)  
a2p\*\*\* (a2p\*\*\*)

# Mortise Door Lock Cylinders

## Lock Cylinders in Euro profile 17mm

K.DZ | Double Cylinder, Euro Profile

### Drilling and pulling protection side A

Steel reinforcement plate (LAM)  
 Pulling protection pin (ZS-A)  
 Drilling protection BS1 (BS1-A)  
 Drilling protection BS2 (BS2-A)  
 Anti-drill and pulling protection BZ LAM (BZ-LAM)  
 Anti-drill and pulling protection BS2-ZS (BS2-ZS)  
 Anti-drill and pulling protection BS2-LAM (BS2-LAM)

### Drilling and pulling protection side B

Drilling protection BS1 (BS1-B)  
 Drilling protection BS2 (BS2-B)

### Access function

Duplo function side A (DF-A)  
 Duplo function side B (DF-B)  
 Duplo function side A and B (DF-AB)  
 Service functions SAT1 A + SAT1 B (SAT1-A\_SAT1-B)  
 Service functions SAT2 A + SAT1 B (SAT2-A\_SAT1-B)

### Construction time function

Construction time function - double life (BAZ)  
 Construction time function - triple life (BAZ3)

### Dust cover

Dust and splash protection side A (SSW-A)  
 Dust and splash protection side B (SSW-B)  
 Dust and splash protection side A and B (SSW-AB)  
 Insert dust protection cap 2004 side A (2004-A)  
 Insert dust protection cap 2004 side B (2004-B)  
 Insert dust protection cap 2004 side A and B (2004-AB)  
 Dust and insect protection cap SIS side A (SIS-A)  
 Dust and insect protection cap SIS side B (SIS-B)  
 Dust and insect protection cap SIS side A and B (SIS-AB)

### Blind one side

One-sided blind side A (BL-A)  
 One-sided blind side B (BL-B)

### Function hous. side A

Special length 32/48 mm, 32/43 mm (AK728)  
 Special length 32.5/32.5 mm (AK345)

### Tumbler pins

Pins rust-free (ZH\_RF)

### Contact pin

Contact pin side A (KT-A)  
 Contact pin side B (KT-B)

### Function insert side B

Hotel occupied signal pin side B (AK576-B)

### Function insert side A

Hotel occupied signal pin side A (AK576-A)

### Backmilled side A

Backmilled 1 mm side A (RG1-A)  
 Backmilled 2 mm side A (RG2-A)  
 Backmilled 3 mm side A (RG3-A)  
 Backmilled 3.6 mm side A (RG3.6-A)  
 Backmilled 4 mm side A (RG4-A)  
 Backmilled 5 mm side A (RG5-A)  
 Backmilled 6 mm side A (RG6-A)  
 Backmilled 7 mm side A (RG7-A)  
 Backmilled 8 mm side A (RG8-A)  
 Backmilled 9 mm side A (RG9-A)  
 Backmilled 10 mm side A (RG10-A)  
 Backmilled 11 mm side A (RG11-A)  
 Backmilled 12 mm side A (RG12-A)

### Backmilled side B

Backmilled 1 mm side B (RG1-B)  
 Backmilled 2 mm side B (RG2-B)  
 Backmilled 3 mm side B (RG3-B)  
 Backmilled 3.6 mm side B (RG3.6-B)  
 Backmilled 4 mm side B (RG4-B)  
 Backmilled 5 mm side B (RG5-B)  
 Backmilled 6 mm side B (RG6-B)  
 Backmilled 7 mm side B (RG7-B)  
 Backmilled 8 mm side B (RG8-B)  
 Backmilled 9 mm side B (RG9-B)  
 Backmilled 10 mm side B (RG10-B)  
 Backmilled 11 mm side B (RG11-B)  
 Backmilled 12 mm side B (RG12-B)

### Cylinder fastening screw

Without cylinder fastening screw (no\_BS)  
 Screw M5 × 65 mm (BS\_M5x65)  
 Screw M5 × 75 mm (BS\_M5x75)  
 Screw M5 × 80 mm (BS\_M5x80)  
 Screw M5 × 85 mm (BS\_M5x85)

# Cams - Reversible Key Systems

Order code short text	Description	Dimensional Drawing
1414-3	Standard cam	
BIFB_2nose	Biffar, 2 nosed cam	
4nose	4 nosed cam	
ZR10	Cogwheel cam z=10 with 10 teeth	
ZR18	Cogwheel cam z=18 with 18 teeth	
UNIV	Universal cam 98-4-001 (UNIV)	
CAM_RB	Cam for cylinder with relative movement	

# Mortise Door Lock Cylinders

## Lock Cylinders in Euro profile 17mm

K.HZ | Single Cylinder, Euro Profile

### Application

For all mortise door locks in Euro profile for key operation on one side of the door. The cam operates the latch and/or bolt of the door lock with a key latch operation function. The cam can be set in steps of 30° from 0° or 15°.

### Specification

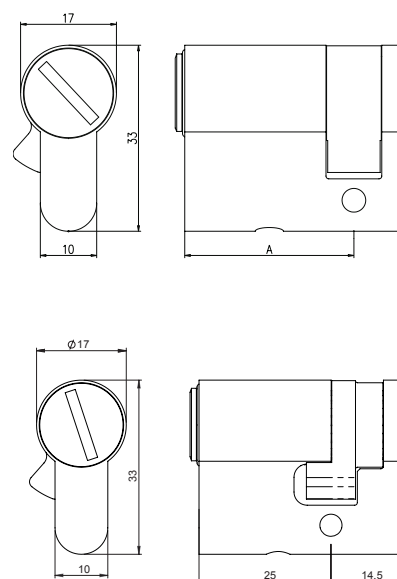
- Housing made from solid natural brass, surface nickel-plated
- Cam type 1414-3
- Reversible key made from nickel silver

### Included with the cylinder

- Three reversible keys with a plastic clip (specify separately, see chapter 'Keys with systems and clips' for options)
- One cylinder fastening screw M5 × 70 mm
- Security card for ownership registration and ordering duplicate keys
- Installation and maintenance instructions

### Order example

- penta (K84)/HZ/30/NI/... cylinder options
- expert plus (K83)/HZ/45/CRM/... cylinder options



### Cylinder options as follows:

#### Technical system

##### - Factory systems

penta cross (K90)  
penta (K84)  
quattro plus (K85)  
gemini plus (K87)

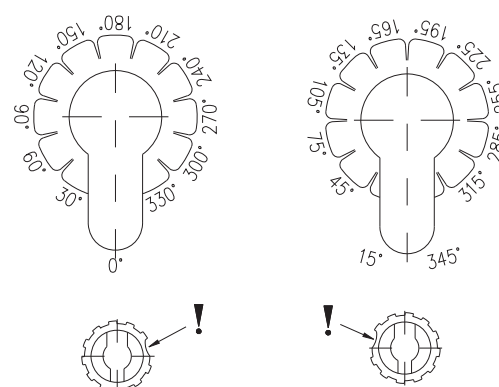
##### - Dealer systems

expert cross (K89)  
expert plus (K83)  
expert (K56)  
eco (K82)  
matrix plus (K86, Twincode)  
matrix (K59)  
entro (K91, Twincode)

##### - Legacy systems

penta (K57)  
quattro plus (K58)  
quattro S (K52)  
quattro 1.1 (K51)  
quattro 1.0 (K50S)  
gemini plus (K81)

Short cylinder dim. A = 25 mm



Cam positions for single cylinder

# Mortise Door Lock Cylinders

## Lock Cylinders in Euro profile 17mm

K.HZ | Single Cylinder, Euro Profile

gemini T (K54)  
gemini S (K53)  
gemini (K50)  
expert (S) (K56)

### Length A Ø 17 mm EU

#### - Standard lengths:

25 to 100 mm in 5 mm steps

#### - Special lengths:

From 105 mm in 5 mm steps

### Surface cylinder

Nickel-plated (NI)  
Brass, dull (MS)  
Nickel-plated chemically (NIC)  
Chrome-plated (CR)  
Chrome, satin (CRM)  
Chrome, polished (CRP)  
Brass, polished (MP)  
Brass, polished unlacquered (MP-UNL)  
Brass, full polished (AK830)  
Bronzed light (BH)  
Bronzed medium (BM)  
Bronzed dark (BD)  
Antique (ALTB)

### Surface insert side A

The insert surface corresponds to the cylinder surface as standard.

### Coupling function

Freewheel cylinder for gear operated or panic locks (FZG)

### Key movement

Selection of the start and end positions of the restricted movement (by specifying the positions using the 1–12 clock hand positions), including the direction of the turn (right/left)

Example: relative movement 6–9 right (RB\_6-9\_R)

### Cam

Biffar, 2-nosed cam (BIFF\_2nose)  
4-nosed cam (4nose)  
Cogwheel cam z = 10 (ZR10)  
Cogwheel cam z = 18 (ZR18)  
Universal cam 98-4-001 (UNIV)  
Cam for cylinder with relative movement (CAM\_RB)

For illustrations

### Cam with screw

Standard: 30°

Optional: 0° to 360° in 15° steps

### Key removal

1 × 360° (1x360)

2 × 180° (2x180)

2 × 35° (2x35)

### Certificate/Standard side A

Without certificate (no\_NORM)

EN1303-0 (EN1303-0)

EN1303-B (EN1303B)

EN1303-C (EN1303C)

DIN18252-B (DIN18252-B)

DIN18252-C (DIN18252-C)

DIN18252-D (DIN18252-D)

VdS-B (VdSB)

VdS-BZ (VdSBZ)

SKG\*\* (SKG\*\*)

SKG\*\*\* (SKG\*\*\*)

a2p\* (a2p\*)

### Drilling and pulling protection side A

Pulling protection pin (ZS-A)

Drilling protection BS1 (BS1-A)

Drilling protection BS2 (BS2-A)

Anti-drill and pulling protection BS2-ZS (BS2-ZS)

### Access function

Duplo function (DF)

Service function SAT1 (SAT1)

Service function SAT2 (SAT2)

### Construction time function

Construction time function - double life (BAZ)

Construction time function - triple life (BAZ3)

### Dust cover

Dust and splash protection side A (SSW-A)

Insert dust protection cap 2004 side A (2004-A)

Dust and insect protection cap SIS side A (SIS-A)

### Blind one side

One-sided blind side A (BL-A)

### Function hous. side A

Insert fastening screw in front (AK481)

Threaded boreholes on cylinder back side 2 × M3 (AK1002)

Threaded boreholes on cylinder back side 2 × M4 (AK1004)

# Mortise Door Lock Cylinders

## Lock Cylinders in Euro profile 17mm

K.HZ | Single Cylinder, Euro Profile

### **Tumbler pins**

Pins rust-free (ZH\_RF)

### **Contact pin**

Contact pin (KT)

### **Backmilled side A**

Backmilled 1 mm side A (RG1-A)

Backmilled 2 mm side A (RG2-A)

Backmilled 3 mm side A (RG3-A)

Backmilled 3.6 mm side A (RG3.6-A)

Backmilled 4 mm side A (RG4-A)

Backmilled 5 mm side A (RG5-A)

Backmilled 6 mm side A (RG6-A)

Backmilled 7 mm side A (RG7-A)

Backmilled 10 mm side A (RG10-A)

Backmilled 12 mm side A (RG12-A)

### **Cylinder fastening screw**

Screw M5 × 65 mm (BS\_M5x65)

Screw M5 × 75 mm (BS\_M5x75)

Screw M5 × 80 mm (BS\_M5x80)

Screw M5 × 85 mm (BS\_M5x85)

# Mortise Door Lock Cylinders

## Lock Cylinders in Euro profile 17mm

### K.DKZ | Thumbturn Cylinder, Euro Profile

#### Application

For all mortise door locks in Euro profile. The thumbturn knob is installed on the inside

#### Specification

- Housing made from solid natural brass, surface nickel-plated
- Knob round, nickel-plated (RK) – variations, see the following pages
- Cam type 1414-3
- Reversible key made from nickel silver

#### Included with the cylinder

- Three reversible keys with a plastic clip (specify separately, see chapter 'Keys with systems and clips' for options)
- One cylinder fastening screw M5 × 70 mm
- Security card for ownership registration and ordering duplicate keys
- Installation and maintenance instructions

#### Order example

- penta (K84)/DKZ/30/30/NI/... cylinder options
- expert plus (K83)/DKZ/35/45/MP/... cylinder options

#### Cylinder options as follows:

##### Technical system

##### - Factory systems

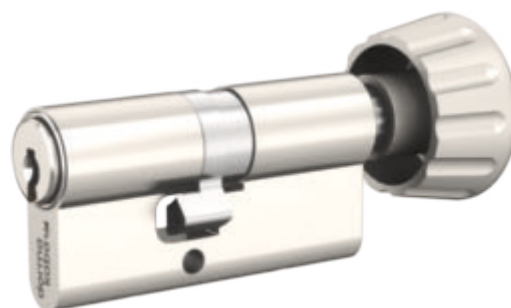
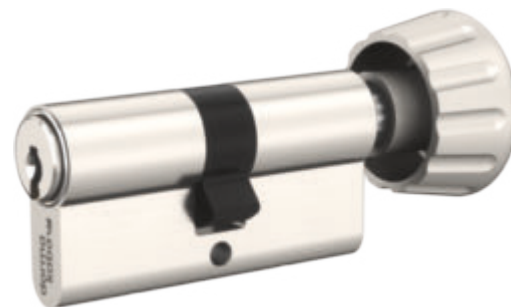
penta cross (K90)  
penta (K84)  
quattro plus (K85)  
gemini plus (K87)

##### - Dealer systems

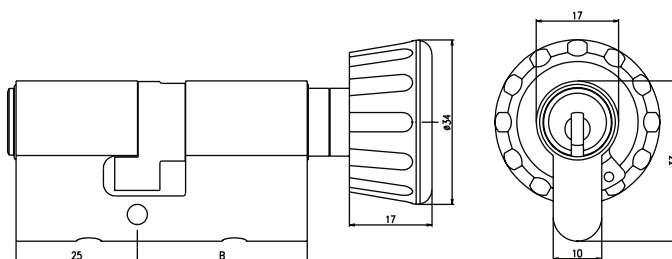
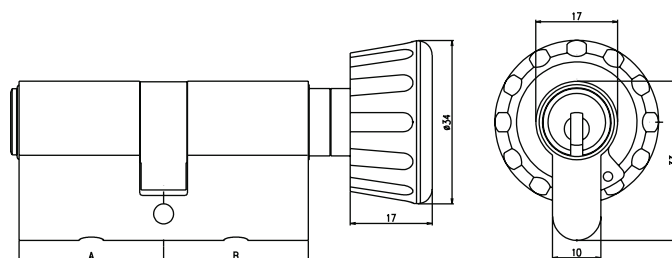
expert cross (K89)  
expert plus (K83)  
expert (K56)  
eco (K82)  
matrix plus (K86, Twincode)  
matrix (K59)  
entro (K91, Twincode)

##### - Legacy systems

penta (K57)  
quattro plus (K58)  
quattro S (K52)  
quattro 1.1 (K51)  
quattro 1.0 (K50S)  
gemini plus (K81)  
gemini T (K54)



Short cylinder



Short cylinder dim. A = 25 mm

# Mortise Door Lock Cylinders

## Lock Cylinders in Euro profile 17mm

### K.DKZ | Thumbturn Cylinder, Euro Profile

gemi S (K53)  
gemi (K50)  
expert (S) (K56)

#### Length A Ø 17 mm EU

##### - Standard lengths per side:

30 to 100 mm in 5 mm steps

##### - Special lengths per side:

From 105 mm in 5 mm steps

##### - Short cylinder:

One cylinder side 25 mm, minimum total length of 60 mm

#### Surface DZ side A

Nickel-plated (NI)  
Brass, dull (MS)  
Chemical nickel-plated (NIC)  
Chrome-plated (CR)  
Chrome, satin (CRM)  
Chrome, polished (CRP)  
Brass, polished (MP)  
Brass, polished unlacquered (MP-UNL)  
Brass, full polished (MP-FULL)  
Bronzed light (BH)  
Bronzed medium (BM)  
Bronzed dark (BD)  
Antique (ALTB)

#### Surface insert side A

The insert surface corresponds to the cylinder surface as standard.

#### Knob/thumbturn side B

Round knob (RKG)  
Design thumbturn (DK)  
Mega knob (MK)  
Mega knob reduced (MK-AK237)  
Oval knob D-line (OKD)  
Oval knob (OK)  
Freedom knob (FK)  
Rectangular knob (EK)  
Eccentric knob (DK-AK151)  
Lever knob (DK-AK583)  
Prison knob (DK-AK654)  
Special knob design (DK-AK758)  
Hewi knob (DK-HK32)

Illustrations in the following:

#### Coupling function

Priority function side A (PF-A)  
Freewheel cylinder for gear operated or panic locks (FZG)  
Hotel room function (AK527)

#### Key movement

Relative movement 6-12 right (RB\_6-12\_R)  
Relative movement 9-3 left (RB\_9-3\_L)

#### Cam

Biffar, 2-nosed cam (BIFF\_2nose)  
4-nosed cam (4nose)  
Cogwheel cam z = 10 (ZR10)  
Cogwheel cam z = 18 (ZR18)  
Universal cam 98-4-001 (UNIV)  
Cam for cylinder with relative movement (CAM\_RB)

For illustrations

#### Cam with screw

Standard: 30°  
Optional: 0° to 360° in 15° steps

#### Certificate/Standard side A

Without certificate (no\_NORM)  
EN1303-0 (EN1303-0)  
EN1303-B (EN1303B)  
EN1303-C (EN1303C)  
EN1303-D (EN1303D)  
DIN18252-B (DIN18252-B)  
DIN18252-C (DIN18252-C)  
DIN18252-D (DIN18252-D)  
SKG\*\* (SKG\*\*)  
SKG\*\*\* (SKG\*\*\*)  
a2p\* (a2p\*)  
a2p\*\*\* (a2p\*\*\*)

#### Drilling and pulling protection side A

Steel reinforcement plate (LAM)  
Pulling protection pin (ZS-A)  
Drilling protection BS1 (BS1-A)  
Drilling protection BS2 (BS2-A)  
Anti-drill and pulling protection BZ LAM (BZ-LAM)  
Anti-drill and pulling protection BS2-ZS (BS2-ZS)  
Anti-drill and pulling protection BS2-LAM (BS2-LAM)

#### Access function

With duplo function side A (DF-A)  
Service function SAT1 (SAT1)  
Service function SAT2 (SAT2)



# Mortise Door Lock Cylinders

## Lock Cylinders in Euro profile 17mm

K.DKZ | Thumbturn Cylinder, Euro Profile

### Construction time function

Construction time function - double life (BAZ)

Construction time function - triple life (BAZ3)

### Special function

Square key drive 8 mm side A (AK768)

Triangle key drive 8.1 mm (AK824)

Triangle key drive 14 mm (AK340)

### Special function side B

Long knob rotor 54 mm (AK396)

Long knob rotor 70 mm (AK650)

Long knob rotor 80 mm (AK297)

### Dust cover

Dust and splash protection side A (SSW-A)

Insert dust protection cap 2004 side A (2004-A)

Dust and insect protection cap SIS side A (SIS-A)

### Function hous. side A

Special length 32/48 mm, 32/43 mm (AK728)

Special length 32.5/32.5 mm (AK345)

### Function hous. side B

Restricted movement cylinder CW (RMC-CW)

Restricted movement cylinder CCW (RMC-CCW)

### Tumbler pins

Pins rust-free (ZH\_RF)

### Contact pin

Contact pin side A (KT-A)

### Backmilled side A

Backmilled 1 mm side A (RG1-A)

Backmilled 2 mm side A (RG2-A)

Backmilled 3 mm side A (RG3-A)

Backmilled 3.6 mm side A (RG3.6-A)

Backmilled 4 mm side A (RG4-A)

Backmilled 5 mm side A (RG5-A)

Backmilled 6 mm side A (RG6-A)

Backmilled 7 mm side A (RG7-A)

Backmilled 10 mm side A (RG10-A)

Backmilled 12 mm side A (RG12-A)

### Backmilled side B

Backmilled 1 mm side B (RG1-B)

Backmilled 2 mm side B (RG2-B)

Backmilled 3 mm side B (RG3-B)

Backmilled 3.6 mm side B (RG3.6-B)

Backmilled 4 mm side B (RG4-B)

Backmilled 5 mm side B (RG5-B)

Backmilled 6 mm side B (RG6-B)

Backmilled 7 mm side B (RG7-B)

Backmilled 10 mm side B (RG10-B)

Backmilled 12 mm side B (RG12-B)

### Cylinder fastening screw

Without cylinder fastening screw (no\_BS)

Screw M5 × 65 mm (BS\_M5x65)


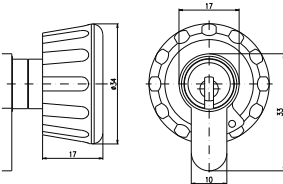

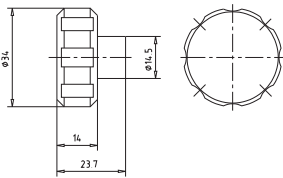

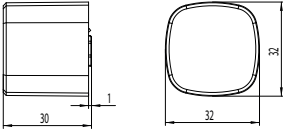

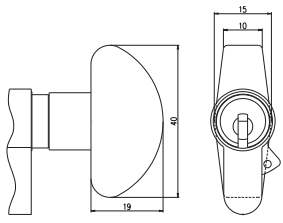

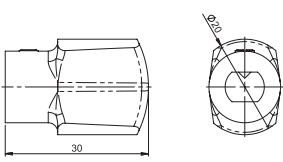

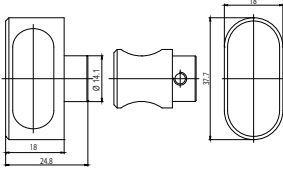

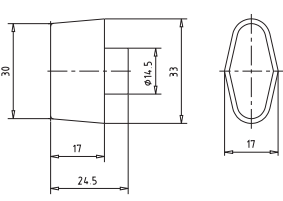
Screw M5 × 75 mm (BS\_M5x75)

Screw M5 × 80 mm (BS\_M5x80)

Screw M5 × 85 mm (BS\_M5x85)


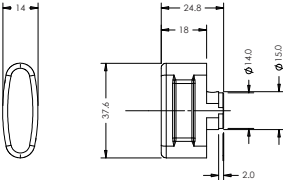

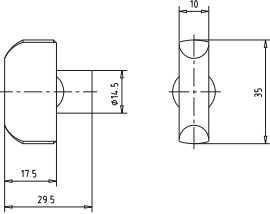

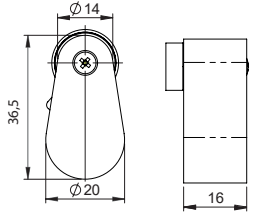
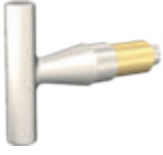
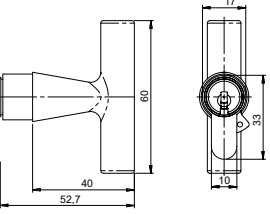

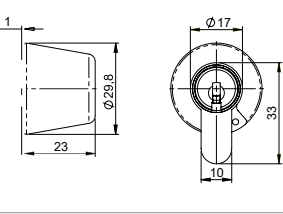

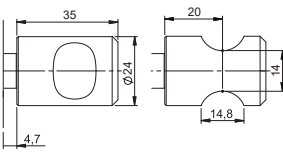

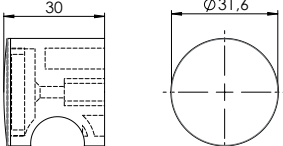
# Cylinder Knobs

K.DKZ | Thumbturn Cylinders Reversible Key Systems

Order code short text	Type	Image	Dimensional drawing
RK	Round knob - Standard Surface finishes: Nickel plated (NI) Chrome plated dull (CRM) Chrome plated polished (CRP) Brass dull (MS) Brass polished (MP) Brown medium (BM)		
RKG	Round knob Surface finish: Nickel plated (NI)		
DK	Design knob Surface finish: Nickel plated (NI)		
MK	Mega knob Surface finishes: Nickel plated (NI) Brass polished (MP)		
MK-AK237	Mega knob reduced Surface finish: Nickel plated (NI)		
OKD	Oval knob D-Line Surface finish: Nickel plated (NI)		
OK	Oval knob Surface finishes: Nickel plated (NI) Chrome plated (CR) Chrome plated dul (CRM) Chrome plated polished (CRP) Brass dull (MS) Brass polished (MP) Brown dark (BD) Brown medium (BM)		

# Cylinder Knobs

K.DKZ | Thumbturn Cylinders Reversible Key Systems

Order code short text	Type	Image	Dimensional drawing
FK	Freedom knob Surface finishes: Nickel plated (NI) Brown dark (BD) Brown medium (BM)		
EK	Rectangular knob Surface finish: Nickel plated (NI)		
DK-AK151	Excentric knob Surface finishes: Nickel plated (NI) Brass dull (MS) Brass polished (MP)		
DK-AK583	Lever knob Surface finish: Nickel plated (NI)		
DK-AK654	Prison door knob Surface finish: Nickel plated (NI)		
DK-AK758	Special design knob Surface finishes: Nickel plated (NI) Chrome plated (CR) Chrome plated polished (CRP)		
DK-HK32	HEWI knob Colours: red further colours on request		

# Mortise Door Lock Cylinders

## Lock Cylinders in Euro profile 17mm

K.DZ\_TIC | Thermally Insulated Double Cylinder, Euro Profile

### Application

For all mortise door locks in Euro profile. The cam operates the bolt and latch in door locks with key latch operation.

Especially suitable for buildings in passive house standard and arcade doors, as condensation is hindered on the inside of the door.

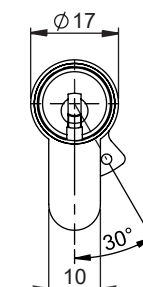
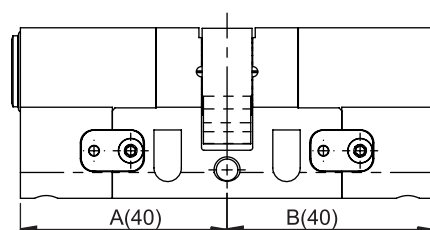


### Specification

- Housing made from solid natural brass, surface nickel-plated
- Cam type 1414-3
- Reversible key made from nickel silver

### Included with the cylinder

- Three reversible keys with a plastic clip (specify separately, see chapter 'Keys with systems and clips' for options)
- One foam rubber seal
- One cylinder fastening screw M5 × 70 mm
- Security card for ownership registration and ordering duplicate keys
- Installation and maintenance instructions



### Order example

- penta (K84)/DZ/TIC/40/40/NI/... cylinder options
- expert plus (K83)/DZ/TIC/35/50/MS/... cylinder options

### Cylinder options as follows:

#### Technical system

##### - Factory systems

- penta cross (K90)
- penta (K84)
- quattro plus (K85)
- gemini plus (K87)

##### - Dealer systems

- expert cross (K89)
- expert plus (K83)
- expert (K56)
- eco (K82)
- matrix (K59)

##### - Legacy systems

- penta (K57)
- quattro plus (K58)
- quattro S (K52)
- quattro 1.1 (K51)
- quattro 1.0 (K50S)
- gemini plus (K81)

# Mortise Door Lock Cylinders

## Lock Cylinders in Euro profile 17mm

K.DZ\_TIC | Thermally Insulated Double Cylinder, Euro Profile

gemi T (K54)  
gemi S (K53)  
gemi (K50)  
expert (S) (K56)

### Length A Ø 17 mm EU

Cylinder lengths per side: 35 to 100 mm in 5 mm steps  
Minimum overall length: 80 mm (minimum 35/45 or 40/40)

### Surface DZ side A

Nickel-plated (NI)  
Brass, dull (MS)

### Coupling function

Double key override (BSZ)

### Cam

Standard cam  
Biffar, 2-nosed cam (BIFF\_2nose)  
4-nosed cam (4nose)  
Cogwheel cam z = 10 (ZR10)  
Cogwheel cam z = 18 (ZR18)

For illustrations

### Cam with screw

Standard: 30°  
Optional: 0° to 360° in 15° steps

### Certificate/Standard side A

Without certificate (no\_NORM)  
EN1303-B (EN1303B)  
TIC cylinders are certified according to:  
- Fire resistance test EN 1634-1  
- Driving rain resistance to Austrian standard ÖNORM EN 12208 Grade E1050

### Construction time function

No construction key system  
Construction time function - double life (BAZ)  
Construction time function - triple life (BAZ3)

### Dust cover

Dust and insect protection cap SIS side A (SIS-A)  
Dust and insect protection cap SIS side B (SIS-B)  
Dust and insect protection cap SIS side A and B (SIS-AB)

### Cylinder fastening screw

Without cylinder fastening screw (no\_BS)  
Screw M5 × 65 mm (BS\_M5x65)  
Screw M5 × 70 mm (BS\_M5x70)  
Screw M5 × 75 mm (BS\_M5x75)  
Screw M5 × 80 mm (BS\_M5x80)  
Screw M5 × 85 mm (BS\_M5x85)

# Mortise Door Lock Cylinders

## Lock Cylinders in Euro profile 17mm

K.DKZ\_TIC | Thermally Insulated Thumbturn Cylinder, Euro Profile

### Application

For all mortise door locks in Euro profile. The thumbturn knob is installed on the inside  
Especially suitable for buildings in passive house standard and arcade doors, as condensation is hindered on the inside of the door.

### Specification

- Housing made from solid natural brass, surface nickel-plated
- Reversible key made from nickel silver

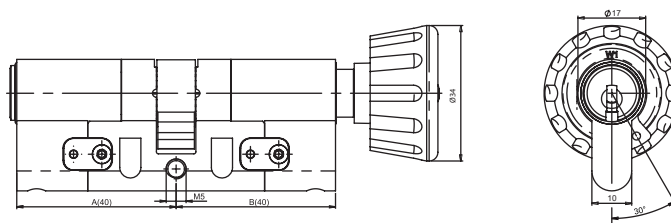
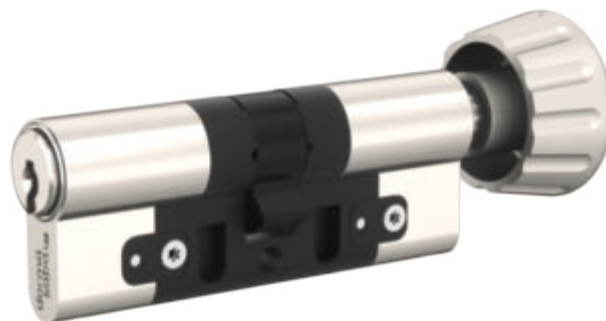
### Included with the cylinder

- Three reversible keys with a plastic clip (specify separately, see chapter 'Keys with systems and clips' for options)
- One foam rubber seal
- One cylinder fastening screw M5 × 70 mm
- Security card for ownership registration and ordering duplicate keys
- Installation and maintenance instructions

### Order example

- penta (K84)/DKZ/TIC/40/40/NI/... cylinder options
- expert plus (K83)/DKZ/TIC/35/50/MS/... cylinder options

### Cylinder options as follows:



# Mortise Door Lock Cylinders

## Lock Cylinders in Euro profile 17mm

K.DKZ\_TIC | Thermally Insulated Thumbturn Cylinder, Euro Profile

### Technical system

#### - Factory systems

penta (K84)  
quattro plus (K85)  
gemini plus (K87)

#### - Dealer systems

expert plus (K83)  
expert (K56)  
eco (K82)  
matrix (K59)

#### - Legacy systems

penta (K57)  
quattro plus (K58)  
quattro S (K52)  
quattro 1.1 (K51)  
quattro 1.0 (K50S)  
gemini plus (K81)  
gemini T (K54)  
gemini S (K53)  
gemini (K50)  
expert (S) (K56)

### Length A Ø 17 mm EU

Cylinder lengths per side: 35 to 100 mm in 5 mm steps  
Minimum overall length: 80 mm (minimum 35/45 or 40/40)

### Surface DZ side A

Nickel-plated (NI)  
Brass, dull (MS)

### Knob/thumbturn side B

Round knob - standard (RK)  
Round knob (RKG)  
Design thumbturn (DK)  
Mega knob (MK)  
Oval knob D-line (OKD)  
Oval knob (OK)

For illustrations

### Coupling function

Standard coupling

### Cam

Biffar, 2-nosed cam (BIFF\_2nose)  
4-nosed cam (4nose)  
Cogwheel cam z = 10 (ZR10)  
Cogwheel cam z = 18 (ZR18)

For illustrations

### Cam with screw

Standard: 30°  
Optional: 0° to 360° in 15° steps

### Certificate/Standard side A

TIC cylinders are certified according to:  
- Fire resistance test EN 1634-1  
- Driving rain resistance to Austrian standard ÖNORM EN 12208 Grade E1050

### Construction time function

Construction time function - double life (BAZ)  
Construction time function - triple life (BAZ3)

### Cylinder fastening screw

Without cylinder fastening screw (no\_BS)  
Screw M5 × 65 mm (BS\_M5x65)  
Screw M5 × 70 mm (BS\_M5x70)  
Screw M5 × 75 mm (BS\_M5x75)  
Screw M5 × 80 mm (BS\_M5x80)  
Screw M5 × 85 mm (BS\_M5x85)

# Mortise Door Lock Cylinders

## Mortise Door Lock Cylinders without System

BDZ | Blind Double Cylinder, Euro Profile

### Application

For all mortise door locks in Euro profile requiring no key operation in the door

### Specification

- Housing made from solid natural brass, surface nickel-plated
- Housing is supplied in solid natural brass with nickel-plating. No system designation is required. Standard blind cylinders are not drilled for inserts and are stocked in many lengths.

### Included with the cylinder

- One cylinder fastening screw M5 × 70 mm

### Order example

- BDZ/30/30/NI
- BDZ/15/50/CR

### Cylinder options as follows:

#### Length A 17 mm EU

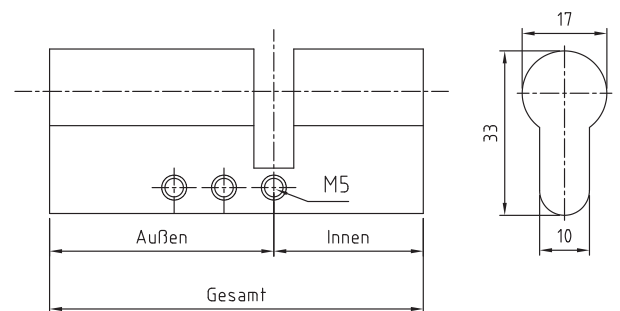
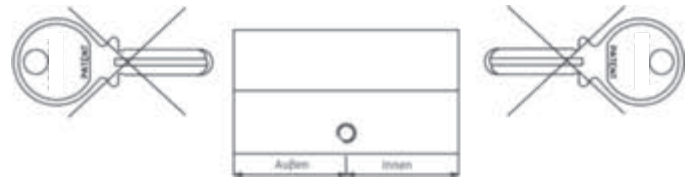
Length per side: 15 to 200 mm in 5 mm steps

#### Surface DZ side A

- Nickel-plated (NI)
- Brass, dull (MS)
- Chrome-plated (CR)
- Chrome, satin (CRM)
- Chrome, polished (CRP)
- Chrome, scotch (CRS)
- Brass, polished (MP)
- Brass, brushed (MB)
- Bronzed light (BH)
- Bronzed medium (BM)
- Bronzed dark (BD)

#### Cylinder fastening screw

- Screw M5 × 50 mm (BS\_M5x50)
- Screw M5 × 65 mm (BS\_M5x65)
- Screw M5 × 70 mm (BS\_M5x70)
- Screw M5 × 75 mm (BS\_M5x75)
- Screw M5 × 80 mm (BS\_M5x80)
- Screw M5 × 85 mm (BS\_M5x85)





# Mortise Door Lock Cylinders

## Mortise Door Lock Cylinders without System

BHZ | Blind Single Cylinder, Euro Profile

### Application

For all mortise door locks in Euro profile requiring no key operation in the door

### Specification

- Housing made from solid natural brass, surface nickel-plated
- Housing is supplied in solid natural brass with nickel-plating. No system designation is required. Standard blind cylinders are not drilled for inserts and are stocked in many lengths.



### Included with the cylinder

- One cylinder fastening screw M5 × 70 mm

### Order example

- BHZ/25/NI
- BHZ/55/CR

### Cylinder options as follows:

#### Length A 17 mm EU

Length per side: 25 to 120 mm in 5 mm steps

#### Surface cylinder

Nickel-plated (NI)  
 Brass, dull (MS)  
 Chrome-plated (CR)  
 Chrome, satin (CRM)  
 Chrome, polished (CRP)  
 Chrome, scotch (CRS)  
 Brass, polished (MP)  
 Brass, brushed (MB)  
 Bronzed light (BH)  
 Bronzed medium (BM)  
 Bronzed dark (BD)

#### Cylinder fastening screw

Screw M5 × 50 mm (BS\_M5x50)  
 Screw M5 × 65 mm (BS\_M5x65)  
 Screw M5 × 70 mm (BS\_M5x70)  
 Screw M5 × 75 mm (BS\_M5x75)  
 Screw M5 × 80 mm (BS\_M5x80)  
 Screw M5 × 85 mm (BS\_M5x85)

# Mortise Door Lock Cylinders

## Mortise Door Lock Cylinders without System

2090000274 K.BDKZ | Blind Thumbturn Cylinder, Euro Profile

### Specification

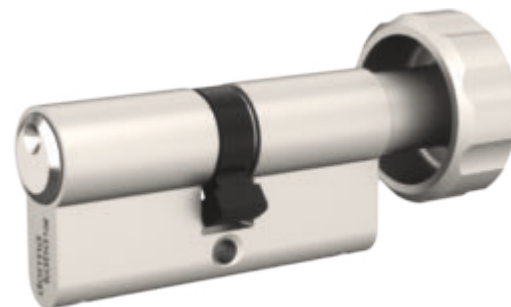
- Housing made from solid natural brass, surface nickel-plated

### Included with the cylinder

- One cylinder fastening screw M5 × 70 mm
- Installation and maintenance instructions

### Order example

- K/BDKZ/30/30/NI/... cylinder options
- K/BDKZ/25/45/MP/... cylinder



### Cylinder options as follows:

#### Length A Ø 17 mm EU

##### - Standard lengths per side:

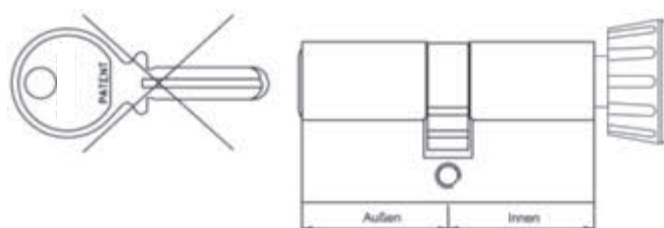
30 to 100 mm in 5 mm steps

##### - Special lengths per side:

From 105 mm in 5 mm steps

##### - Short cylinder:

One cylinder side 25 mm, minimum total length of 60 mm



### Surface DZ side A

- Nickel-plated (NI)
- Brass, dull (MS)
- Chemical nickel-plated (NIC)
- Chrome-plated (CR)
- Chrome, satin (CRM)
- Chrome, polished (CRP)
- Brass, polished (MP)
- Bronzed light (BH)
- Bronzed medium (BM)
- Bronzed dark (BD)

### Surface insert side A

The insert surface corresponds to the cylinder surface as standard.

### Knob/thumbturn side B

- Round knob - standard (RK)
- Round knob (RKG)
- Design thumbturn (DK)
- Mega knob (MK)
- Mega knob reduced (MK-AK237)
- Oval knob D-line (OKD)
- Oval knob (OK)
- Freedom knob (FK)
- Rectangular knob (EK)
- Eccentric knob (DK-AK151)

# Mortise Door Lock Cylinders

## Mortise Door Lock Cylinders without System

2090000274 K.BDKZ | Blind Thumbturn Cylinder, Euro Profile

Lever knob (DK-AK583)  
 Prison knob (DK-AK654)  
 Special knob design (DK-AK758)  
 Hewi knob (DK-HK32)

For illustrations

### Cam

Standard cam  
 Biffar, 2-nosed cam (BIFF\_2nose)  
 4-nosed cam (4nose)  
 Cogwheel cam z = 10 (ZR10)  
 Cogwheel cam z = 10 (ZR10-AK616)  
 Cogwheel cam z = 10 (ZR10-AK647)  
 Cogwheel cam z = 14 (ZR14-AK617)  
 Cogwheel cam z = 18 (ZR18)  
 Universal cam 98-4-001 (UNIV)  
 Cam for cylinder with relative movement (CAM\_RB)

For illustrations

### Cam with screw

Standard: 30°  
 Optional: 0° to 360° in 15° steps

### Special function side B

Long rotor 40 mm (AK297)  
 Long knob rotor 54 mm (AK396)  
 Long knob rotor 70 mm (AK650)  
 Long knob rotor 80 mm (AK297)  
 Triangle key 14 mm (AK340)  
 Square key 6 mm (AK964)  
 Square insert chimney key (AK768)

### Backmilled side A

Backmilled 1 mm side A (RG1-A)  
 Backmilled 2 mm side A (RG2-A)  
 Backmilled 3 mm side A (RG3-A)  
 Backmilled 3.6 mm side A (RG3.6-A)  
 Backmilled 4 mm side A (RG4-A)  
 Backmilled 5 mm side A (RG5-A)  
 Backmilled 6 mm side A (RG6-A)  
 Backmilled 7 mm side A (RG7-A)  
 Backmilled 10 mm side A (RG10-A)  
 Backmilled 12 mm side A (RG12-A)

### Backmilled side B

Backmilled 1 mm side B (RG1-B)  
 Backmilled 2 mm side B (RG2-B)  
 Backmilled 3 mm side B (RG3-B)

Backmilled 3.6 mm side B (RG3.6-B)  
 Backmilled 4 mm side B (RG4-B)  
 Backmilled 5 mm side B (RG5-B)  
 Backmilled 6 mm side B (RG6-B)  
 Backmilled 7 mm side B (RG7-B)  
 Backmilled 10 mm side B (RG10-B)  
 Backmilled 12 mm side B (RG12-B)

### Cylinder fastening screw

Without cylinder fastening screw (no\_BS)  
 Screw M5 × 65 mm (BS\_M5x65)  
 Screw M5 × 70 mm (BS\_M5x70)  
 Screw M5 × 75 mm (BS\_M5x75)  
 Screw M5 × 80 mm (BS\_M5x80)  
 Screw M5 × 85 mm (BS\_M5x85)

# Mortise Door Lock Cylinders

## Mortise Door Lock Cylinders without System

K.DKHZ | Single Thumbturn Cylinder, Euro Profile

### Application

For all mortise door locks in Euro profile for operation on one side of the door without keys. The cam operates the latch and/or bolt of the door lock.

### Specification

- Housing made from solid natural brass, surface nickel-plated

### Included with the cylinder

- One cylinder fastening screw M5 × 70 mm
- Installation and maintenance instructions

### Order example

- K/DKHZ/30/NI/... cylinder options
- K/DKHZ/45/MP/... cylinder options

### Cylinder options as follows:

#### Length A Ø 17 mm EU

##### - Standard lengths:

25 to 100 mm in 5 mm steps

##### - Special lengths:

From 105 mm in 5 mm steps

#### Surface cylinder

Nickel-plated (NI)

Brass, dull (MS)

Chrome-plated (CR)

Chrome, polished (CRP)

Brass, polished (MP)

Bronzed light (BH)

Bronzed medium (BM)

Bronzed dark (BD)

#### Knob/thumbturn side A

With round thumbturn 1519 (RDK) - Standard

With MEGA-thumbturn (MK)

Oval knob D-line (ODKD)

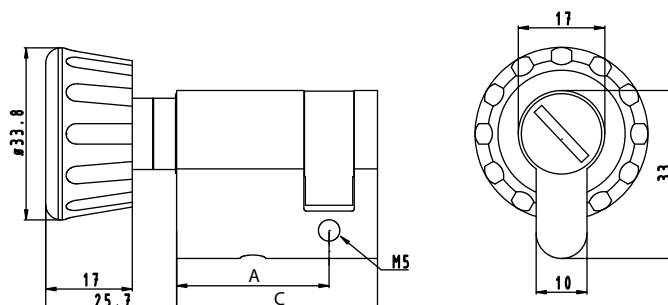
Eccentric knob (AK151)

With MEGA 39260 knob (AK583)

Knob for prison (AK654)

Special knob design (AK758)

For illustrations



# Mortise Door Lock Cylinders

## Mortise Door Lock Cylinders without System

K.DKHZ | Single Thumbturn Cylinder, Euro Profile

### Cam

Standard cam

Cogwheel cam z = 10 (ZR10)

For illustrations

### Certificate/Standard side A

Without certificate (no\_NORM)

### Special function

Long rotor 40 mm (AK297)

Long knob rotor (AK396)

Triangle key drive 8.1 mm (AK824)

Triangle key drive 14 mm (AK340)

Square key drive 8 mm side A (AK768)

### Cylinder fastening screw

Without cylinder fastening screw (no\_BS)

Screw M5 × 65 mm (BS\_M5x65)

Screw M5 × 70 mm (BS\_M5x70)

Screw M5 × 75 mm (BS\_M5x75)

Screw M5 × 80 mm (BS\_M5x80)

Screw M5 × 85 mm (BS\_M5x85)

# Mortise Door Lock Cylinders

## Mortise Door Lock Cylinders without System

K.WCZ | WC – Cylinder, Euro Profile

### Application

For WC or lavatory doors. Visual indication from the outside whether or not the toilet or lavatory is occupied (red) or vacant (green).

### Specification

- Housing made from solid natural brass, surface nickel-plated

### Included with the cylinder

- One cylinder fastening screw M5 × 70 mm
- Installation and maintenance instructions

### Order example

- K/WCZ/30/30/NI/... cylinder options
- K/WCZ/25/45/MP/RDK/RA-LI

### Cylinder options as follows:

#### Locking direction

RA-LI

LA-RI

#### Length A Ø 17 mm EU

Standard – each side available in 30 to 80 mm in 5 mm steps

#### - Short cylinder:

One cylinder side 25 mm, minimum total length of 60 mm

#### Surface DZ side A

Nickel-plated (NI)

Brass, dull (MS)

Chemical nickel-plated (NIC)

Chrome-plated (CR)

Chrome, satin (CRM)

Chrome, polished (CRP)

Brass, polished (MP)

Bronzed medium (BM)

Bronzed dark (BD)

#### Surface insert side A

The insert surface corresponds to the cylinder surface as standard.

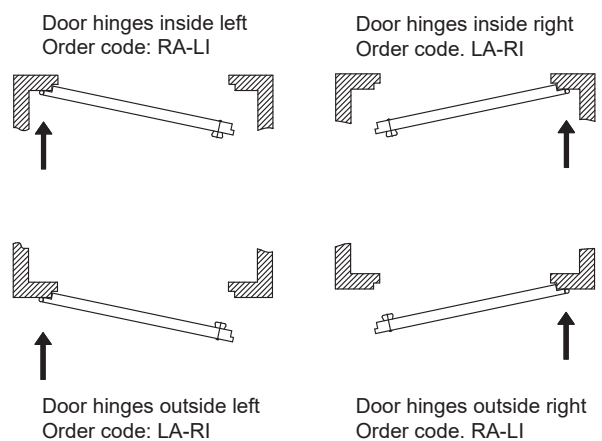
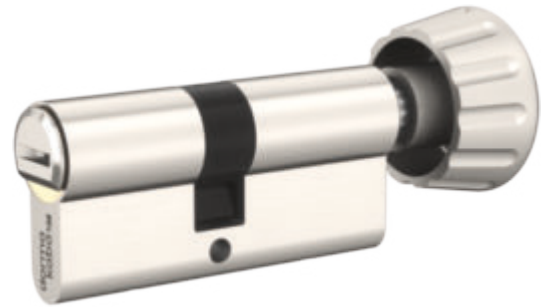
#### Knob/thumbturn side B

Round knob - standard (RK)

Mega knob (MK)

Oval knob D-line (OKD)

Lever knob (DK-AK583)



# Mortise Door Lock Cylinders

## Mortise Door Lock Cylinders without System

K.WCZ | WC – Cylinder, Euro Profile

Without thumbturn (KK)

Without thumbturn (KKG) – serrated key systems design

For illustrations

### **Function insert side A**

Special WC insert (AK380) with keyway in occupied display

### **Cylinder fastening screw**

Without cylinder fastening screw (no\_BS)

Screw M5 × 65 mm (BS\_M5x65)

Screw M5 × 70 mm (BS\_M5x70)

Screw M5 × 75 mm (BS\_M5x75)

Screw M5 × 80 mm (BS\_M5x80)

Screw M5 × 85 mm (BS\_M5x85)

# Mortise Door Lock Cylinders

## Mortise Door Lock Cylinder Applications

K.DZ\_AK571 | Double Cylinder, FICHET MONOBLOC

### Application

Double cylinder in round profile for Fichet special lock cases, also available with thumbturn knob

### Specification

- Housing made from solid natural brass, surface nickel-plated
- Reversible key made from nickel silver

### Included with the cylinder

- Three reversible keys with a plastic clip (specify separately, see chapter 'Keys with systems and clips' for options)
- Plastic key clip in black for penta (K84), in dark blue for all other systems
- Security card for ownership registration and ordering duplicate keys
- Installation and maintenance instructions

### Order example

- penta (K84)/DZ/AK571/41/41/NI/... cylinder options
- expert plus (K83)/DZ/AK571/41/66/MS/... cylinder options

### Cylinder options as follows:

#### Technical system

##### - Factory systems

penta cross (K90)  
penta (K84)  
quattro plus (K85)  
gemini plus (K87)

##### - Dealer systems

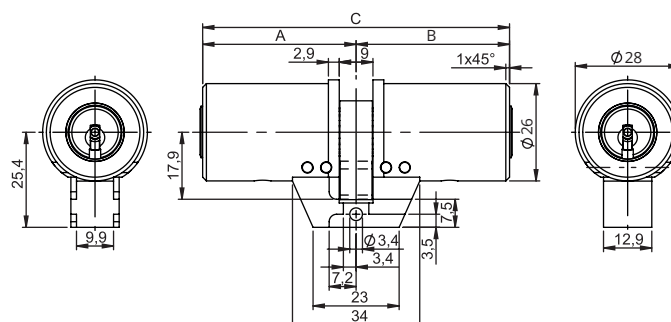
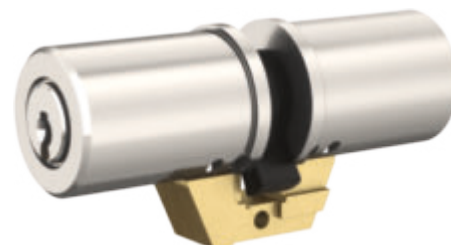
expert cross (K89)  
expert plus (K83)  
expert (K56)  
matrix plus (K86, Twincode)  
matrix (K59)

##### - Legacy systems

penta (K57)  
quattro plus (K58)  
quattro S (K52)  
gemini plus (K81)  
gemini T (K54)

### Length side A (mm)

41,0





# Mortise Door Lock Cylinders

## Mortise Door Lock Cylinder Applications

K.DZ\_AK571 | Double Cylinder, FICHET MONOBLOC

### Length side B (mm)

41,0

66,0

### Surface DZ side A

Nickel-plated (NI)

Brass, dull (MS)

Brass, polished (MP)

### Surface insert side A

The insert surface corresponds to the cylinder surface as standard.

### Coupling function

Standard function coupling (SFK)

Double key override (BSZ)

Priority function side A (PF-A)

Priority function side B (PF-B)

Emergency key function (GF)

### Construction time function

Construction time function - double life (BAZ)

Construction time function - triple life (BAZ3)

### Dust cover

Insert dust protection cap 2004 side A (2004-A)

Insert dust protection cap 2004 side B (2004-B)

Insert dust protection cap 2004 side A and B (2004-AB)

# Mortise Door Lock Cylinders

## Mortise Door Lock Cylinder Applications

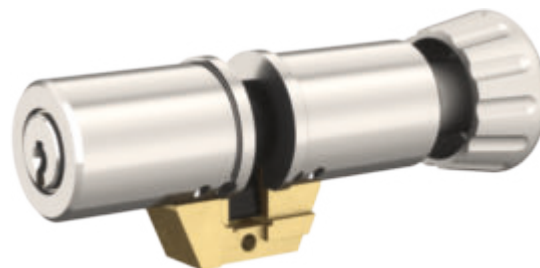
K.DKZ\_AK571 | Thumbturn Cylinder, FICHET MONOBLOC

### Application

Double cylinder in round profile for Fichet special lock cases, also available with thumbturn knob

### Specification

- Housing made from solid natural brass, surface nickel-plated
- Reversible key made from nickel silver
- Round knob (RDK)



### Included with the cylinder

- Three reversible keys with a plastic clip (specify separately, see chapter 'Keys with systems and clips' for options)
- Security card for ownership registration and ordering duplicate keys
- Installation and maintenance instructions

### Order example

- expert plus (K83)/DKZ/AK571/41/41/NI/... cylinder options
- K/SYS/DKZ/AK571/MS/... cylinder options (without technical systems)

### Cylinder options as follows:

#### Technical system

##### - Dealer systems

expert cross (K89)  
 expert plus (K83)  
 expert (K56)  
 matrix plus (K86, Twincode)  
 matrix (K59)

##### - Legacy systems

gemini T (K54)

#### Surface DZ side A

Nickel-plated (NI)  
 Brass, dull (MS)  
 Brass, polished (MP)

#### Surface insert side A

The insert surface corresponds to the cylinder surface as standard.

#### Construction time function

Construction time function - double life (BAZ)  
 Construction time function - triple life (BAZ3)

# Mortise Door Lock Cylinders

## Mortise Door Lock Cylinder Applications

K.DKZ\_AK571 | Thumbturn Cylinder, FICHET MONOBLOC

### **Dust cover**

Insert dust protection cap 2004 side A (2004-A)

# Mortise Door Lock Cylinders

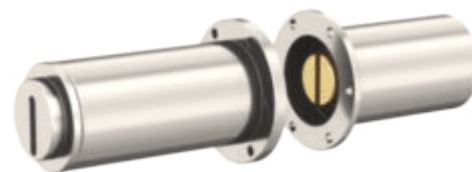
## Mortise Door Lock Cylinder Applications

K.DZ\_AK989 | Double Cylinder, VAK PICARD

### Application

Double cylinder in found profile for special lock cases, also available as a thumbturn cylinder

The cam operates the bolt and/or latch in door locks with key latch operation.

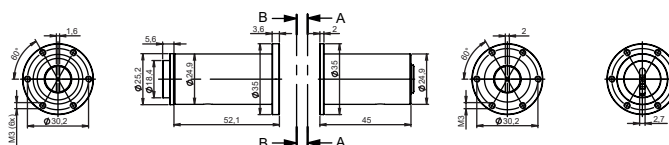


### Specification

- Housing made from solid natural brass, surface nickel-plated
- Reversible key made from nickel silver

### Order example

penta cross (K90)/DZ/AK989/NI ... cylinder options



### Cylinder options as follows:

#### Technical system

##### - Factory systems

penta cross (K90)

penta (K84)

quattro plus (K85)

gemini plus (K87)

##### - Dealer systems

expert cross (K89)

expert plus (K83)

expert (K56)

matrix plus (K86, Twincode)

matrix (K59)

##### - Legacy systems

penta (K57)

quattro plus (K58)

gemini plus (K81)

### Surface DZ side A

Nickel-plated (NI)

### Construction time function

No construction key system

### Dust cover

Without dust cover

### Tumbler pins

Pins hardened (ZH\_H)

Pins rust-free (ZH\_RF)

### Copy protection

Without copy protection cross

With copy protection cross

# Mortise Door Lock Cylinders

## Mortise Door Lock Cylinder Applications

K.DZ\_AK997 | Double Cylinder, DANALOCK

### Application

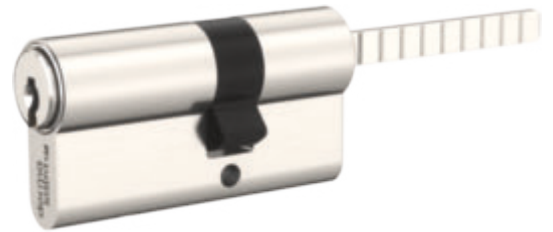
For mortise door locks in Euro profile. The tailpiece operates the locking device.

### Specification

- Housing made from solid natural brass, surface nickel-plated
- Reversible key made from nickel silver

### Order example

- expert plus (K83)/DZ/AK997/30/25/NI ... cylinder options



### Cylinder options as follows:

### Technical system

#### - Dealer systems

matrix plus (K86, Twincode)  
matrix (K59)

### Length side A (mm)

30,0  
35,0  
40,0  
45,0  
50,0

### Length side B (mm)

25,0

### Surface DZ side A

Nickel-plated (NI)  
Brass, dull (MS)

### Coupling function

Standard coupling

### Drilling and pulling protection side A

Without drilling/pulling protection

### Drilling and pulling protection side B

W/o anti-drill/pulling protection

### Construction time function

No construction key system

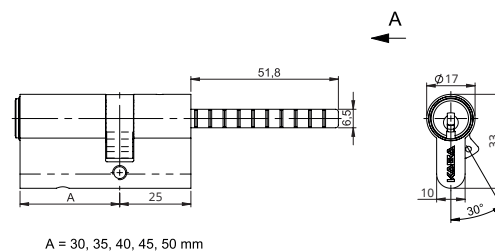
Construction time function - double life (BAZ)

Construction time function - triple life (BAZ3)

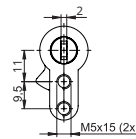
### Dust cover

Without dust cover

Insert dust protection cap 2004 side A (2004-A)



A = 30, 35, 40, 45, 50 mm



# Mortise Door Lock Cylinders

## Mortise Door Lock Cylinder Applications

K.DZ\_AK997 | Double Cylinder, DANALOCK

### **Tumbler pins**

Pins hardened (ZH\_H)

### **Cylinder fastening screw**

Without cylinder fastening screw (no\_BS)

Screw M5 × 65 mm (BS\_M5x65)

Screw M5 × 70 mm (BS\_M5x70)

Screw M5 × 75 mm (BS\_M5x75)

Screw M5 × 80 mm (BS\_M5x80)

Screw M5 × 85 mm (BS\_M5x85)

# Mortise Door Lock Cylinders

## Swiss Roundprofile Cylinders 22mm

K.DZ\_CH | Double Cylinder, Swiss Round Profile

### Application

For all mortise door locks in Swiss round profile. The cam operates the bolt and/or latch with the key.

### Specification

- Housing made from solid natural brass, surface nickel-plated
- Reversible key made from nickel silver

### Included with the cylinder

- Three reversible keys with a plastic clip (specify separately, see chapter 'Keys with systems and clips' for options)
- One cylinder fastening screw M5 × 70 mm
- Security card for ownership registration and ordering duplicate keys
- Installation and maintenance instructions

### Order example

- penta (K84)/DZCH/32,5/32,5/NI/... cylinder options
- expert plus (K83)/DZCH/27,5/47,5/CR/... cylinder options

### Cylinder options as follows:

#### Technical system

##### - Factory systems

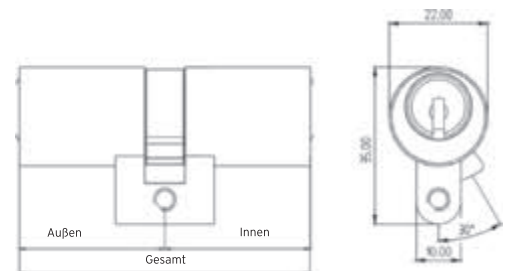
penta cross (K90)  
 penta (K84)  
 quattro plus (K85)  
 gemini plus (K87)

##### - Dealer systems

expert cross (K89)  
 expert plus (K83)  
 expert (K56)  
 eco (K82)  
 matrix plus (K86, Twincode)  
 matrix (K59)

##### - Legacy systems

penta (K57)  
 quattro plus (K58)  
 quattro S (K52)  
 quattro 1.1 (K51)  
 quattro 1.0 (K50S)  
 gemini plus (K81)  
 gemini T (K54)  
 gemini S (K53)  
 gemini (K50)  
 expert (S) (K56)



# Mortise Door Lock Cylinders

## Swiss Roundprofile Cylinders 22mm

K.DZ\_CH | Double Cylinder, Swiss Round Profile

### Length A Ø 22 mm

#### - Standard length per side:

32.5 to 102.5 mm in 5 mm steps

#### - Special lengths per side:

From 107.5 mm in 5 mm steps (max 152.5 mm)

#### - Short cylinder:

One cylinder side 27.5 mm, minimum overall length of 65 mm

### Surface DZ side A

Nickel-plated (NI)

Brass, dull (MS)

Chemical nickel-plated (NIC)

Chrome-plated (CR)

Chrome, polished (CRP)

Brass, polished (MP)

Bronzed medium (BM)

Bronzed dark (BD)

Antique (ALTB)

### Surface insert side A

The insert surface corresponds to the cylinder surface as standard.

### Coupling function

Standard function coupling (SFK)

Double key override (BSZ)

Priority function side A (PF-A)

Priority function side B (PF-B)

Freewheel cylinder for gear operated or panic locks (FZG)

Emergency key function (GF)

### Cam

Standard cam

Biffar, 2-nosed cam (BIFF\_2nose)

Cogwheel cam z = 10 (ZR10)

Cogwheel cam z = 18 (ZR18)

For illustrations

### Cam with screw

Standard: 30°

Optional: 0° to 360° in 15° steps

### Access function

Without function

Duplo function side A (DF-A)

Duplo function side B (DF-B)

Duplo function side A and B (DF-AB)

Service functions SAT1 A + SAT1 B (SAT1-A\_SAT1-B)

Service functions SAT2 A + SAT1 B (SAT2-A\_SAT1-B)

### Construction time function

Construction time function - double life (BAZ)

Construction time function - triple life (BAZ3)

### Dust cover

Insert dust protection cap 2004 side A (2004-A)

Insert dust protection cap 2004 side B (2004-B)

Insert dust protection cap 2004 side A and B (2004-AB)

### Blind one side

One-sided blind side A (BL-A)

One-sided blind side B (BL-B)

### Function hous. side A

AK888 (full yoke)

### Contact pin

Contact pin side A (KT-A)

Contact pin side B (KT-B)

### Cylinder fastening screw

Without cylinder fastening screw (no\_BS)

Screw M5 × 65 mm (BS\_M5x65)

Screw M5 × 70 mm (BS\_M5x70)

Screw M5 × 75 mm (BS\_M5x75)

Screw M5 × 80 mm (BS\_M5x80)

Screw M5 × 85 mm (BS\_M5x85)



# Mortise Door Lock Cylinders

## Swiss Roundprofile Cylinders 22mm

K.HZ\_CH | Single Cylinder, Swiss Round Profile

### Application

For all mortise door locks in Swiss round profile to be opened on one side only. The cam operates the bolt and latch in door locks with key latch operation. The cam can be set in 30° steps beginning from the 0° or 15° position.

### Specification

- Housing made from solid natural brass, surface nickel-plated
- Reversible key made from nickel silver

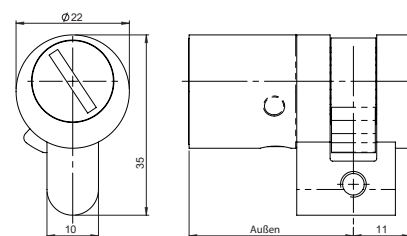
### Included with the cylinder

- Three reversible keys with a plastic clip (specify separately, see chapter 'Keys with systems and clips' for options)
- One cylinder fastening screw M5 × 70 mm
- Security card for ownership registration and ordering duplicate keys
- Installation and maintenance instructions

### Order example

- penta (K84)/DKZCH/32.5/32.5/Nl/... cylinder options
- expert plus (K83)/DKZCH/27.5/37.5/MP/... cylinder options

### Cylinder options as follows:



# Mortise Door Lock Cylinders

## Swiss Roundprofile Cylinders 22mm

K.HZ\_CH | Single Cylinder, Swiss Round Profile

### Technical system

#### - Factory systems

penta cross (K90)

penta (K84)

quattro plus (K85)

geminus plus (K87)

#### - Dealer systems

expert cross (K89)

expert plus (K83)

expert (K56)

eco (K82)

matrix plus (K86, Twincode)

matrix (K59)

#### - Legacy systems

penta (K57)

quattro plus (K58)

quattro S (K52)

quattro 1.1 (K51)

quattro 1.0 (K50S)

geminus plus (K81)

geminus T (K54)

geminus S (K53)

geminus (K50)

expert (S) (K56)

### Length A Ø 22 mm

#### - Standard length per side:

32.5 to 102.5 mm in 5 mm steps

#### - Special lengths per side:

From 107.5 mm in 5 mm steps (max 122.5 mm)

### Surface cylinder

Nickel-plated (NI)

Brass, dull (MS)

Nickel-plated chemically (NIC)

Chrome-plated (CR)

Chrome, polished (CRP)

Brass, polished (MP)

Bronzed dark (BD)

### Surface insert side A

The insert surface corresponds to the cylinder surface as standard.

### Coupling function

Standard coupling

Freewheel cylinder for gear operated or panic locks (FZG)

### Key movement

Relative movement 6-3 right

Relative movement 7-10 left

Relative movement 12-9 left

### Cam

Standard cam

Cogwheel cam z = 10 (ZR10)

For illustrations

### Cam with screw

Standard: 30°

Optional: 0° to 360° in 15° steps

### Access function

Duplo function (DF)

Service function SAT1 (SAT1)

Service function SAT2 (SAT2)

### Construction time function

Construction time function - double life (BAZ)

Construction time function - triple life (BAZ3)

### Dust cover

Insert dust protection cap 2004 side A (2004-A)

### Blind one side

One-sided blind side A (BL-A)

### Function hous. side A

AK888 (full yoke)

### Contact pin

Contact pin side A (KT-A)

### Cylinder fastening screw

Without cylinder fastening screw (no\_BS)

Screw M5 × 65 mm (BS\_M5x65)

Screw M5 × 70 mm (BS\_M5x70)

Screw M5 × 75 mm (BS\_M5x75)

Screw M5 × 80 mm (BS\_M5x80)

Screw M5 × 85 mm (BS\_M5x85)

# Mortise Door Lock Cylinders

## Swiss Roundprofile Cylinders 22mm

K.DKZ\_CH | Thumbturn Cylinder, Swiss Round Profile

### Application

For all mortise door locks in Swiss round profile. The thumbturn knob is installed on the inside, allowing the door to be safely un/locked from the inside without a key. The cam operates the latch and/or bolt of the mortise door lock.

### Specification

- Housing made from solid natural brass, surface nickel-plated
- Reversible key made from nickel silver

### Included with the cylinder

- Three reversible keys with a plastic clip (specify separately, see chapter 'Keys with systems and clips' for options)
- Plastic key clip in black for system penta (K84), in dark blue for all other systems
- One cylinder fastening screw M5 × 70 mm
- Security card for ownership registration and ordering duplicate keys
- Installation and maintenance instructions

### Order example

- penta (K84)/DKZCH/32.5/32.5/NI/...Cylinder options
- expert plus (K83)/DKZCH/27.5/37.5/MP/...Cylinder options

### Cylinder options as follows:

#### Technical system

##### - Factory systems

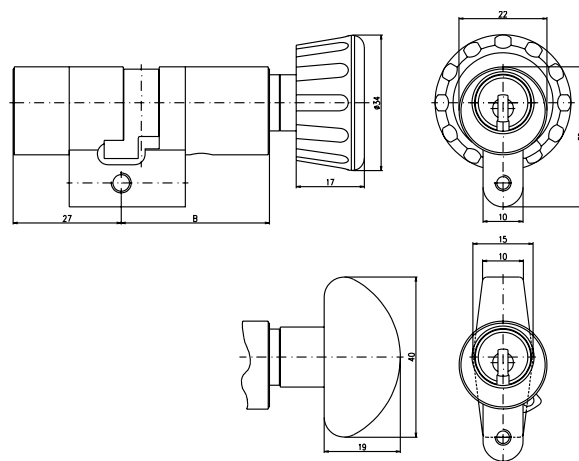
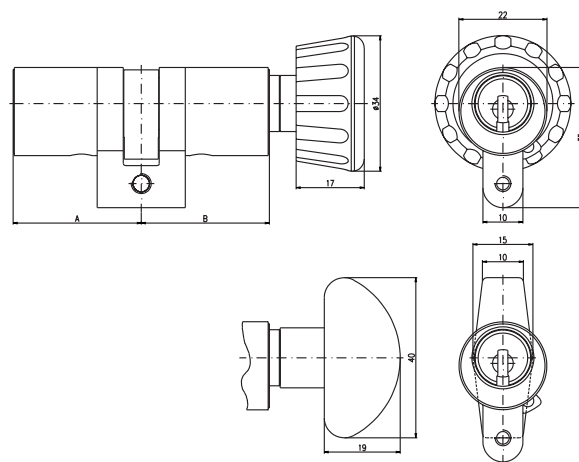
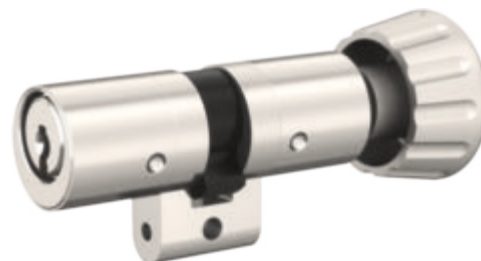
penta cross (K90)  
penta (K84)  
quattro plus (K85)  
gemini plus (K87)

##### - Dealer systems

expert cross (K89)  
expert plus (K83)  
expert (K56)  
eco (K82)  
matrix plus (K86, Twincode)  
matrix (K59)

##### - Legacy systems

penta (K57)  
quattro plus (K58)  
quattro S (K52)  
quattro 1.1 (K51)  
quattro 1.0 (K50S)



Short cylinder

# Mortise Door Lock Cylinders

## Swiss Roundprofile Cylinders 22mm

K.DKZ\_CH | Thumbturn Cylinder, Swiss Round Profile

gemini plus (K81)  
 gemini T (K54)  
 gemini S (K53)  
 gemini (K50)  
 expert (S) (K56)

### Length A Ø 22 mm

#### - Standard length per side:

32.5 to 102.5 mm in 5 mm steps

#### - Special lengths per side:

From 107.5 mm in 5 mm steps (max 142.5 mm)

#### - Short cylinder:

One cylinder side 27.5 mm, minimum overall length of 65 mm

### Surface DZ side A

Nickel-plated (NI)  
 Brass, dull (MS)  
 Chemical nickel-plated (NIC)  
 Chrome-plated (CR)  
 Chrome, polished (CRP)  
 Brass, polished (MP)  
 Bronzed medium (BM)  
 Bronzed dark (BD)  
 Antique (ALTB)

### Surface insert side A

The insert surface corresponds to the cylinder surface as standard.

### Knob/thumbturn side B

Round knob - standard (RK)  
 Design thumbturn (DK)  
 Mega knob (MK)  
 Oval knob D-line (OKD)  
 Freedom knob (FK)  
 Rectangular knob (EK)

For illustrations

### Coupling function

Standard coupling  
 Priority function side A (PF-A)  
 Freewheel cylinder for gear operated or panic locks (FZG)  
 Hotel room function (AK527)  
 AK924 (S. 360° g.UZ. with 180°)  
 AK924 (S. 360° UZ. with 180°)

### Cam

Standard cam  
 Biffar, 2-nosed cam (BIFF\_2nose)  
 Cogwheel cam z = 10 (ZR10)

For illustrations

### Cam with screw

Standard: 30°  
 Optional: 0° to 360° in 15° steps

### Access function

Service function SAT1 (SAT1)  
 Service function SAT2 (SAT2)

### Construction time function

Construction time function - double life (BAZ)  
 Construction time function - triple life (BAZ3)

### Special function side B

Long rotor 40 mm (AK297)  
 Long knob rotor 70 mm (AK650)  
 Long knob rotor 80 mm (AK297)

### Dust cover

Insert dust protection cap 2004 side A (2004-A)

### Blind one side

One-sided blind side A (BL-A)

### Function hous. side A

AK888 (full yoke)

### Contact pin

Contact pin side A (KT-A)

### Cylinder fastening screw

Without cylinder fastening screw (no\_BS)  
 Screw M5 × 65 mm (BS\_M5x65)  
 Screw M5 × 70 mm (BS\_M5x70)  
 Screw M5 × 75 mm (BS\_M5x75)  
 Screw M5 × 80 mm (BS\_M5x80)  
 Screw M5 × 85 mm (BS\_M5x85)

# Mortise Door Lock Cylinders

## Swiss Roundprofile Cylinders 22mm

K.DKHZCH | Single Thumbturn Cylinder, Swiss Round Profile

### Application

For all thumbturn cylinders in Swiss round profile. The thumbturn knob operates the bolt and latch of the mortise door lock.

### Specification

- Housing made from solid natural brass, surface nickel-plated

### Included with the cylinder

- One cylinder fastening screw M5 × 70 mm
- Installation and maintenance instructions

### Order example

- K/DKHZCH/32.5/NI/... cylinder options
- K/DKHZCH/47.5/MP/... cylinder options



### Cylinder options as follows:

#### Length A Ø 22 mm

- Standard length per side:

32.5 to 102.5 mm in 5 mm steps

#### Surface cylinder

Nickel-plated (NI)

#### Knob/thumbturn side A

With round thumbturn 1519 (RDK) - Standard

Oval knob D-line (ODKD)

#### Cam

Standard cam

Cogwheel cam z = 10 (ZR10)

#### Cylinder fastening screw

Without cylinder fastening screw (no\_BS)

Screw M5 × 65 mm (BS\_M5x65)

Screw M5 × 70 mm (BS\_M5x70)

Screw M5 × 75 mm (BS\_M5x75)

Screw M5 × 80 mm (BS\_M5x80)

Screw M5 × 85 mm (BS\_M5x85)

# Mortise Door Lock Cylinders

## Scandinavian Cylinders

K.OHZ\_2048 | Oval Single Cylinder, Scandinavia

### Application

For Scandinavian mortise door locks

### Specification

- Housing made of natural brass, chrome-plated
- Reversible key made from nickel silver

### Included with the cylinder

- Two ea. reversible keys, specify key type (details in chapter 'Keys with Systems and Clips')
- Security card for ownership registration and ordering duplicate keys
- Installation and maintenance instructions

### Order example

expert plus (K83)/OHZ/2048/CR/... cylinder options

### Cylinder options as follows:

#### Technical system

##### - Factory systems

penta cross (K90)  
penta (K84)  
quattro plus (K85)  
geminus plus (K87)

##### - Dealer systems

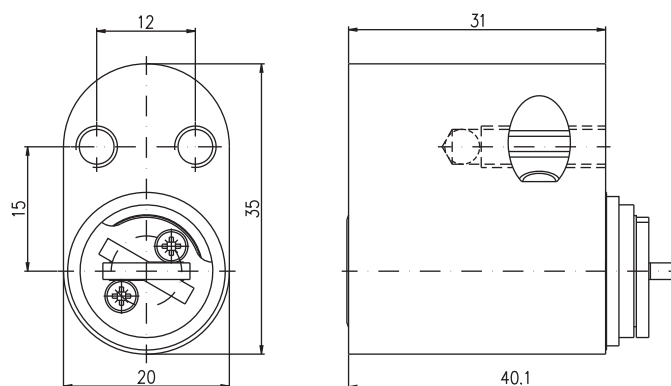
expert cross (K89)  
expert plus (K83)  
expert (K56)  
matrix plus (K86, Twincode)  
matrix (K59)

##### - Legacy systems

penta (K57)  
quattro plus (K58)  
quattro S (K52)  
quattro 1.1 (K51)  
quattro 1.0 (K50S)  
geminus plus (K81)  
geminus T (K54)  
geminus S (K53)  
geminus (K50)  
No system (K00)

### System type

Without insert (no\_INS)



# Mortise Door Lock Cylinders

## Scandinavian Cylinders

K.OHZ\_2048 | Oval Single Cylinder, Scandinavia

### Surface cylinder

Nickel-plated (NI)  
Brass, dull (MS)  
Nickel-plated chemically (NIC)  
Chrome-plated (CR)  
Chrome, satin (CRM)  
Brass, polished (MP)  
Brass, lacquered (MSL)  
Bronzed (BD)

### Surface insert side A

The insert surface corresponds to the cylinder surface as standard.

Brass, untreated (INS-MSR)

### Access function

Service function SAT1 (SAT1)

### Construction time function

Construction time function - double life (BAZ)  
Construction time function - triple life (BAZ3)

### Dust cover

Insert dust protection cap 2004 side A (2004-A)  
2004 prepared side A

### Tumbler pins

Without tumbler pins  
Pins rust-free (ZH\_RF)

# Mortise Door Lock Cylinders

## Scandinavian Cylinders

K.OHZ\_2048D | Oval Single Cylinder, with Drilling Protection

### Application

For Scandinavian mortise door locks

### Specification

- Housing made of natural brass, chrome-plated
- With anti-drilling pins in the housing
- Reversible key made from nickel silver

### Included with the cylinder

- Two ea. reversible keys, specify key type (details in chapter 'Keys with Systems and Clips')
- Security card for ownership registration and ordering duplicate keys
- Installation and maintenance instructions

### Order example

expert plus (K83)/OHZ/2048D/CR/... cylinder options

### Cylinder options as follows:

#### Technical system

##### - Factory systems

penta cross (K90)

penta (K84)

quattro plus (K85)

geminus plus (K87)

##### - Dealer systems

expert cross (K89)

expert plus (K83)

expert (K56)

matrix plus (K86, Twincode)

matrix (K59)

##### - Legacy systems

penta (K57)

quattro plus (K58)

quattro S (K52)

quattro 1.1 (K51)

quattro 1.0 (K50S)

geminus plus (K81)

geminus T (K54)

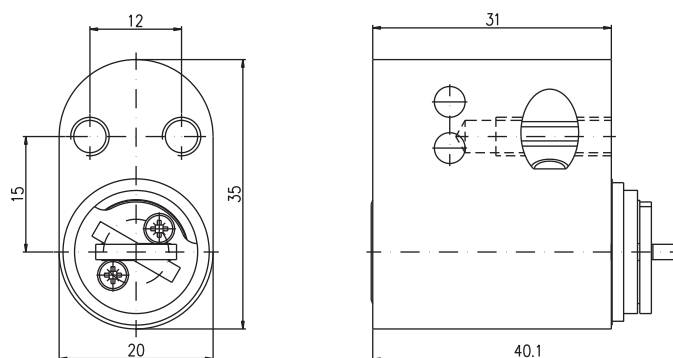
geminus S (K53)

geminus (K50)

No system (K00)

### System type

Without insert (no\_INS)





# Mortise Door Lock Cylinders

## Scandinavian Cylinders

K.OHZ\_2048D | Oval Single Cylinder, with Drilling Protection

### Surface cylinder

Nickel-plated (NI)  
Brass, dull (MS)  
Chrome-plated (CR)  
Chrome, satin (CRM)  
Bronzed (BD)

### Surface insert side A

The insert surface corresponds to the cylinder surface as standard.

Brass, untreated (INS-MSR)

### Access function

Service function SAT1 (SAT1)

### Construction time function

Construction time function - double life (BAZ)  
Construction time function - triple life (BAZ3)

### Dust cover

Insert dust protection cap 2004 side A (2004-A)  
2004 prepared side A

### Tumbler pins

Without tumbler pins  
Pins rust-free (ZH\_RF)

# Mortise Door Lock Cylinders

## Scandinavian Cylinders

K.OHZ 2048B/2048BD/2048G | Oval Single Cylinder, with Tailpiece

### Application

For Scandinavian mortise door locks  
The tailpiece operates the bolt from the outside.

### Specification

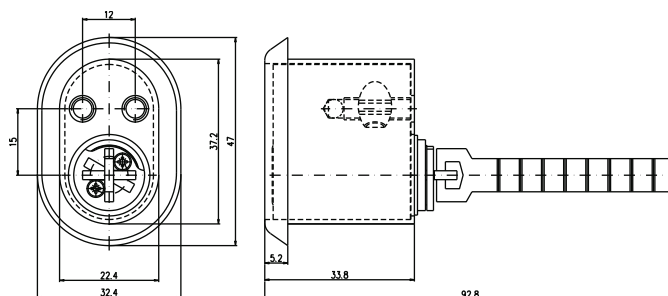
- Housing made of natural brass, chrome-plated
- With rosette
- Tailpiece can be cut to length on-site.
- Reversible key made from nickel silver

### Included with the cylinder

- Two ea. reversible keys, specify key type (details in chapter 'Keys with Systems and Clips')
- Security card for ownership registration and ordering duplicate keys
- Installation and maintenance instructions

### Order example

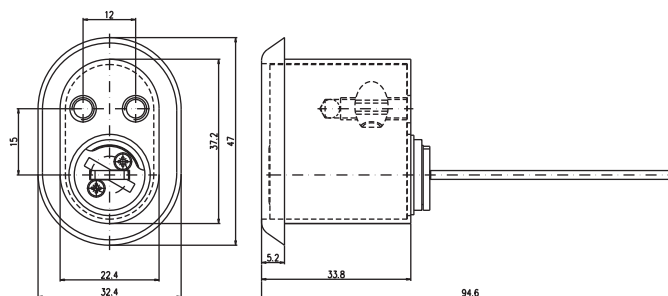
expert plus (K83)/OHZ/2048BD/CR/... cylinder options



Type 2048B

### Cylinder options as follows:

Specification	Drilling and pulling protection side A	Type cylinder
Tailpiece vertical in key retraction position	Without drilling/pulling protection	2048B
Tailpiece vertical in key retraction position	Drilling protection Scandinavia	2048BD
Tailpiece horizontal in key retraction position	Without drilling/pulling protection	2048G



Type 2048G

### Technical system

#### - Factory systems

- penta cross (K90)
- penta (K84)
- quattro plus (K85)
- geminus plus (K87)

#### - Dealer systems

- expert cross (K89)
- expert plus (K83)
- expert (K56)
- matrix plus (K86, Twincode)
- matrix (K59)

#### - Legacy systems

- penta (K57)
- quattro plus (K58)
- quattro S (K52)
- quattro 1.1 (K51)
- quattro 1.0 (K50S)

# Mortise Door Lock Cylinders

## Scandinavian Cylinders

K.OHZ 2048B/2048BD/2048G | Oval Single Cylinder, with Tailpiece

gemi plus (K81)  
gemi T (K54)  
gemi S (K53)  
gemi (K50)  
No system (K00)

### System type

Without insert (no\_INS)

### Surface cylinder

Nickel-plated (NI)  
Brass, dull (MS)  
Chrome-plated (CR)  
Chrome, satin (CRM)  
Bronzed (BD)

### Surface insert side A

The insert surface corresponds to the cylinder surface as standard.

Brass, untreated (INS-MSR)

### Construction time function

Construction time function - double life (BAZ)  
Construction time function - triple life (BAZ3)

### Dust cover

Insert dust protection cap 2004 side A (2004-A)  
2004 prepared side A

### Tumbler pins

Without tumbler pins  
Pins rust-free (ZH\_RF)

# Mortise Door Lock Cylinders

## Scandinavian Cylinders

K.OHZ 2048F | Oval Inside Cylinder

### Application

For Scandinavian mortise door locks

### Specification

- Housing made of natural brass, chrome-plated
- Reversible key made from nickel silver

### Included with the cylinder

- Two ea. reversible keys, specify key type (details in chapter 'Keys with Systems and Clips')
- Security card for ownership registration and ordering duplicate keys
- Installation and maintenance instructions

### Order example

expert plus (K83)/OHZ/2048F/CR/... cylinder options

### Cylinder options as follows:

#### Technical system

##### - Factory systems

penta cross (K90)  
 penta (K84)  
 quattro plus (K85)  
 gemini plus (K87)

##### - Dealer systems

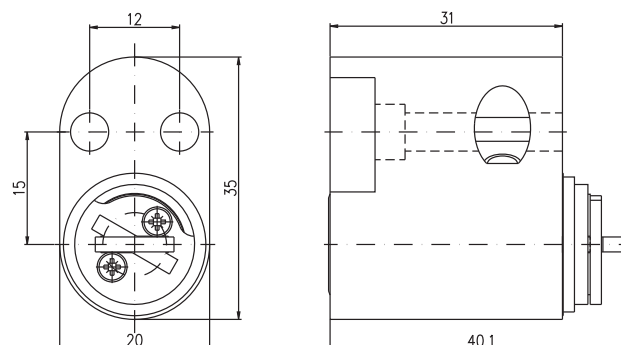
expert cross (K89)  
 expert plus (K83)  
 expert (K56)  
 matrix plus (K86, Twincode)  
 matrix (K59)

##### - Legacy systems

penta (K57)  
 quattro plus (K58)  
 quattro S (K52)  
 quattro 1.1 (K51)  
 quattro 1.0 (K50S)  
 gemini plus (K81)  
 gemini T (K54)  
 gemini S (K53)  
 gemini (K50)  
 No system (K00)

### System type

Without insert (no\_INS)



# Mortise Door Lock Cylinders

## Scandinavian Cylinders

K.OHZ 2048F | Oval Inside Cylinder

### Surface cylinder

Nickel-plated (NI)  
Brass, dull (MS)  
Chrome-plated (CR)  
Chrome, satin (CRM)  
Bronzed (BD)

### Surface insert side A

The insert surface corresponds to the cylinder surface as standard.

Brass, untreated (INS-MSR)

### Construction time function

Construction time function - double life (BAZ)  
Construction time function - triple life (BAZ3)

### Dust cover

Insert dust protection cap 2004 side A (2004-A)  
2004 prepared side A

### Tumbler pins

Without tumbler pins  
Pins rust-free (ZH\_RF)

# Mortise Door Lock Cylinders

## Scandinavian Cylinders

K.OHZ\_2048FG | Oval Inside Cylinder, with Tailpiece

### Application

For Scandinavian mortise door locks

### Specification

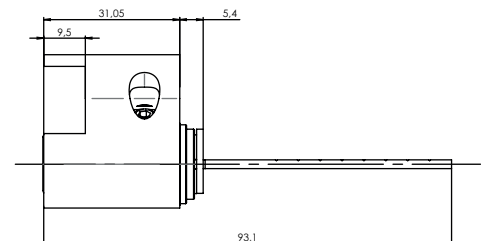
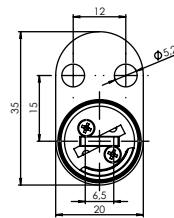
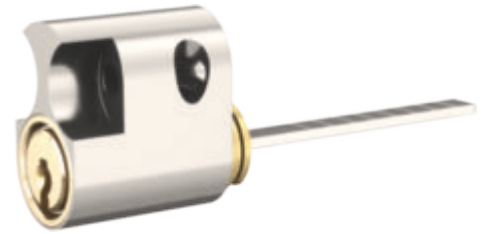
- Housing made of natural brass, chrome-plated
- Tailpiece can be cut to length on-site.
- Reversible key made from nickel silver

### Included with the cylinder

- Two ea. reversible keys, specify key type (details in chapter 'Keys with Systems and Clips')
- Security card for ownership registration and ordering duplicate keys
- Installation and maintenance instructions

### Order example

expert plus (K83)/OHZ/2048FG/CR/... cylinder options



### Cylinder options as follows:

#### Technical system

##### - Factory systems

penta cross (K90)

penta (K84)

quattro plus (K85)

gemini plus (K87)

##### - Dealer systems

expert cross (K89)

expert plus (K83)

expert (K56)

matrix plus (K86, Twincode)

matrix (K59)

##### - Legacy systems

penta (K57)

quattro plus (K58)

quattro S (K52)

quattro 1.1 (K51)

quattro 1.0 (K50S)

gemini plus (K81)

gemini T (K54)

gemini S (K53)

gemini (K50)

No system (K00)

### System type

Without insert (no\_INS)

# Mortise Door Lock Cylinders

## Scandinavian Cylinders

K.OHZ\_2048FG | Oval Inside Cylinder, with Tailpiece

### Surface cylinder

Brass, dull (MS)

Chrome-plated (CR)

Chrome, satin (CRM)

Bronzed (BD)

### Surface insert side A

The insert surface corresponds to the cylinder surface as standard.

Brass, untreated (INS-MSR)

### Construction time function

Construction time function - double life (BAZ)

Construction time function - triple life (BAZ3)

### Dust cover

Insert dust protection cap 2004 side A (2004-A)

2004 prepared side A

### Tumbler pins

Without tumbler pins

Pins rust-free (ZH\_RF)

# Mortise Door Lock Cylinders

## Scandinavian Cylinders

K.OHZ\_3537S | Oval Single Cylinder, with Drilling Protection

### Application

For Scandinavian mortise door locks

### Specification

- Housing made of natural brass, chrome-plated
- Reversible key made from nickel silver

### Included with the cylinder

- Two ea. reversible keys, specify key type (details in chapter 'Keys with Systems and Clips')
- Security card for ownership registration and ordering duplicate keys
- Installation and maintenance instructions

### Order example

expert plus (K83)/OHZ/3537S/CR/... cylinder options

### Options as follows:

#### Technical system

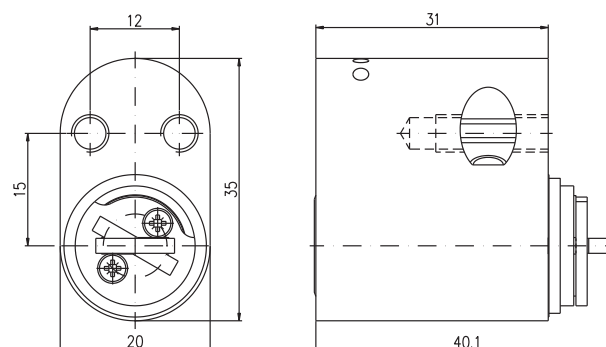
gemi (K50)  
 gemini S (K53)  
 gemini plus (K87)  
 quattro 1.0 (K50S)  
 quattro 1.1 (K51)  
 quattro S (K52)  
 quattro plus (K85)  
 expert (K56)  
 penta (K57)  
 penta (K84)  
 penta cross (K90)  
 quattro plus (K58)  
 gemini T (K54)  
 gemini plus (K81)  
 expert plus (K83)  
 expert cross (K89)  
 matrix (K59)  
 matrix plus (K86, Twincode)

#### System type

Without insert (no\_INS)

#### Surface cylinder

Nickel-plated (NI)  
 Chrome-plated (CR)  
 Brass, dull (MS)  
 Brass, lacquered (MSL)





# Mortise Door Lock Cylinders

## Scandinavian Cylinders

K.OHZ\_3537S | Oval Single Cylinder, with Drilling Protection

### **Surface insert side A**

The insert surface corresponds to the cylinder surface as standard.

Brass, untreated (INS-MSR)

### **Construction time function**

No construction key system

Construction time function - double life (BAZ)

Construction time function - triple life (BAZ3)

### **Dust cover**

Insert dust protection cap 2004 side A (2004-A)

2004 prepared side A

### **Tumbler pins**

Without tumbler pins

Pins rust-free (ZH\_RF)

# Mortise Door Lock Cylinders

## Scandinavian Cylinders

K.OHZ 3520 | Oval Single Cylinder

### Application

For all mortise door locks in Scandinavian oval profile

### Specification

- Housing made of natural brass, chrome-plated
- Reversible key made from nickel silver

### Included with the cylinder

- Two ea. reversible keys, specify key type (details in chapter 'Keys with Systems and Clips')
- Security card for ownership registration and ordering duplicate keys
- Installation and maintenance instructions

### Order example

### Cylinder options as follows:

#### Technical system

##### - Factory systems

penta cross (K90)

penta (K84)

quattro plus (K85)

gemini plus (K87)

##### - Dealer systems

expert cross (K89)

expert plus (K83)

expert (K56)

matrix plus (K86, Twincode)

matrix (K59)

##### - Legacy systems

penta (K57)

quattro plus (K58)

quattro S (K52)

quattro 1.1 (K51)

quattro 1.0 (K50S)

gemini plus (K81)

gemini T (K54)

gemini S (K53)

gemini (K50)

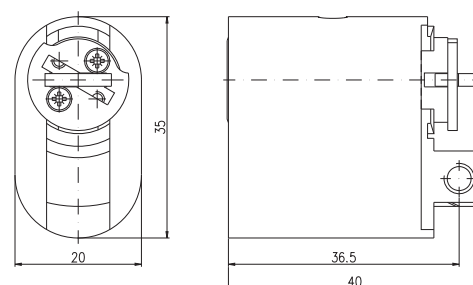
### System type

Without insert (no\_INS)

### Surface cylinder

Nickel-plated (NI)

Chrome-plated (CR)



# Mortise Door Lock Cylinders

## Scandinavian Cylinders

K.OHZ 3520 | Oval Single Cylinder

### **Surface insert side A**

The insert surface corresponds to the cylinder surface as standard.

Brass, untreated (INS-MSR)

### **Construction time function**

Construction time function - double life (BAZ)

Construction time function - triple life (BAZ3)

### **Dust cover**

Insert dust protection cap 2004 side A (2004-A)

2004 prepared side A

### **Blind one side**

One-sided blind side A (BL-A)

### **Tumbler pins**

Without tumbler pins

Pins rust-free (ZH\_RF)

# Mortise Door Lock Cylinders

## Scandinavian Cylinders

K.OHZ\_130K5 | Oval Single Cylinder, Australia

### Application

Suitable for locks: EFCO 3000 and 6000 series  
LOCKWOOD 570, 590 series and 5900 outside cylinder

### Specification

- Housing made of natural brass, chrome-plated
- Reversible key made from nickel silver

### Included with the cylinder

- Two ea. reversible keys, specify key type (details in chapter 'Keys with Systems and Clips')
- Security card for ownership registration and ordering duplicate keys
- Installation and maintenance instructions

### Order example

expert plus (K83)/OHZ/130K5/CR/... cylinder options  
quattro plus (K85)/OHZ/130K5X20/CR/... cylinder options

### Options as follows:

Specification	Type cylinder
Length 34 mm	130K5
Length 44 mm	130K5X10
Length 54 mm, door thickness 50–90 mm	130K5X20
Length 74 mm, door thickness 90–127 mm	130K5X40

### Technical system

quattro S (K52)  
quattro plus (K85)  
expert (K56)  
expert plus (K83)  
expert cross (K89)

### System type

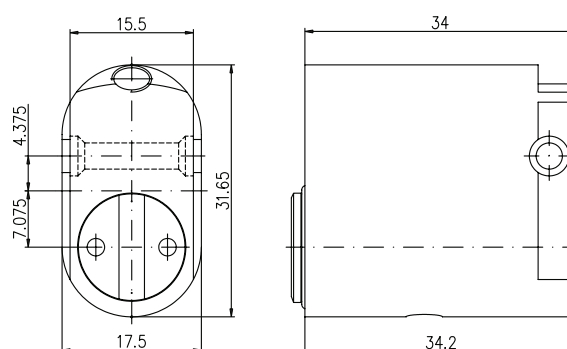
Without insert (no\_INS)

### Surface cylinder

Nickel-plated (NI)  
Nickel-plated chemically (NIC)  
Chrome, satin (CRM)  
Chrome-plated (CR)  
Brass, dull (MS)  
Brass, polished (MP)  
All surface finishes available for type 130K5  
Surface finish CR for 130K5X10/20/40, other surface finishes on request



130K5



130K5x10



130K5x20



130K5x40

# Mortise Door Lock Cylinders

## Scandinavian Cylinders

K.OHZ\_130K5 | Oval Single Cylinder, Australia

### **Surface insert side A**

The insert surface corresponds to the cylinder surface as standard.

### **Construction time function**

Construction time function - double life (BAZ)

Construction time function - triple life (BAZ3)

### **Dust cover**

Insert dust protection cap 2004 side A (2004-A)

2004 prepared side A

### **Tumbler pins**

Without tumbler pins

Pins rust-free (ZH\_RF)

# Mortise Door Lock Cylinders

## Scandinavian Cylinders

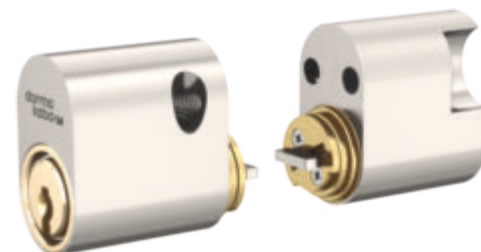
K.ODZ 2048CF | Oval Double Cylinder, Scandinavia

### Application

For Scandinavian mortise door locks

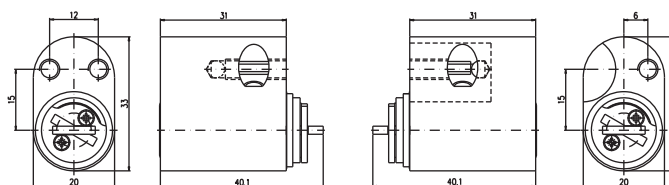
### Specification

- Housing made of natural brass, chrome-plated
- Insert and sleeve natural brass
- Reversible key made from nickel silver



### Included with the cylinder

- Three reversible keys with a plastic clip (specify separately, see chapter 'Keys with systems and clips' for options)
- Security card for ownership registration and ordering duplicate keys
- Installation and maintenance instructions



### Order example

expert plus (K83)/ODZ/2048CF/CR/... cylinder options

### Cylinder options as follows:

#### Technical system

##### - Factory systems

quattro plus (K85)  
geminus plus (K87)

##### - Dealer systems

expert plus (K83)  
expert (K56)

##### - Legacy systems

quattro plus (K58)  
quattro S (K52)  
geminus plus (K81)  
geminus S (K53)

#### Surface DZ side A

Nickel-plated (NI)  
Chemical nickel-plated (NIC)  
Chrome-plated (CR)  
Chrome, satin (CRM)  
Brass, lacquered (MSL)  
Bronzed dark (BD)

#### Surface insert side A

Standard insert surface finish is natural brass;  
alternatively, the selected surface finish of the cylinder  
may also be selected.

Brass, untreated (INS-MSR)

# Mortise Door Lock Cylinders

## Scandinavian Cylinders

K.ODZ 2048CF | Oval Double Cylinder, Scandinavia

### **Construction time function**

Construction time function - double life (BAZ)

Construction time function - triple life (BAZ3)

### **Dust cover**

Insert dust protection cap 2004 side A (2004-A)

Insert dust protection cap 2004 side B (2004-B)

Insert dust protection cap 2004 side A and B (2004-AB)

2004 prepared side A

Insert Weather Protection Cap 2004, prep side A  
(2004-PRE-A)

Insert Weather Protection Cap 2004, prep side AB  
(2004-PRE-AB)

### **Tumbler pins**

Pins rust-free (ZH\_RF)

# Mortise Door Lock Cylinders

## Scandinavian Cylinders

K.ODZ\_3537C | Oval-Double Cylinder, Scandinavia

### Application

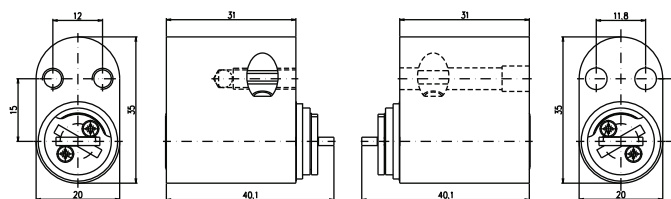
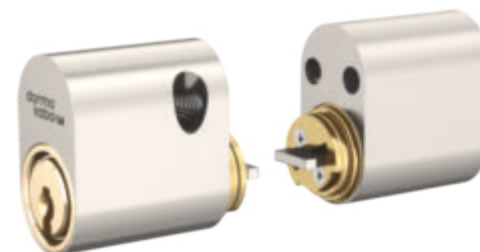
For Scandinavian mortise door locks

### Specification

- Housing made of natural brass, chrome-plated
- Insert and sleeve natural brass
- Reversible key made from nickel silver

### Included with the cylinder

- Three reversible keys with a plastic clip (specify separately, see chapter 'Keys with systems and clips' for options)
- Security card for ownership registration and ordering duplicate keys
- Installation and maintenance instructions



### Order example

expert plus (K83)/ODZ/3537C/CR/... cylinder options

### Options as follows:

#### Technical system

##### - Factory systems

quattro plus (K85)

geminus plus (K87)

##### - Dealer systems

expert plus (K83)

expert (K56)

##### - Legacy systems

quattro plus (K58)

quattro S (K52)

geminus plus (K81)

geminus S (K53)

#### Surface DZ side A

Brass, dull (MS)

Chrome-plated (CR)

Brass, polished (MP)

#### Surface insert side A

Standard insert surface finish is natural brass; alternatively, the selected surface finish of the cylinder may also be selected.

Brass, untreated (INS-MSR)

#### Construction time function

Construction time function - double life (BAZ)

Construction time function - triple life (BAZ3)



# Mortise Door Lock Cylinders

## Scandinavian Cylinders

K.ODZ\_3537C | Oval-Double Cylinder, Scandinavia

### **Dust cover**

Insert dust protection cap 2004 side A (2004-A)

Insert dust protection cap 2004 side B (2004-B)

Insert dust protection cap 2004 side A and B (2004-AB)

2004 prepared side A

Insert Weather Protection Cap 2004, prep side A  
(2004-PRE-A)

Insert Weather Protection Cap 2004, prep side AB  
(2004-PRE-AB)

### **Tumbler pins**

Pins rust-free (ZH\_RF)

# Mortise Door Lock Cylinders

## Scandinavian Cylinders

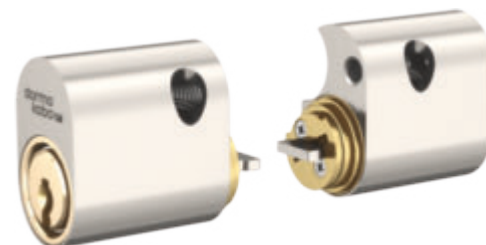
K.ODZ\_304C | Oval-Double Cylinder, Scandinavia

### Application

For Scandinavian mortise door locks

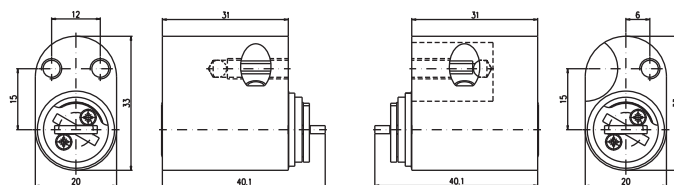
### Specification

- Housing made of natural brass, chrome-plated
- Insert and sleeve natural brass
- Reversible key made from nickel silver



### Included with the cylinder

- Three reversible keys with a plastic clip (specify separately, see chapter 'Keys with systems and clips' for options)
- Security card for ownership registration and ordering duplicate keys
- Installation and maintenance instructions



### Order example

expert plus (K83)/ODZ/304C/CR/... cylinder options

### Options as follows:

#### Technical system

##### - Factory systems

quattro plus (K85)

geminus plus (K87)

##### - Dealer systems

expert plus (K83)

expert (K56)

##### - Legacy systems

quattro plus (K58)

quattro S (K52)

geminus plus (K81)

geminus S (K53)

### Surface DZ side A

Chrome-plated (CR)

### Surface insert side A

Standard insert surface finish is natural brass; alternatively, the selected surface finish of the cylinder may also be selected.

Brass, untreated (INS-MSR)

### Construction time function

Construction time function - double life (BAZ)

Construction time function - triple life (BAZ3)

# Mortise Door Lock Cylinders

## Scandinavian Cylinders

K.ODZ\_304C | Oval-Double Cylinder, Scandinavia

### **Dust cover**

Insert dust protection cap 2004 side A (2004-A)

Insert dust protection cap 2004 side B (2004-B)

Insert dust protection cap 2004 side A and B (2004-AB)

2004 prepared side A

Insert Weather Protection Cap 2004, prep side A  
(2004-PRE-A)

Insert Weather Protection Cap 2004, prep side AB  
(2004-PRE-AB)

### **Tumbler pins**

Pins rust-free (ZH\_RF)

# Mortise Door Lock Cylinders

## Scandinavian Cylinders

K.HZ\_SKAND/305 MU | Single Cylinder, Euro Profile

### Application

For Scandinavian mortise door locks

The cam operates the bolt and latch with key operated latch retraction function.

### Specification

- Housing made of solid brass, chrome-plated
- Reversible key made from nickel silver

### Included with the cylinder

- Three reversible keys with a plastic clip (specify separately, see chapter 'Keys with systems and clips' for options)
- Security card for ownership registration and ordering duplicate keys
- Installation and maintenance instructions

### Order example

expert plus (K83)/HZ\_SKAND/305MU/... cylinder options

### Cylinder options as follows:

#### Technical system

##### - Factory systems

penta (K84)

quattro plus (K85)

geminus plus (K87)

##### - Dealer systems

expert plus (K83)

expert (K56)

eco (K82)

matrix (K59)

##### - Legacy systems

penta (K57)

quattro plus (K58)

quattro S (K52)

quattro 1.1 (K51)

quattro 1.0 (K50S)

geminus plus (K81)

geminus T (K54)

geminus S (K53)

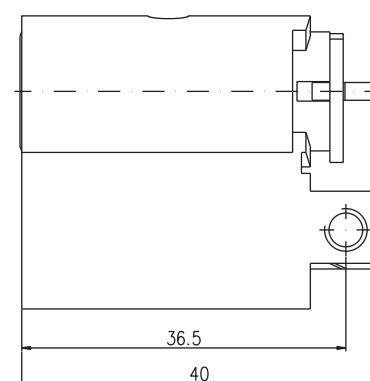
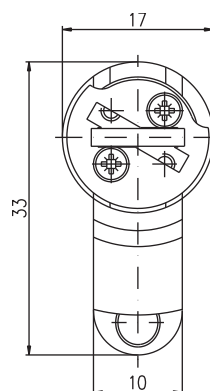
geminus (K50)

expert (S) (K56)

### Surface cylinder

Chrome-plated (CR)

Brass, lacquered (MSL)



# Mortise Door Lock Cylinders

## Scandinavian Cylinders

K.HZ\_SKAND/305 MU | Single Cylinder, Euro Profile

**Surface insert side A**

Chrome-plated (INS-CR)

Brass, untreated (INS-MSR)

**Drilling and pulling protection side A**

Without drilling/pulling protection

**Construction time function**

No construction key system

Construction time function - double life (BAZ)

Construction time function - triple life (BAZ3)

**Tumbler pins**

Pins hardened (ZH\_H)

Pins rust-free (ZH\_RF)

# Mortise Door Lock Cylinders

## Union Profile

### K.UDZ | Union Double Cylinder

#### Application

For all mortise door locks in Union (UK) oval profile. The cam operates the bolt and/or latch in door locks with the key.

#### Specification

- Housing made from solid natural brass, surface nickel-plated
- Reversible key made from nickel silver
- Cam UNIV – universal (98-4-001)

#### Included with the cylinder

- Three reversible keys with a plastic clip (specify separately, see chapter 'Keys with systems and clips' for options)
- One cylinder fastening screw M5 × 70 mm
- Security card for ownership registration and ordering duplicate keys
- Installation and maintenance instructions

#### Order example

quattro plus (K85)/UDZ/30/30/NI/... cylinder options  
 expert plus (K83)/UDZ/45/50/CR/... cylinder options

#### Cylinder options as follows:

##### Technical system

##### - Factory systems

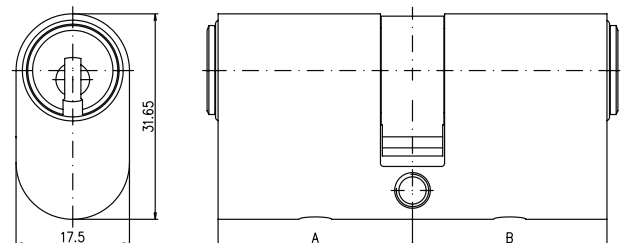
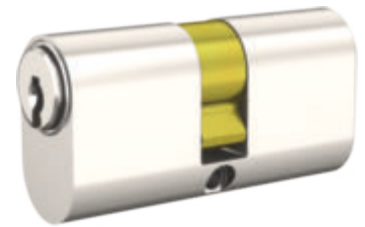
penta (K84)  
 quattro plus (K85)  
 gemini plus (K87)

##### - Dealer systems

expert plus (K83)  
 expert (K56)  
 eco (K82)  
 matrix plus (K86, Twincode)  
 matrix (K59)

##### - Legacy systems

penta (K57)  
 quattro plus (K58)  
 quattro S (K52)  
 quattro 1.1 (K51)  
 quattro 1.0 (K50S)  
 gemini plus (K81)  
 gemini T (K54)  
 gemini S (K53)  
 gemini (K50)  
 expert (S) (K56)



# Mortise Door Lock Cylinders

## Union Profile

### K.UDZ | Union Double Cylinder

#### Length A Ø 17 mm EU

- **Standard length per side:**

30 bis 95 mm in 5-mm-steps

Screw M5 × 75 mm (BS\_M5x75)

Screw M5 × 80 mm (BS\_M5x80)

Screw M5 × 85 mm (BS\_M5x85)

#### Surface DZ side A

Nickel-plated (NI)

Brass, dull (MS)

Chrome-plated (CR)

Brass, polished (MP)

Brass, lacquered (MSL)

Bronzed dark (BD)

#### Surface insert side A

The insert surface finish corresponds to the selected cylinder surface finish in the standard version. Natural brass (INS MS roh) is available for all cylinder finishes except chemically nickel-plated NIC.

Brass, untreated (INS-MSR)

#### Coupling function

Standard function coupling (SFK)

Emergency key function (GF)

#### Cam with screw

Standard: 30°

Optional: 0° to 360° in 15° steps

#### Access function

Duplo function side A (DF-A)

Duplo function side B (DF-B)

Duplo function side A and B (DF-AB)

Service functions SAT1 A + SAT1 B (SAT1-A\_SAT1-B)

#### Construction time function

Construction time function - double life (BAZ)

Construction time function - triple life (BAZ3)

#### Dust cover

Insert dust protection cap 2004 side A (2004-A)

Insert dust protection cap 2004 side B (2004-B)

Insert dust protection cap 2004 side A and B (2004-AB)

#### Tumbler pins

Pins rust-free (ZH\_RF)

Available for selected systems only

#### Cylinder fastening screw

Without cylinder fastening screw (no\_BS)

Screw M5 × 65 mm (BS\_M5x65)

Screw M5 × 70 mm (BS\_M5x70)

# Mortise Door Lock Cylinders

## Union Profile

### K.UHZ | Union Single Cylinder

#### Application

For all mortise door locks in Union (UK) oval profile for key operation on one side of the door. The cam operates the latch and/or bolt of the door lock with the key.

#### Specification

- Housing made from solid natural brass, surface nickel-plated
- Reversible key made from nickel silver
- Cam UNIV – universal (98-4-001)

#### Included with the cylinder

- Three reversible keys with a plastic clip (specify separately, see chapter 'Keys with systems and clips' for options)
- One cylinder fastening screw M5 × 70 mm
- Security card for ownership registration and ordering duplicate keys
- Installation and maintenance instructions

#### Order example

quattro plus (K85)/UHZ/30/NI/... cylinder options

expert plus (K83)/UHZ/45/CR/... cylinder options

#### Cylinder options as follows:

##### Technical system

##### - Factory systems

penta (K84)

quattro plus (K85)

gemini plus (K87)

##### - Dealer systems

expert plus (K83)

expert (K56)

eco (K82)

matrix plus (K86, Twincode)

matrix (K59)

##### - Legacy systems

penta (K57)

quattro plus (K58)

quattro S (K52)

quattro 1.1 (K51)

quattro 1.0 (K50S)

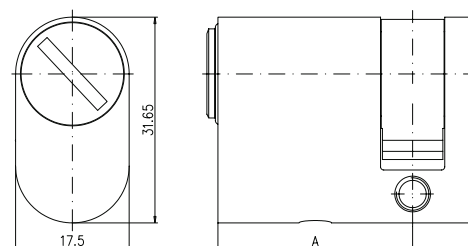
gemini plus (K81)

gemini T (K54)

gemini S (K53)

gemini (K50)

expert (S) (K56)





# Mortise Door Lock Cylinders

## Union Profile

K.UHZ | Union Single Cylinder

### Length A Ø 17 mm EU

30,0  
35,0  
40,0  
45,0  
50,0  
55,0  
60,0

### Surface cylinder

Nickel-plated (NI)  
Brass, dull (MS)  
Chrome-plated (CR)  
Chrome, satin (CRM)  
Brass, polished (MP)

### Surface insert side A

The insert surface finish corresponds to the selected cylinder surface finish in the standard version. Natural brass (INS MS roh) is available for all cylinder finishes except chemically nickel-plated NIC.

Brass, untreated (INS-MSR)

### Cam with screw

Standard: 30°

Optional: 0° to 360° in 15° steps

### Construction time function

Construction time function - double life (BAZ)

Construction time function - triple life (BAZ3)

### Dust cover

Insert dust protection cap 2004 side A (2004-A)

### Tumbler pins

Pins rust-free (ZH\_RF)

### Cylinder fastening screw

Without cylinder fastening screw (no\_BS)

Screw M5 × 65 mm (BS\_M5x65)

Screw M5 × 70 mm (BS\_M5x70)

Screw M5 × 75 mm (BS\_M5x75)

Screw M5 × 80 mm (BS\_M5x80)

Screw M5 × 85 mm (BS\_M5x85)

# Mortise Door Lock Cylinders

## Union Profile

### K.UDKZ | Union Thumbturn Cylinder

#### Application

For all mortise door locks in Union (UK) oval profile. The thumbturn knob is installed on the inside, allowing the door to be safely un/locked from the inside without a key.

#### Specification

- Housing made from solid natural brass, surface nickel-plated
- Reversible key made from nickel silver
- Cam UNIV – universal (98-4-001)

#### Included with the cylinder

- Three reversible keys with a plastic clip (specify separately, see chapter 'Keys with systems and clips' for options)
- One cylinder fastening screw M5 × 70 mm
- Security card for ownership registration and ordering duplicate keys
- Installation and maintenance instructions

#### Order example

quattro plus (K85)/UDKZ/30/30/NI/... cylinder options

expert plus (K83)/UDKZ/45/60/CR/... cylinder options

#### Cylinder options as follows:

##### Technical system

##### - Factory systems

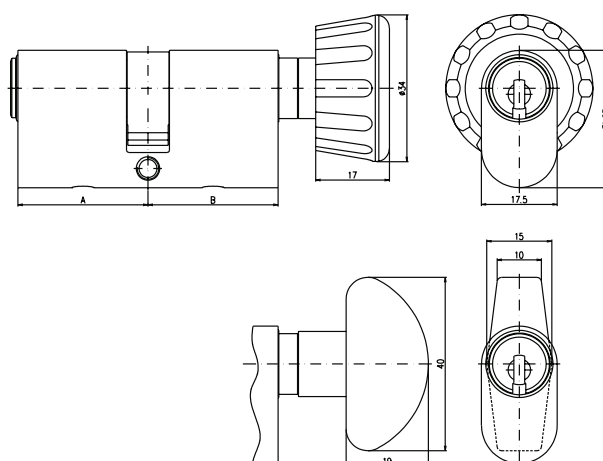
penta cross (K90)  
 penta (K84)  
 quattro plus (K85)  
 gemini plus (K87)

##### - Dealer systems

expert plus (K83)  
 expert (K56)  
 eco (K82)  
 matrix plus (K86, Twincode)  
 matrix (K59)

##### - Legacy systems

penta (K57)  
 quattro plus (K58)  
 quattro S (K52)  
 quattro 1.1 (K51)  
 quattro 1.0 (K50S)  
 gemini plus (K81)  
 gemini T (K54)  
 gemini S (K53)  
 gemini (K50)  
 expert (S) (K56)



# Mortise Door Lock Cylinders

## Union Profile

### K.UDKZ | Union Thumbturn Cylinder

#### Length A Ø 17 mm EU

##### - Standard length per side:

30 bis 95 mm in 5-mm-steps

#### Surface DZ side A

Nickel-plated (NI)

Chemical nickel-plated (NIC)

Chrome-plated (CR)

Brass, polished (MP)

Bronzed medium (BM)

#### Surface insert side A

The insert surface finish corresponds to the selected cylinder surface finish in the standard version. Natural brass (INS MS roh) is available for all cylinder finishes except chemically nickel-plated NIC.

Nickel-plated (INS-NI)

Nickel-plated chemically (INS-NIC)

Chrome-plated (INS-CR)

Brass, polished (INS-MP)

Bronzed medium (INS-BM)

Brass, untreated (INS-MSR)

#### Knob/thumbturn side B

Round knob - standard (RK)

Design thumbturn (DK)

Oval knob D-line (OKD)

For illustrations

#### Cam with screw

Standard: 30°

Optional: 0° to 360° in 15° steps

#### Access function

Service function SAT1 (SAT1)

#### Construction time function

Construction time function - double life (BAZ)

Construction time function - triple life (BAZ3)

#### Dust cover

Insert dust protection cap 2004 side A (2004-A)

#### Tumbler pins

Pins rust-free (ZH\_RF)

#### Cylinder fastening screw

Without cylinder fastening screw (no\_BS)

Screw M5 × 65 mm (BS\_M5x65)

Screw M5 × 70 mm (BS\_M5x70)

Screw M5 × 75 mm (BS\_M5x75)

Screw M5 × 80 mm (BS\_M5x80)

Screw M5 × 85 mm (BS\_M5x85)

# Mortise Door Lock Cylinders

## Round Cylinders

K.RZ 3534 | Round Cylinder, Type 3534

### Application

Round cylinder for Scandinavian door locks, pre-drilled for fastening screws with outside thread for screwing into the lock case

### Specification

- Housing made of natural brass, chrome-plated
- Reversible key made from nickel silver
- Housing with outside thread M29 × 0.75

### Included with the cylinder

- Three reversible keys with a plastic clip (specify separately, see chapter 'Keys with systems and clips' for options)
- Security card for ownership registration and ordering duplicate keys
- Installation and maintenance instructions

### Order example

expert plus (K83)/RZ/3534/CR/... cylinder options

### Cylinder options as follows:

#### Technical system

##### - Dealer systems

expert plus (K83)  
expert (K56)

##### - Legacy systems

quattro plus (K58)

#### Surface cylinder

Chrome-plated (CR)

#### Surface insert side A

The insert surface corresponds to the cylinder surface as standard.

Brass, untreated (INS-MSR)

#### Construction time function

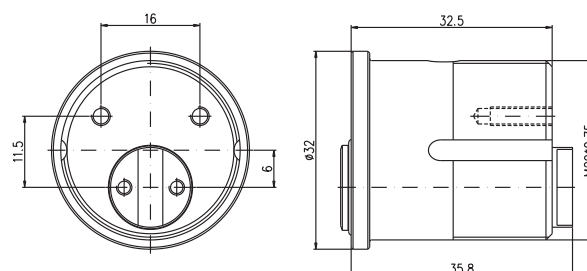
Construction time function - double life (BAZ)  
Construction time function - triple life (BAZ3)

#### Dust cover

Insert dust protection cap 2004 side A (2004-A)

#### Tumbler pins

Pins rust-free (ZH\_RF)



# Mortise Door Lock Cylinders

## Round Cylinders

K.RZ 3568 | Round Cylinder, Type 3568

### Application

Round cylinder for Scandinavian door locks, pre-drilled for fastening screws with outside thread for screwing into the lock case

### Specification

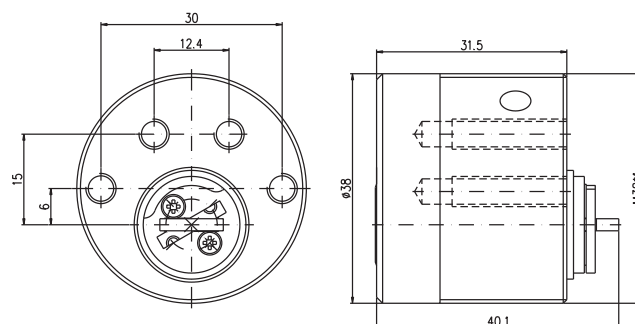
- Housing made of natural brass, chrome-plated
- Reversible key made from nickel silver
- With cam, drawing 2048
- Housing with outside thread M38 × 1

### Included with the cylinder

- Three reversible keys with a plastic clip (specify separately, see chapter 'Keys with systems and clips' for options)
- Security card for ownership registration and ordering duplicate keys
- Installation and maintenance instructions

### Order example

expert plus (K83)/RZ/3568/CR/... cylinder options



### Cylinder options as follows:

#### Technical system

##### - Dealer systems

expert plus (K83)  
 expert (K56)  
 matrix plus (K86, Twincode)  
 matrix (K59)

#### Surface cylinder

Chrome-plated (CR)

#### Surface insert side A

The insert surface corresponds to the cylinder surface as standard.

Brass, untreated (INS-MSR)

#### Construction time function

Construction time function - double life (BAZ)

Construction time function - triple life (BAZ3)

#### Dust cover

Insert dust protection cap 2004 side A (2004-A)

#### Tumbler pins

Pins rust-free (ZH\_RF)

# Mortise Door Lock Cylinders

## Round Cylinders

K.RZ 3568S | Round Cylinder, Type 3568S with Drilling Protection

### Application

Round cylinder for Scandinavian door locks, pre-drilled for fastening screws with outside thread for screwing into the lock case

### Specification

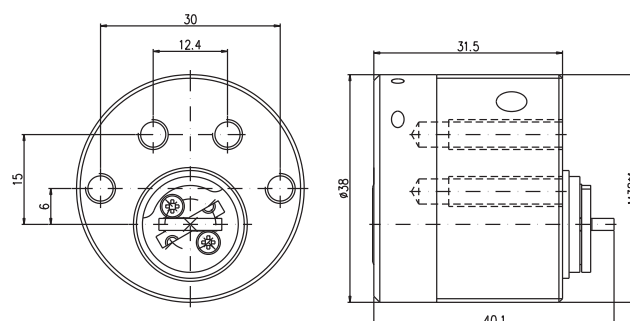
- Housing made of natural brass, chrome-plated
- Reversible key made from nickel silver
- With anti-drilling pins in the housing
- With cam, drawing 2048
- Housing with outside thread M38 × 1

### Included with the cylinder

- Three reversible keys with a plastic clip (specify separately, see chapter 'Keys with systems and clips' for options)
- Security card for ownership registration and ordering duplicate keys
- Installation and maintenance instructions

### Order example

expert plus (K83)/RZ/3568S/CR/NI = system expert plus  
K83/round cylinder/3568S/chrome-plated/insert  
nickel-plated



### Cylinder options as follows:

#### Technical system

##### - Factory systems

penta (K84)  
quattro plus (K85)  
gemini plus (K87)

##### - Dealer systems

expert plus (K83)  
expert (K56)  
matrix plus (K86, Twincode)  
matrix (K59)

##### - Legacy systems

penta (K57)  
quattro plus (K58)  
gemini plus (K81)  
No system (K00)

### System type

Cylinder assembled w/o keying

# Mortise Door Lock Cylinders

## Round Cylinders

K.RZ 3568S | Round Cylinder, Type 3568S with Drilling Protection

### Surface cylinder

Brass, dull (MS)

Chrome-plated (CR)

Brass, lacquered (MSL)

Bronzed (BD)

### Surface insert side A

The insert surface corresponds to the cylinder surface as standard.

Brass, untreated (INS-MSR)

### Construction time function

Construction time function - double life (BAZ)

Construction time function - triple life (BAZ3)

### Dust cover

Insert dust protection cap 2004 side A (2004-A)

### Blind one side

One-sided blind side A (BL-A)

### Tumbler pins

Without tumbler pins

Pins rust-free (ZH\_RF)

# Mortise Door Lock Cylinders

## Round Cylinders

K.RZ\_3578 | Round Cylinder, Type 3578 Inside Cylinder

### Application

Round cylinder for Scandinavian door locks, pre-drilled for fastening screws with outside thread for screwing into the lock case

Compatible with outside round cylinders 3568 and 3568S

### Specification

- Housing made of natural brass, chrome-plated
- Reversible key made from nickel silver
- With cam, drawing 2048
- Housing with outside thread M38 × 1

### Included with the cylinder

- Three reversible keys with a plastic clip (specify separately, see chapter 'Keys with systems and clips' for options)
- Security card for ownership registration and ordering duplicate keys
- Installation and maintenance instructions

### Order example

expert plus (K83)/RZ/3578/CR/... cylinder options

### Cylinder options as follows:

#### Technical system

##### - Factory systems

penta (K84)

quattro plus (K85)

gemini plus (K87)

##### - Dealer systems

expert plus (K83)

expert (K56)

matrix plus (K86, Twincode)

matrix (K59)

##### - Legacy systems

penta (K57)

quattro plus (K58)

gemini plus (K81)

#### Surface cylinder

Nickel-plated (NI)

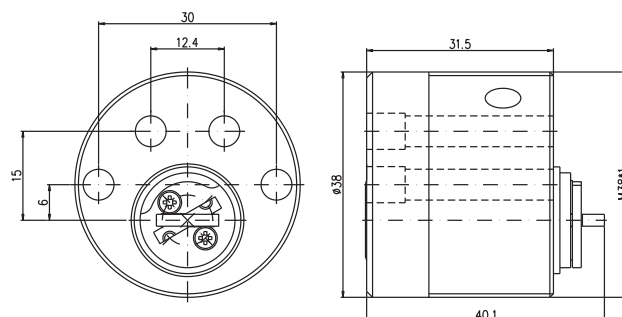
Chrome-plated (CR)

Brass, lacquered (MSL)

#### Surface insert side A

The insert surface corresponds to the cylinder surface as standard.

Brass, untreated (INS-MSR)





# Mortise Door Lock Cylinders

## Round Cylinders

K.RZ\_3578 | Round Cylinder, Type 3578 Inside Cylinder

### **Construction time function**

Construction time function - double life (BAZ)

Construction time function - triple life (BAZ3)

### **Dust cover**

Insert dust protection cap 2004 side A (2004-A)

### **Tumbler pins**

Pins rust-free (ZH\_RF)

# Mortise Door Lock Cylinders

## Round Cylinders

K.RZ\_4050 | Round Cylinder, Type 4050

### Application

For Scandinavian mortise door locks  
Can be used as an outside and inside cylinder  
The cam operates the bolt and latch with key operated latch retraction function.

### Specification

- Housing made of natural brass, chrome-plated
- Reversible key made from nickel silver

### Included with the cylinder

- Three reversible keys with a plastic clip (specify separately, see chapter 'Keys with systems and clips' for options)
- Security card for ownership registration and ordering duplicate keys
- Installation and maintenance instructions

### Order example

expert plus (K83)/RZ/4050/CR/... cylinder options

### Options as follows:

#### Technical system

##### - Factory systems

quattro plus (K85)

##### - Dealer systems

expert plus (K83)

expert (K56)

##### - Legacy systems

quattro S (K52)

#### Surface cylinder

Nickel-plated (NI)

Brass, dull (MS)

Chrome-plated (CR)

Chrome, satin (CRM)

#### Surface insert side A

The insert surface corresponds to the cylinder surface as standard.

Brass, untreated (INS-MSR)

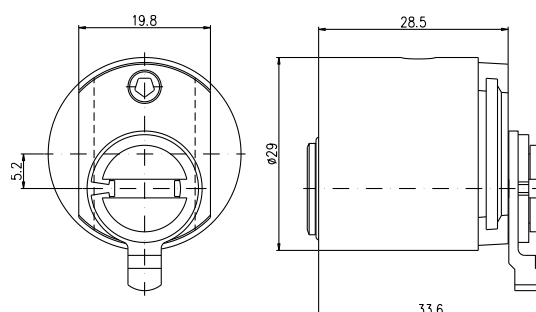
#### Construction time function

Construction time function - double life (BAZ)

Construction time function - triple life (BAZ3)

#### Dust cover

Insert dust protection cap 2004 side A (2004-A)



# Mortise Door Lock Cylinders

## Round Cylinders

K.RZ\_4050 | Round Cylinder, Type 4050


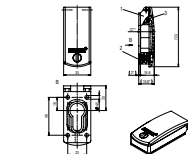

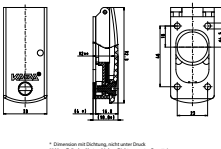
**Tumbler pins**

Pins rust-free (ZH\_RF)

# Mortise Door Lock Cylinders

## Mortise Door Lock Accessories

### 2030 | Weather Protection Cap

Bestellcode	Beschreibung	Bild	Maßzeichnung
KLAPPROSETTE/2030/ PZ 2011729322	<p><b>Application:</b> For camlock cylinders subject to weather. Protects the cylinder from the effects of weather and dust and helps to keep the cylinder in service longer. Easy installation with adhesive strip or with four screws.</p> <p><b>Specification:</b> black plastic material The cap can be opened and closed with a screwdriver. Bored for optional installation with four screws (screws not included).</p> <p><b>Included with delivery:</b> double-sided tape</p> <p>Weather protection cap, black plastic, Euro profile 17 mm</p>		
K/ROSETTE/ FLAP/2030/RZ 2011729321	<p>Weather protection cap, black plastic, round profile, 22 mm</p>		

\* Dimensionen sind in mm angegeben.  
\*\* Bitte Zylinder Abmaß nach Dichtung und/oder Rosette!

# Camlocks

## K.BMZ\_1031/1061 | Camlock

### Application

Camlock cylinder with hex nut fastening, suitable for installation in wood and metal

### Specification

- Housing made from solid natural brass, surface nickel-plated
- Zinc-coated steel cam
- Nickel-plated brass hex fastening nut
- Reversible key made from nickel silver

### Included with the cylinder

- Two reversible keys (see 'Special functions and keys' for key options)
- One zinc-coated steel cam 40 mm flat (1061-6ZK)
- One hex nut 1031-5 for cylinder type 1031/1061, 1031A/1061A and 1031GB/1061GB  
One hex nut 1031-16A or optionally 1126-1 for cylinder type 1031G/1061G
- Security card for ownership registration and ordering duplicate keys
- Installation and maintenance instructions

### Order example

expert plus (K83)/BMZ/1031/NI/... cylinder options



Type 1031/1061



Type 1031A/1061A



Type 1031G/1061G



Type 1031GB/1061GB

# Camlocks

## K.BMZ\_1031/1061 | Camlock

### Technical system

#### - Factory systems

- penta cross (K90)
- penta (K84)
- quattro plus (K85)
- gemini plus (K87)

#### - Dealer systems

- expert cross (K89)
- expert plus (K83)
- expert (K56)
- eco (K82)
- matrix plus (K86, Twincode)
- matrix (K59)
- entro (K91, Twincode)

#### - Legacy systems

- penta (K57)
- quattro plus (K58)
- quattro S (K52)
- quattro 1.1 (K51)
- quattro 1.0 (K50S)
- gemini plus (K81)
- gemini T (K54)
- gemini S (K53)
- gemini (K50)
- expert (S) (K56)

### Type cylinder

#### Type 1031

- One key retraction position, only when locked
- Key rotation: 90°
- Distance to cam: 25.5 mm

#### Type 1031A

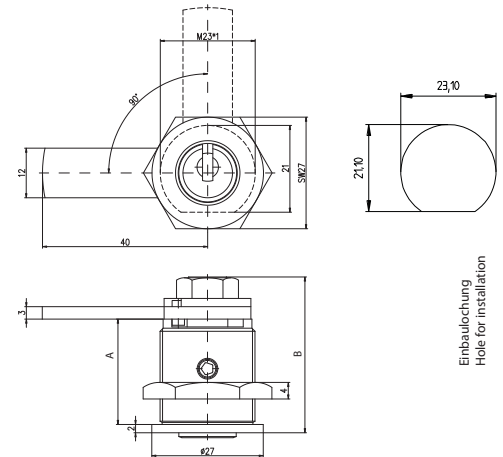
- One key retraction position, only when locked
- Key rotation: 90°
- Distance to cam: 30 mm

#### Type 1061

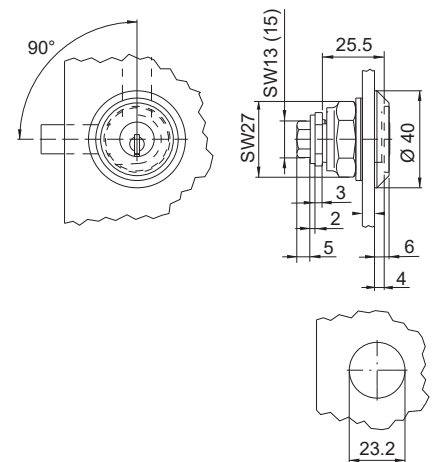
- Two key retraction positions when locked and unlocked
- Key rotation: 360°
- Distance to cam: 25.5 mm

#### Type 1061A

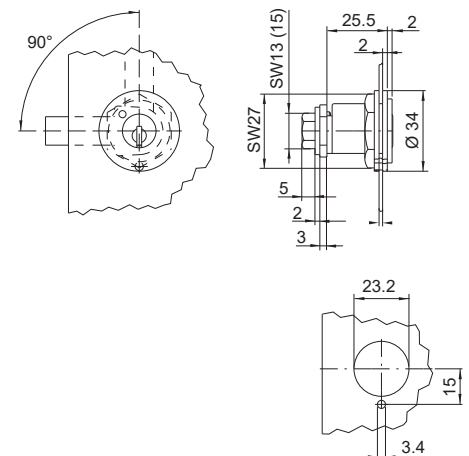
- Two key retraction positions when locked and unlocked
- Key rotation: 360°
- Distance to cam: 30 mm



1031/1061 – 1031A/1061A



1031G/1061G



1031GB/1061GB

# Camlocks

## K.BMZ\_1031/1061 | Camlock

### Type 1031G

- For glass doors 5 to 7 mm thick
- The standard cam is suitable for right-and left-hinged doors and for drawers.
- One key retraction position, only when locked
- Key rotation: 90°

### Type 1061G

- For glass doors 5 to 7 mm thick
- The standard cam is suitable for right-and left-hinged doors and for drawers
- Two key retraction positions when locked and unlocked
- Key rotation: 360°

### Type 1031GB

- For sheet metal doors 0.5 to 2 mm thick
- The standard cam is suitable for right-and left-hinged doors and for drawers.
- One key retraction position, only when locked
- Key rotation: 90°

### Type 1061GB

- For sheet metal doors 0.5 to 2 mm thick
- The standard cam is suitable for right-and left-hinged doors and for drawers.
- Two key retraction positions when locked and unlocked
- Key rotation: 360°

### Surface cylinder

Nickel-plated (NI)  
 Brass, dull (MS)  
 Nickel-plated chemically (NIC)  
 Chrome-plated (CR)  
 Chrome, satin (CRM)  
 Chrome, polished (CRP)  
 Brass, polished (MP)  
 Bronzed light (BH)  
 Bronzed medium (BM)  
 Bronzed (BD)  
 Blackened (GSW)  
 Antique (ALTB)

### Surface insert side A

The insert surface corresponds to the cylinder surface as standard.

Brass, untreated (INS-MSR)

### Cams

Types and description see in the following

### Nut

Nut 1126-1 (1126-1) ... for cylinder type 1031G  
 Nut 1031-16 (1031-16) ... for cylinder type 1031

### Drilling and pulling protection side A

Anti-drill protec. insert

### Access function

Service function SAT1 (SAT1)

### Construction time function

Construction time function - double life (BAZ)  
 Construction time function - triple life (BAZ3)

### Dust cover

Insert dust protection cap 2004 side A (2004-A)

### Installed

Mounted in key deposit tube KD  
 Mounted in case

### Tumbler pins

Pins rust-free (ZH\_RF)

# Cams for Camlock Cylinders

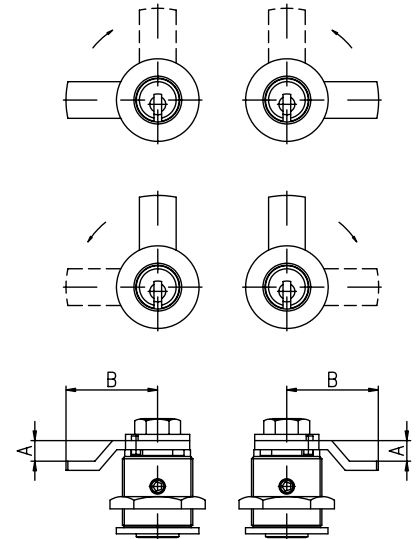
## K.BMZ\_1031/1061

**Table 1:**

Cam Order code	Dim. in mm	
	A	B
1061-66	0	14
1061-68	0	20
1061-70	0	25
1061-6M	0	30
1061-6ZK	0	40 (Standard)
1061-6M1	0	50
1061-6Q1	1	28
1061-6Q	1	40
1061-6Q2	1	50
1061-6Z1	2	28
1061-6Z	2	40
1061-6Z2	2	50
1061-6S1	3	28
1061-6S	3	39,5
1061-6S4	3	50
1061-6T1	4	28
1061-6T	4	39
1061-6T2	4	50
1061-6U1	5	28
1061-6U	5	38,5
1061-6U3	5	40
1061-6U2	5	50
1061-6E1	6	28
1061-6E	6	38
1061-6E3	6	40
1061-6E2	6	50
1061-6H2	7	28
1061-6H	7	37
1061-6H4	7	40
1061-6H3	7	50
1061-6V1	8	28
1061-6V	8	37
1061-6V3	8	40
1061-6V2	8	50
1061-6W1	10	28 (Renz)
1061-6W	10	35
1061-6W3	10	40
1061-6W2	10	50
1061-6X1	12	28
1061-6X	12	33
1061-6X3	12	40
1061-6X2	12	50
1061-6Y2	14	28
1061-6Y	14	31,5
1061-6Y4	14	40
1061-6Y3	14	50
1061-6A2	16	30
1061-6A1	16	40
1061-6A	16	50
1061-6B2	18	30
1061-6B1	18	40
1061-6B	18	50
1061-6C2	20	30
1061-6C1	20	40
1061-6C	20	50

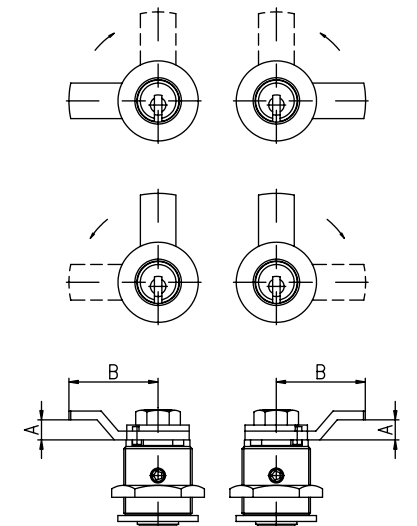
**Table 2:**

Cam Order code	Dim. in mm	
	A	B
1061-66	0	14
1061-68	0	20
1061-70	0	25
1061-6M	0	30
1061-6ZK	0	40
1061-6M1	0	50
1061-96Q1	1	28
1061-96Q	1	40
1061-96Q2	1	50
1061-96Z1	2	28
1061-96Z	2	40
1061-96Z2	2	50
1061-96S2	3	28
1061-96S	3	39,5
1061-96S4	3	50
1061-96T1	4	28
1061-96T	4	39
1061-96T2	4	50
1061-96U1	5	28
1061-96U	5	38,5
1061-96U3	5	40
1061-96U2	5	50
1061-96E1	6	28
1061-96E	6	38
1061-96E3	6	40
1061-96E2	6	50
1061-96H2	7	28
1061-96H	7	37
1061-96H4	7	40
1061-96H3	7	50
1061-96V1	8	28
1061-96V	8	37
1061-96V3	8	40
1061-96V2	8	50
1061-96W1	10	28 (Renz)
1061-96W	10	35
1061-96W3	10	40
1061-96W2	10	50
1061-96X1	12	28
1061-96X	12	33
1061-96X3	12	40
1061-96X2	12	50
1061-96Y2	14	28
1061-96Y	14	31,5
1061-96Y4	14	40
1061-96Y3	14	50
1061-96A2	16	30
1061-96A1	16	40
1061-96A	16	50
1061-96B2	18	30
1061-96B1	18	40
1061-96B	18	50
1061-96C2	20	30
1061-96C1	20	40
1061-96C	20	50



right, Table 1

left, Table 2

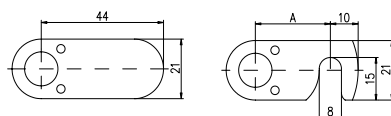


right, Table 1

left, Table 2

Cam No.	Dim. A in mm
1061-601A	18
1061-601B	22
1061-601C	27
1061-601D	32

Dim. A in mm



1061-601

1061-601 A, B, C, D

Cams 1061-601 und 1061-601A, B, C, and D can be used left and right.





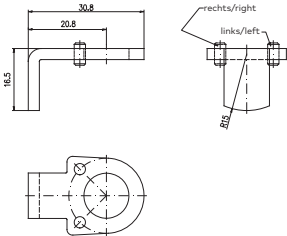
# Cams for Camlock Cylinders

## K.BMZ\_1031/1061

Description / Order code


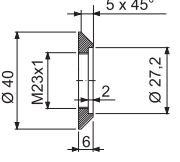

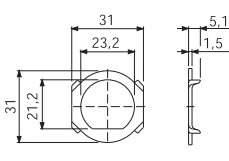

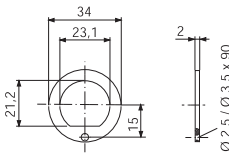

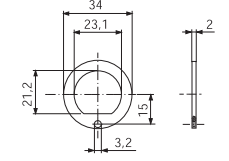

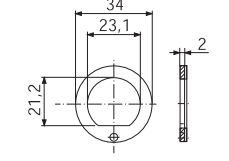

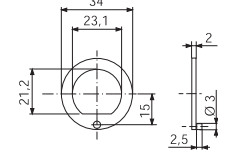

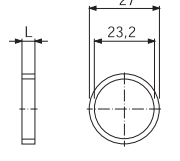
Dim. Drawing

Z00-4-096-LI  
Z00-4-096-RE



# Camlocks

## Accessories for Camlock Cylinder BMZ 1031/1061

Bestellcode	Beschreibung	Bild	Maßzeichnung
	Rosette drawing 1031-29		
K/ROSETTE/ ZK1031-29/NI 2011728975	Nickel-plated		
K/ROSETTE/ ZK1031-29/BD 2011605010	Dark brown		
K/SECURITY/ DISC/1031/20 2011728911	Lock washer, drawing no. 1031-20 Prevents cylinder assembly from turning For wood or plastic doors Material: zinc-coated steel		
K/SECURITYS/ DISC/1031/23 2011728910	Lock washer, drawing no. 1031-23 For welding to the surface Material: bare steel		
K/SECURITYS/DISC/ ZK1031-23A 2011728907	Lock washer, drawing no. 1031-23A Prevents turning on sheet metal surfaces Material: nickel-plated steel		
K/SECURITYS/ DISC/1031/23B 2011728909	Lock washer, drawing no. 1031-23B Prevents turning on glass surfaces Material: nickel-plated steel		
K/SECURITYS/ DISC/1031/24A 2011728908	Lock washer, drawing no. 1031-24A With guide for drilling Material: nickel-plated steel		
	Spacer sleeve for BMZ 1031/1061 Material: nickel-plated brass		
K/SPACER/ SLEEVE/1031/2,5MM 2011729445	Drawing no.: 1031-21 Length L: 2.5 mm		
K/SPACER/ SLEEVE/1031/5MM 2011729444	Drawing no.: 1031-17 Length L: 5 mm		
K/SPACER/ SLEEVE/1031/10MM 2011729449	Drawing no.: 1031-18 Length L: 10 mm		

# Camlocks

## Accessories for Camlock Cylinder BMZ 1031/1061

Bestellcode	Beschreibung	Bild	Maßzeichnung
K/SPACER/ SLEEVE/1031/12MM 2011729448	Drawing no.: 1031-25 Length L: 12 mm		
K/SPACER/ SLEEVE/1031/14MM 2011729447	Drawing no.: 1031-19 Length L: 14 mm		
K/SPACER/ SLEEVE/1031/15,5MM 2011729446	Drawing no.: 1031-26 Length L: 15.5 mm		



# Camlocks

## K.BMZ\_1090 | Camlock Cylinder

quattro S (K52)  
quattro 1.1 (K51)  
quattro 1.0 (K50S)  
gemini T (K54)  
gemini S (K53)  
gemini (K50)  
expert (S) (K56)  
No system (K00)

### Surface cylinder

Nickel-plated (NI)  
Brass, dull (MS)  
Nickel-plated chemically (NIC)  
Chrome-plated (CR)  
Chrome, polished (CRP)  
Brass, polished (MP)

### Cams

Types and description see in the following

### Fixing plate

Without fixing plate  
Fixing plate RENZ ZG028714 (PL\_ZG028714)

### Access function

Service function SAT1 (SAT1)

### Construction time function

Construction time function - double life (BAZ)  
Construction time function - triple life (BAZ3)

### Dust cover

Insert dust protection cap 2004 side A (2004-A)

### Weather protection

Protection cover (SKL)

### Installed

Mounted in HBFA (HBFA)

### Tumbler pins

Pins hardened (ZH\_H)  
Pins rust-free (ZH\_RF)

### Type

Standard  
JU for single mailbox EF

### Rosette

Without rosette (O\_RO)  
Rosette, round BMZ (R\_RO)

# K.BMZ\_1090 | Cams

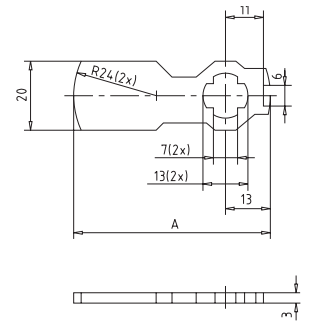
Description / Order code

Dim. A

Dim. Drawing

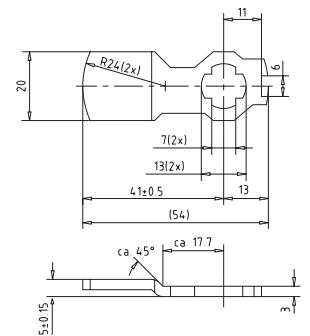
Z210.027.701  
 Z210.197.701  
 Z210.028.710  
 Z210.027.712  
 Z210.210.701  
 Z210.027.714  
 Z210.027.702

57 mm  
 39 mm  
 43 mm  
 47.5 mm  
 53 mm  
 57,5 mm  
 72 mm



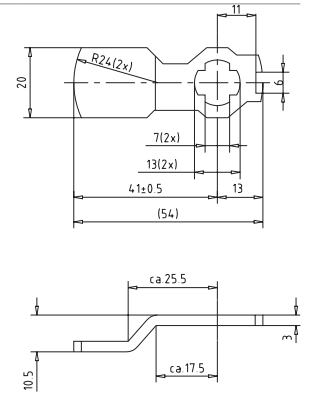
Z210.027.711  
 Z210.027.705

47,5 mm  
 54 mm

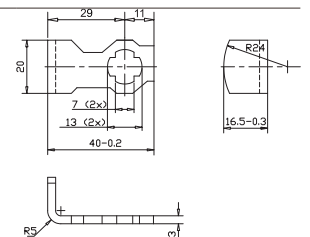


Z210.213.703

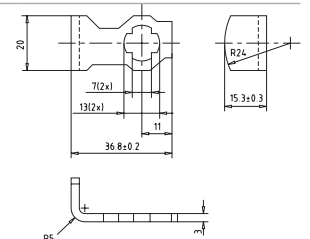
43 mm



Z210.028.712 JUNI I



Z210.028.707 RENZ I



# K.BMZ\_1090 | Cams

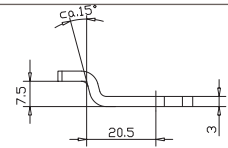
Description / Order code

Dim. A

Dim. Drawing

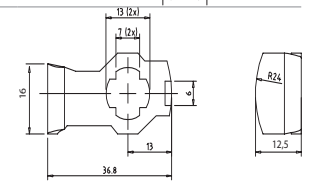
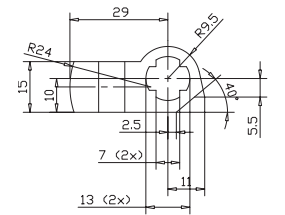
Z210.028.708 RENZ II

39 mm



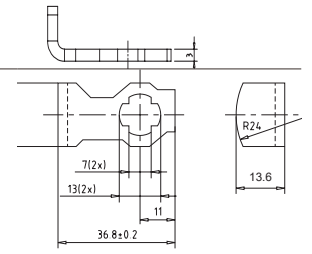
Z210.028.717/1

36,8 mm



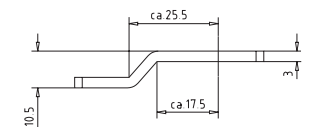
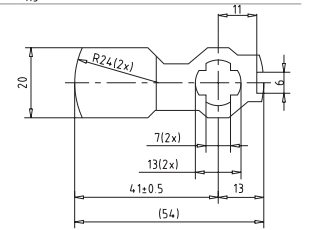
Z210.201.754

36,8 mm



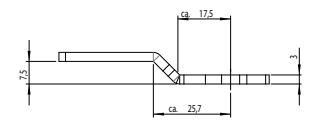
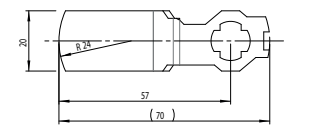
Z210.213.701

54 mm



Z210.027.703

70 mm





# K.BMZ\_1090 | Cams

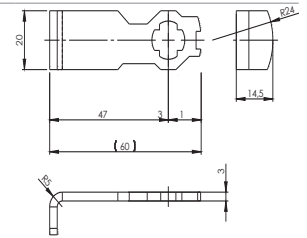
Description / Order code

Dim. A

Dim. Drawing

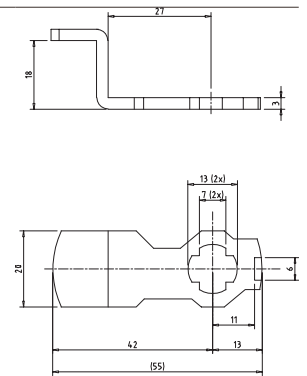
Z210.212.701

60 mm



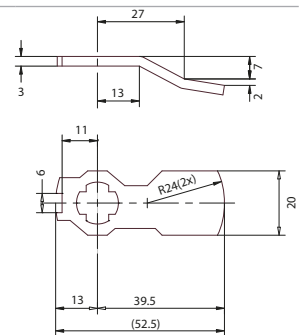
Z210.210.704

55 mm



Z210.027.710

52,5 mm

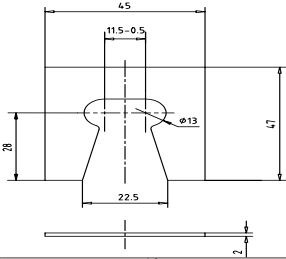


# Installation Plates for BMZ\_1090

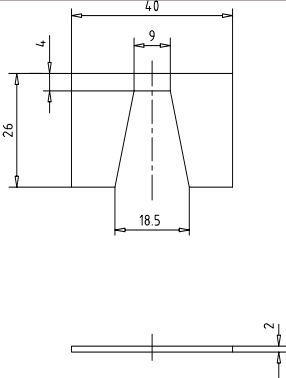
Art.No. Drawing number

Dim. Drawing

Z210.703-PL



Z028.714-PL



# Camlocks

## K.BMZ\_1091 | Camlock Cylinder

### Application

Camlock cylinder with hex nut fastening, suitable for installation in wood and metal  
Key rotation 90° to the right, key can only be removed when locked.

### Specification

- Housing made from solid natural brass, surface nickel-plated
- Zinc-coated steel cam
- Nickel-plated brass hex fastening nut
- Reversible key made from nickel silver
- Without rosette

### Included with the cylinder

- Two reversible keys (see 'Special functions and keys' for key options)
- One standard cam 210.201.701
- One fastening nut M24 × 1, hex size 27 mm
- Security card for ownership registration and ordering duplicate keys
- Installation and maintenance instructions

### Order example

penta (K84)/BMZ/1091/NI/... cylinder options  
expert plus (K83)/BMZ/1091/CR/Z210.023.704/BAZ

### Cylinder options as follows:

#### Technical system

##### - Factory systems

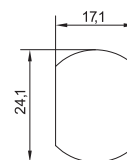
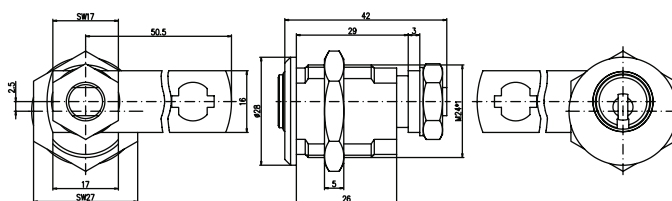
penta cross (K90)  
penta (K84)  
quattro plus (K85)  
gemini plus (K87)

##### - Dealer systems

expert cross (K89)  
expert plus (K83)  
expert (K56)  
eco (K82)  
matrix plus (K86, Twincode)  
matrix (K59)

##### - Legacy systems

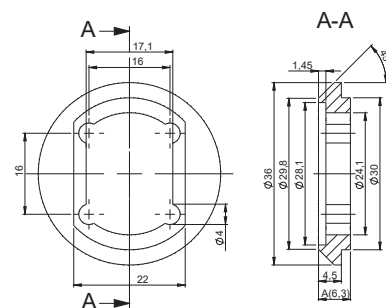
penta (K57)  
quattro plus (K58)  
quattro S (K52)  
quattro 1.1 (K51)  
quattro 1.0 (K50S)  
gemini plus (K81)



Mounting hole



Rosette AK465



Rosette AK465 V2 A = 6.3 mm, V5 A = 9.3 mm

# Camlocks

## K.BMZ\_1091 | Camlock Cylinder

gemi T (K54)  
gemi S (K53)  
gemi (K50)  
expert (S) (K56)  
No system (K00)

### Surface cylinder

Nickel-plated (NI)  
Brass, dull (MS)  
Nickel-plated chemically (NIC)  
Chrome-plated (CR)  
Brass, polished (MP)

### Surface insert side A

The insert surface corresponds to the cylinder surface as standard.

Brass, untreated (INS-MSR)

### Cams

Types and description see in the following

### Access function

Service function SAT1 (SAT1)

### Construction time function

Construction time function - double life (BAZ)  
Construction time function - triple life (BAZ3)

### Dust cover

Insert dust protection cap 2004 side A (2004-A)

### Installed

Mounted in key dep. tube KD1  
Mounted in HBFA (HBFA)

### Tumbler pins

Pins rust-free (ZH\_RF)

### Type

JU for single mailbox EF  
AK465 (1091)  
AK754 (rotating direct. left)

### Rosette

Rosette AK465 2 mm (ROS AK465-2)  
Rosette AK465 5 mm (ROS AK465-5)

# K.BMZ\_1091 | Cams

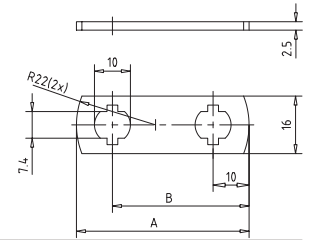
Description

Dim. A

Dim. Drawing

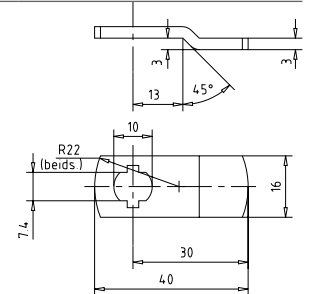
Z210.201.701  
 Z210.023.702  
 Z210.023.704  
 Z210.201.726  
 Z210.201.730  
 Z210.023.708  
 Z210.200.705

60,5 mm  
 37,5 mm  
 40 mm  
 43 mm  
 45 mm  
 48 mm  
 50 mm



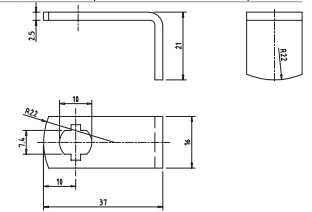
Z210.023.701

40 mm



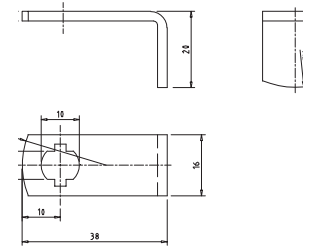
Z210.201.743 JUNIE I

37 mm



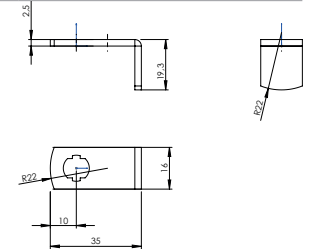
Z210.201.742 JUNIE II

38 mm



Z210.201.747 RENZ I

35 mm

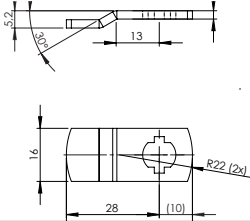
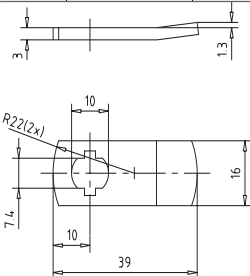
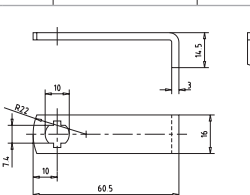
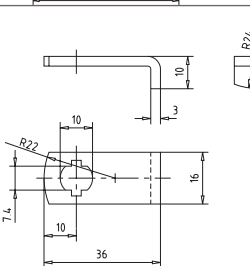
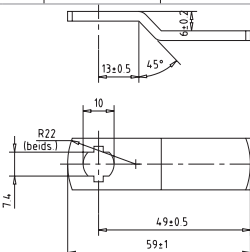
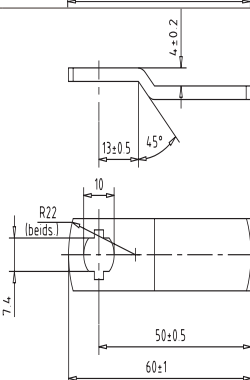


# K.BMZ\_1091 | Cams

Description

Dim. A

Dim. Drawing

Z210.201.748 RENZ II	38 mm	
Z210.201.702	39 mm	
Z210.201.703	60,5 mm	
Z210.201.713 Wertheim	36 mm	
Z210.201.714	59 mm	
Z210.201.715	60 mm	

# K.BMZ\_1091 | Cams

Description

Dim. A

Dim. Drawing

Z210.201.719	60 mm	
Z210.201.785	75 mm	
Z210.201.780 fire brigade	43 mm	
Z210.201.783	50 mm	

# K.BMZ\_1091 | Cams

Description	Dim. A	Dim. Drawing
Z210.023.705	34 mm	
Z210.201.788 41	41 mm	
Z210.201.788/1	41 mm	
Z210.201.716	35 mm	
Z01013-02/01 48 mm horizontal	48 mm	



# Camlocks

## K.BMZ\_83-3-032 | Camlock Cylinder

### Application

Camlock cylinder with hex nut  
Key rotation 90°

### Specification

- Housing made from solid natural brass, surface nickel-plated
- Zinc-coated steel cam
- Nickel-plated brass hex fastening nut
- Closing direction right
- Reversible key made from nickel silver

### Included with the cylinder

- Two reversible keys (see 'Special functions and keys' for key options)
- One cam 93-4-227
- One fastening nut M19 × 1, hex size 24 mm (92-4-058)
- Security card for ownership registration and ordering duplicate keys
- Installation and maintenance instructions

### Order example

penta (K84)/BMZ/83-3-032/NI/... cylinder options  
expert plus (K83)/BMZ/83-3-032/CR/BAZ3

### Cylinder options as follows:

#### Technical system

##### - Factory systems

penta cross (K90)  
penta (K84)

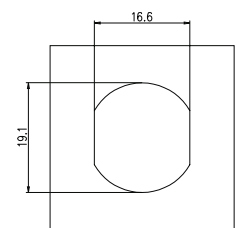
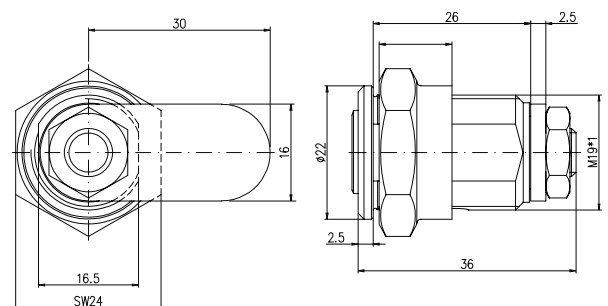
quattro plus (K85)  
gemini plus (K87)

##### - Dealer systems

expert cross (K89)  
expert plus (K83)  
expert (K56)  
eco (K82)  
matrix plus (K86, Twincode)  
matrix (K59)  
entro (K91, Twincode)

##### - Legacy systems

penta (K57)  
quattro plus (K58)  
quattro S (K52)  
quattro 1.1 (K51)  
quattro 1.0 (K50S)  
gemini plus (K81)  
gemini T (K54)



Mounting hole

# Camlocks

## K.BMZ\_83-3-032 | Camlock Cylinder

gemi S (K53)  
 gemini (K50)  
 expert (S) (K56)  
 No system (K00)

### Locking direction

Left (L)

### Surface cylinder

Nickel-plated (NI)  
 Brass, dull (MS)  
 Nickel-plated chemically (NIC)  
 Chrome-plated (CR)  
 Chrome, satin (CRM)  
 Chrome, polished (CRP)  
 Brass, polished (MP)  
 Bronzed light (BH)  
 Bronzed medium (BM)  
 Bronzed (BD)  
 Blackened (GSW)  
 Antique (ALTB)  
 Gold-plated (GO)

### Surface insert side A

The insert surface corresponds to the cylinder surface as standard.

Brass, dull (INS-MS)

### Cams

With cam 98-4-030  
 With cam AK766  
 With cam AK769  
 Ohne Riegel (O\_CAM)

For details on cams

### Nut

With nut 84-4-011

### Drilling and pulling protection side A

Anti-drill protec. insert

### Access function

Service function SAT1 (SAT1)

### Construction time function

Construction time function - double life (BAZ)  
 Construction time function - triple life (BAZ3)

### Dust cover

Insert dust protection cap 2004 side A (2004-A)

### Tumbler pins

Pins rust-free (ZH\_RF)

### Type

AK739 (MTRC)  
 AK568 (ext. port)  
 AK885 (length 40)  
 AK885 (length 50)  
 AK584 (insert flush fitting)  
 AK704 (special cam movem.)

# Camlocks

## Cams and Accessories for K.BMZ.83-3-032 | Camlock Cylinder

Bestellcode	Beschreibung	Bild	Maßzeichnung
K/RIEGEL/83-3-032/AK150 2011729002	Cam for BMZ 83-3-032 AK150		
K/RIEGEL/93-4-227/AK622 2011729000	Cam for camlock 83-3-032		
K/RIEGEL/83-3-032/AK766 2011728998	Cam for camlock 83-3-032		
K/RIEGEL/83-3-032/AK769 2011728997	Cam for camlock 83-3-032		
HÜLSENMUTTER.83-3-032. MS.M19X1 2011405137	Sleeve hex nut/83-3-032/NI/M19X1 Nickel-plated Drawing 92-4-058		
HÜLSENMUTTER.83-3-032. MS.M19X1 2011405136	Sleeve hex nut/83-3-032/MS/M19X1 Brass Drawing no. 92-4-058		
MUTTER.83-3-032.NI.M19X1 2011405122	Hex nut/83-3-032/NI/M19X1 Nickel-plated Drawing no. 84-4-011		
MUTTER.83-3-032.MS. M19X1 2011404975	Hex nut/83-3-032/MS/M19X1 Brass dull Drawing no. 84-4-011		
MUTTER.83-3-032.CR. M19X1 2011609316	Hex nut/83-3-032/CR/M19X1 Chrome plated Drawing no. 84-4-011		

# Camlocks

## K.BMZ\_4007 | Camlock Cylinder M27x1

### Specification

- Housing made from solid natural brass, surface nickel-plated
- Housing with outside thread M27 × 1
- Width across flats 19.5 mm
- Without cam
- Closing direction right
- Reversible key made from nickel silver

### Included with the cylinder

- Two ea. reversible keys, specify key type (details in chapter 'Keys with Systems and Clips')
- Security card for ownership registration and ordering duplicate keys
- Installation and maintenance instructions

### Order example

expert plus (K83)/BMZ/4007/CR/... cylinder options

### Cylinder options as follows:

#### Technical system

##### - Dealer systems

expert plus (K83)  
expert (K56)

##### - Legacy systems

quattro plus (K58)  
quattro S (K52)  
gemini plus (K81)

#### Locking direction

Left (L)

#### Surface cylinder

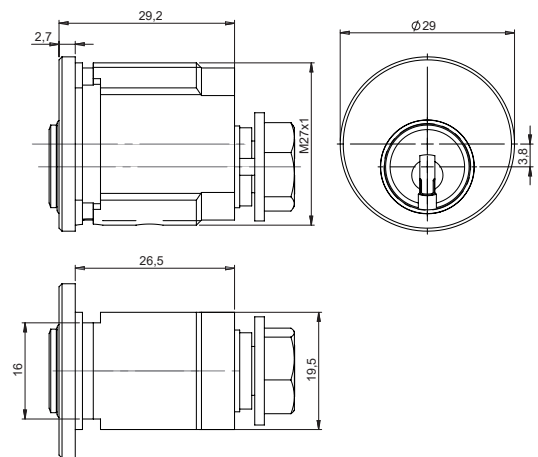
Nickel-plated (NI)  
Brass, dull (MS)  
Chrome-plated (CR)  
Bronzed (BD)

#### Surface insert side A

The insert surface finish corresponds to the selected cylinder surface finish in the standard version. Natural brass (INS MS roh) is available for all cylinder finishes except chemically nickel-plated NIC.

#### Construction time function

Construction time function - double life (BAZ)  
Construction time function - triple life (BAZ3)



# Camlocks

K.BMZ\_4007 | Camlock Cylinder M27x1

**Dust cover**

Insert dust protection cap 2004 side A (2004-A)  
2004 prepared side A

**Tumbler pins**

Pins rust-free (ZH\_RF)

# Padlocks

## K.VHS\_90/92/93 | Padlock with Spring-Loaded Shackle

### Application

Suitable for universal use indoors and outdoors. The shackle can be locked without a key by simply pushing it into the housing.

### Specification

- Housing supplied in solid natural brass with nickel plating
- Shackle made of hardened steel, chrome-plated
- Reversible key made from nickel silver

### Included with the cylinder

- Two reversible keys (see 'Special functions and keys' for key options)
- Security card for ownership registration and ordering duplicate keys
- Installation and maintenance instructions

### Order example

penta (K84)/VHS/90/NI/... cylinder options  
K/SYS/VHS/92/NI (without system and without insert)

### Cylinder options as follows:

Clear shackle height	Shackle width	Type cylinder
25 mm	19.8 mm	90
50 mm	19.8 mm	92
76 mm	19.8 mm	93

### Technical system

#### - Factory systems

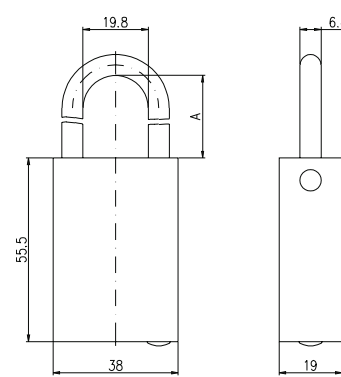
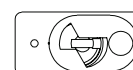
penta cross (K90)  
penta (K84)  
quattro plus (K85)  
gemini plus (K87)

#### - Dealer systems

expert cross (K89)  
expert plus (K83)  
expert (K56)  
eco (K82)  
matrix plus (K86, Twincode)  
matrix (K59)  
entro (K91, Twincode)

#### - Legacy systems

penta (K57)  
quattro plus (K58)  
quattro S (K52)  
quattro 1.1 (K51)  
quattro 1.0 (K50S)



# Padlocks

## K.VHS\_90/92/93 | Padlock with Spring-Loaded Shackle

gemini plus (K81)  
gemini T (K54)  
gemini S (K53)  
gemini (K50)  
expert (S) (K56)  
No system (K00)

### **Surface cylinder**

Nickel-plated (NI)

### **Surface insert side A**

Nickel-plated (INS-NI)  
Brass, dull (INS-MS)  
Nickel-plated chemically (INS-NIC)  
Brass, untreated (INS-MSR)

### **Shackle type**

Shackle hardened steel (HS)  
Shackle stainless (RF)

### **Construction time function**

Construction time function - double life (BAZ)  
Construction time function - triple life (BAZ3)

### **Tumbler pins**

Pins rust-free (ZH\_RF)

# Padlocks

## K.VHS\_2001 | Padlock, 7 mm Shackle Diameter

### Application

Suitable for universal use indoors and outdoors, key retraction only when the shackle is closed

### Specification

- Housing supplied in solid natural brass with nickel plating
- The key can only be retracted when the shackle is in the locked position.
- Shackle made of hardened steel, chrome-plated or stainless steel
- Reversible key made from nickel silver
- Shackle diameter: 7mm  
For types N and P

### Included with the cylinder

- Two reversible keys (see 'Special functions and keys' for key options)
- Security card for ownership registration and ordering duplicate keys
- Installation and maintenance instructions

### Order example

expert plus (K83)/VHS/2001/NI/... cylinder options

### Cylinder options as follows:

Type cylinder	Clear shackle height	Shackle width	Shackle type
2001	24 mm	22 mm	Stainless steel, chrome-plated
2001B	40 mm	22 mm	Stainless steel, chrome-plated
2001C	24 mm	22 mm	Stainless steel (RF)
2001D	40 mm	22 mm	Stainless steel (RF)
2001F	70 mm	22 mm	Stainless steel (RF)
2001G	100 mm	22 mm	Stainless steel (RF)
2001N	24 mm	22 mm	Stainless steel (RF)
2001P	40 mm	22 mm	Stainless steel (RF)
2001S	24.5 mm	22 mm	Stainless steel (RF)

### Technical system

#### - Factory systems

penta cross (K90)

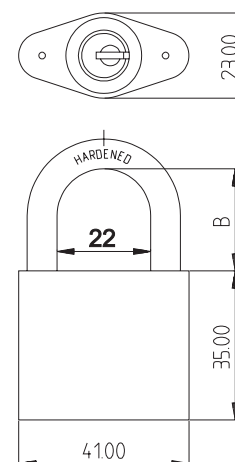
penta (K84)

quattro plus (K85)

gemini plus (K87)

#### - Dealer systems

expert cross (K89)





# Padlocks

## K.VHS\_2001 | Padlock, 7 mm Shackle Diameter

expert plus (K83)  
expert (K56)  
eco (K82)  
matrix plus (K86, Twincode)  
matrix (K59)  
**- Legacy systems**  
penta (K57)  
quattro plus (K58)  
quattro S (K52)  
quattro 1.1 (K51)  
quattro 1.0 (K50S)  
gemini plus (K81)  
gemini T (K54)  
gemini S (K53)  
gemini (K50)  
expert (S) (K56)  
No system (K00)

### **System type**

Without insert (no\_INS)

### **Surface cylinder**

Nickel-plated (NI)  
Nickel-plated chemically (NIC)

### **Surface insert side A**

Nickel-plated (INS-NI)  
Brass, dull (INS-MS)  
Nickel-plated chemically (INS-NIC)

### **Construction time function**

Construction time function - double life (BAZ)  
Construction time function - triple life (BAZ3)

### **Dust cover**

Insert dust protection cap 2004 side A (2004-A)

### **Tumbler pins**

Pins rust-free (ZH\_RF)

### **Special exec. housing**

7 mm drilling for chain (AK112)

# Padlocks

## K.VHS\_2001H | Padlock with Woven Steel Cable

### Application

Suitable for universal use indoors and outdoors. The key can only be retracted when the shackle is in the locked position. The steel cable can be ordered in six different lengths.

### Specification

- Housing supplied in solid natural brass with nickel plating
- Steel wire cable instead of shackle with a clear PVC cover
- Cable length 450 mm
- Key extraction in the locked position only
- Reversible key made from nickel silver

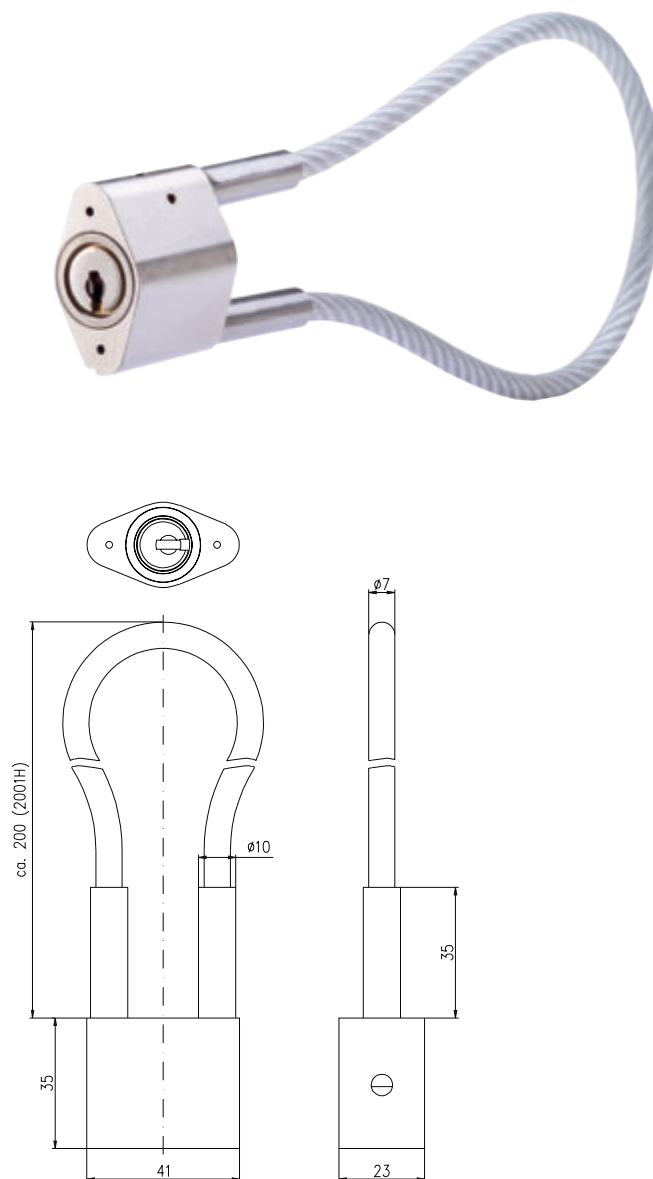
### Included with the cylinder

- Two reversible keys (see 'Special functions and keys' for key options)
- Security card for ownership registration and ordering duplicate keys
- Installation and maintenance instructions

### Order example

expert plus (K83)/VHS/2001H/NI/... cylinder options

### Cylinder options as follows:



# Padlocks

## K.VHS\_2001H | Padlock with Woven Steel Cable

### Technical system

#### - Factory systems

penta cross (K90)  
 penta (K84)  
 quattro plus (K85)  
 gemini plus (K87)

#### - Dealer systems

expert cross (K89)  
 expert plus (K83)  
 expert (K56)  
 eco (K82)  
 matrix plus (K86, Twincode)  
 matrix (K59)

#### - Legacy systems

penta (K57)  
 quattro plus (K58)  
 quattro S (K52)  
 quattro 1.1 (K51)  
 quattro 1.0 (K50S)  
 gemini plus (K81)  
 gemini T (K54)  
 gemini S (K53)  
 gemini (K50)  
 expert (S) (K56)  
 No system (K00)

### System type

Without insert (no\_INS)

### Surface cylinder

Nickel-plated (NI)  
 Nickel-plated chemically (NIC)

### Surface insert side A

Nickel-plated (INS-NI)  
 Brass, dull (INS-MS)  
 Nickel-plated chemically (INS-NIC)

### Length of rope

Cable length 250 mm  
 Cable length 750 mm  
 Cable length 1 m  
 Cable length 2 m  
 Cable length 5 m  
 Cable length 10 m

### Construction time function

Construction time function - double life (BAZ)  
 Construction time function - triple life (BAZ3)

### Dust cover

Insert dust protection cap 2004 side A (2004-A)

### Tumbler pins

Pins rust-free (ZH\_RF)

### Special exec. housing

7 mm drilling for chain (AK112)

# Padlocks

## K.VHS\_2010 | Padlock, 9 mm Shackle Diameter

### Application

Suitable for universal use indoors and outdoors, key retraction only when the shackle is closed

### Specification

- Housing supplied in solid natural brass with nickel plating
- Shackle made of hardened steel, chrome-plated or stainless steel
- Reversible key made from nickel silver

### Included with the cylinder

- Two reversible keys (see 'Special functions and keys' for key options)
- Security card for ownership registration and ordering duplicate keys
- Installation and maintenance instructions

### Shackle width

34 mm

### Order example

expert plus (K83)/VHS/2010/NI/... cylinder options

### Cylinder options as follows:

Type cylinder	Clear shackle height	Shackle type
2010	30 mm	Stainless steel, chrome-plated
2010B	50 mm	Stainless steel, chrome-plated
2010C	30 mm	Stainless steel (RF)
2010D	50 mm	Stainless steel (RF)
2010F	70 mm	Stainless steel (RF)
2010G	100 mm	Stainless steel (RF)

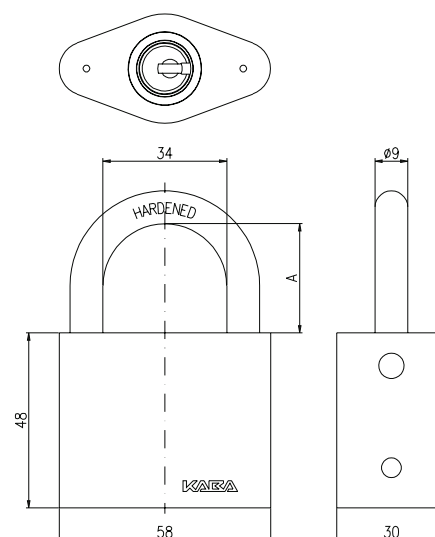
### Technical system

#### - Factory systems

penta cross (K90)  
 penta (K84)  
 quattro plus (K85)  
 gemini plus (K87)

#### - Dealer systems

expert cross (K89)  
 expert plus (K83)  
 expert (K56)  
 eco (K82)  
 matrix plus (K86, Twincode)



# Padlocks

## K.VHS\_2010 | Padlock, 9 mm Shackle Diameter

matrix (K59)

**- Legacy systems**

penta (K57)

quattro plus (K58)

quattro S (K52)

quattro 1.1 (K51)

quattro 1.0 (K50S)

gemini plus (K81)

gemini T (K54)

gemini S (K53)

gemini (K50)

expert (S) (K56)

No system (K00)

**System type**

Without insert (no\_INS)

**Surface cylinder**

Nickel-plated (NI)

Nickel-plated chemically (NIC)

**Surface insert side A**

Nickel-plated (INS-NI)

Brass, dull (INS-MS)

Nickel-plated chemically (INS-NIC)

**Construction time function**

Construction time function - double life (BAZ)

Construction time function - triple life (BAZ3)

**Dust cover**

Insert dust protection cap 2004 side A (2004-A)

**Tumbler pins**

Pins rust-free (ZH\_RF)

**Special exec. housing**

4 mm drilling for chain (AK078)

7 mm drilling for chain (AK878)

# Padlocks

## K.VHS\_2008 | Padlock, Heavy Duty

### Application

Suitable for universal use indoors and outdoors. A key is required to open and lock the shackle.

### Specification

- Housing made of cast stainless steel
- Shackle made of hardened steel, chrome-plated, diameter 12 mm
- Reversible key made from nickel silver

### Included with the cylinder

- Two reversible keys (see 'Special functions and keys' for key options)
- Security card for ownership registration and ordering duplicate keys
- Installation and maintenance instructions

### Order example

expert plus (K83)/VHS/2008/... cylinder options

### Cylinder options as follows:

Clear shackle height	Type cylinder
20 mm	2008
30 mm	2008B

### Technical system

#### - Factory systems

penta cross (K90)  
 penta (K84)  
 quattro plus (K85)  
 gemini plus (K87)

#### - Dealer systems

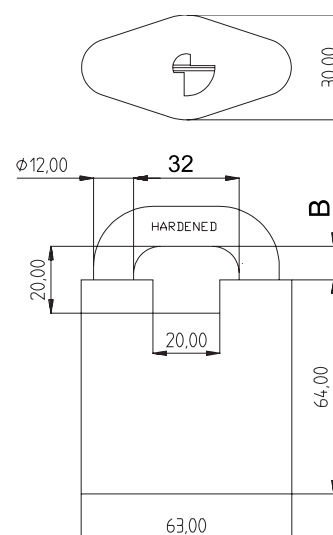
expert cross (K89)  
 expert plus (K83)  
 expert (K56)  
 eco (K82)  
 matrix plus (K86, Twincode)  
 matrix (K59)

#### - Legacy systems

penta (K57)  
 quattro plus (K58)  
 quattro S (K52)  
 quattro 1.1 (K51)  
 quattro 1.0 (K50S)  
 gemini plus (K81)  
 gemini T (K54)  
 gemini S (K53)



Type 2008



# Padlocks

## K.VHS\_2008 | Padlock, Heavy Duty

gemini (K50)  
expert (S) (K56)  
No system (K00)

### **System type**

Without insert (no\_INS)

### **Surface cylinder**

Nickel-plated (NI)  
Nickel-plated chemically (NIC)

### **Surface insert side A**

Brass, Dull nickel-plated brass (MS) – standard, unless ordered otherwise  
Nickel-plated chemically (INS-NIC)

### **Shackle type**

Shackle hardened steel (HS)

### **Construction time function**

Construction time function - double life (BAZ)  
Construction time function - triple life (BAZ3)

### **Tumbler pins**

Pins rust-free (ZH\_RF)

# Furniture Cylinders

## K.MZ\_1008c | Furniture Cylinder 1008C

### Application

Universal cylinder for use in all types of furniture locks

### Specification

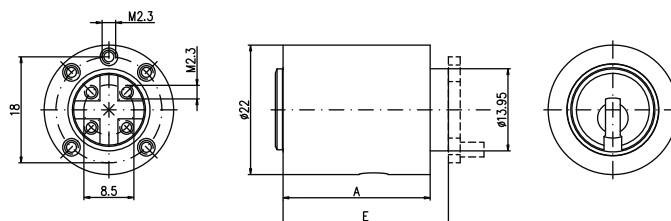
- Housing supplied in solid natural brass, nickel-plated
- Reversible key made from nickel silver
- Key removal position 1 x 360°

### Included with the cylinder

- Two ea. reversable keys, specify key type (details in chapter 'Keys with Systems and Clips')
- 1 cam type M1
- Security card for ownership registration and ordering duplicate keys
- Installation and maintenance instructions

### Order example

quattro plus (K58)/MZ/1008C/NI/... cylinder options



### Cylinder options as follows:

#### Technical system

##### - Factory systems

penta cross (K90)  
 penta (K84)  
 quattro plus (K85)  
 gemini plus (K87)

##### - Dealer systems

expert cross (K89)  
 expert plus (K83)  
 expert (K56)  
 eco (K82)  
 matrix plus (K86, Twincode)  
 matrix (K59)

##### - Legacy systems

penta (K57)  
 quattro plus (K58)  
 quattro S (K52)  
 quattro 1.1 (K51)  
 quattro 1.0 (K50S)  
 gemini plus (K81)  
 gemini T (K54)  
 gemini S (K53)  
 gemini (K50)  
 expert (S) (K56)

#### System type

Pre-assembled undrilled (VOUG)



# Furniture Cylinders

K.MZ\_1008c | Furniture Cylinder 1008C

## Length of furniture cylinders (mm)

24,0  
25,0  
30,0  
35,0  
45,0  
50,0  
55,0  
60,0  
65,0  
70,0  
75,0  
85,0  
95,0

## Cylinder fastening screw

With fixing screw M2.3 × 5.4

## Surface cylinder

Nickel-plated (NI)  
Brass, dull (MS)  
Nickel-plated chemically (NIC)  
Chrome-plated (CR)  
Chrome, polished (CRP)  
Brass, polished (MP)  
Bronzed medium (BM)  
Bronzed (BD)  
Antique (ALTB)

## Surface insert side A

The insert surface corresponds to the cylinder surface as standard.

Brass, dull (INS-MS)

## Cam

Types and description see in the following

## Key removal

2 × 180° (2x180)

## Drilling and pulling protection side A

Anti-drill protec. insert

## Construction time function

Construction time function - double life (BAZ)  
Construction time function - triple life (BAZ3)

## Dust cover

Insert dust protection cap 2004 side A (2004-A)  
2004 prepared side A

## Tumbler pins

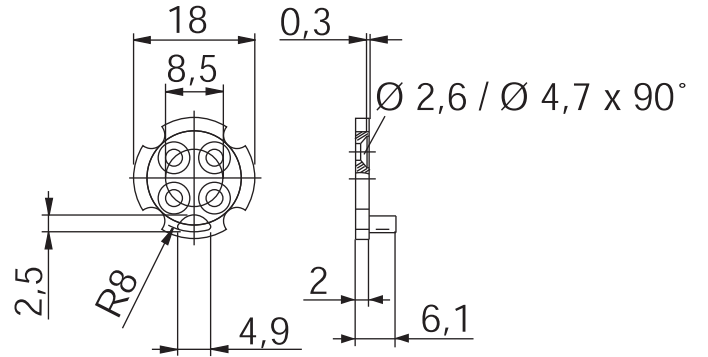
Pins rust-free (ZH\_RF)

# K.MZ\_1008C | Cams

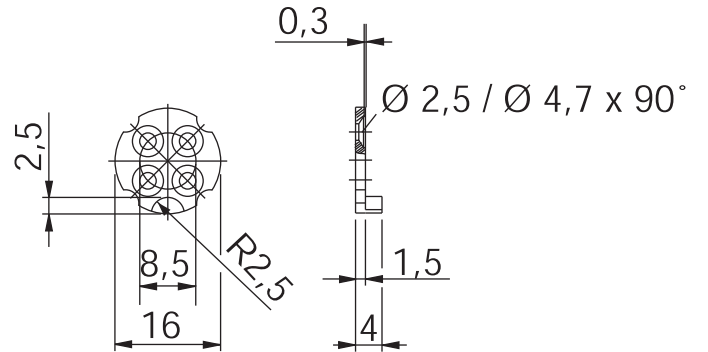
Description / Order code

Dim. drawing

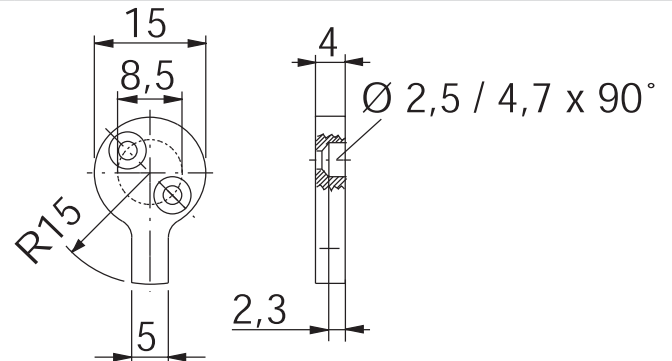
M1



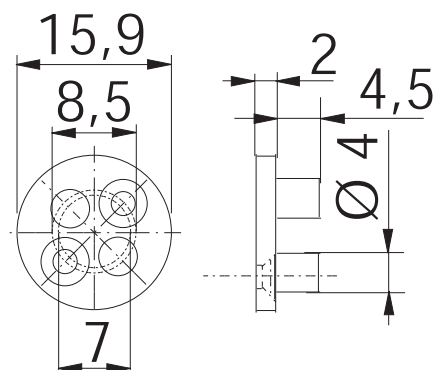
M2



M11



M11

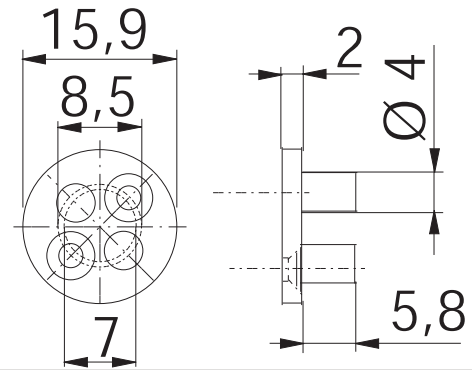


# K.MZ\_1008C | Cams

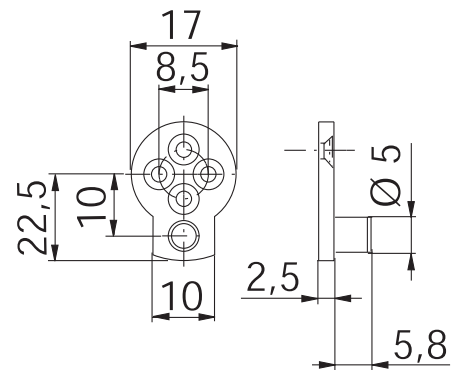
Description / Order code

Dim. drawing

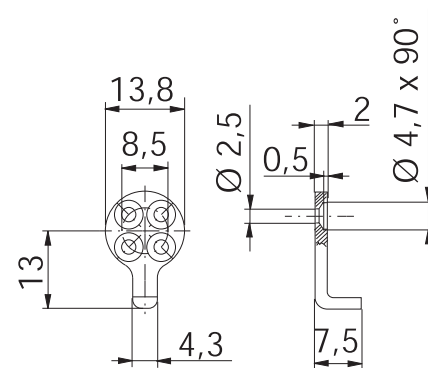
M11B



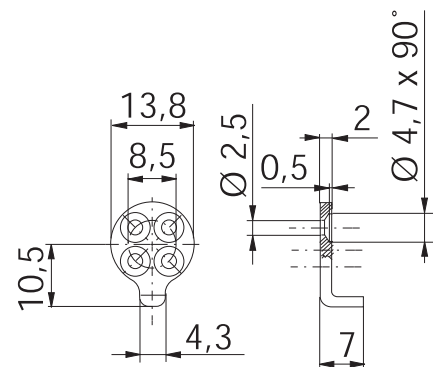
M43L



M44



M45

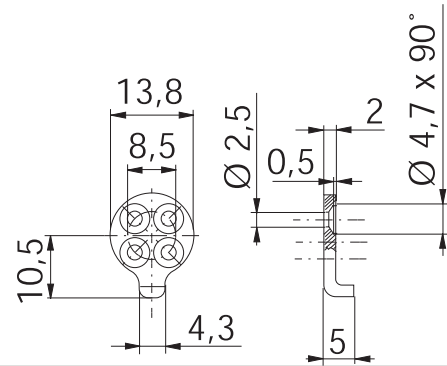


# K.MZ\_1008C | Cams

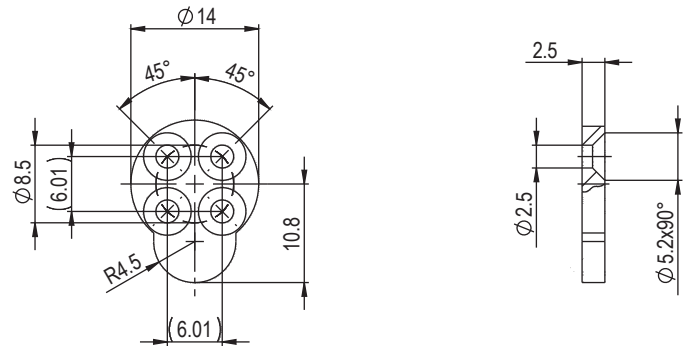
Description / Order code

Dim. drawing

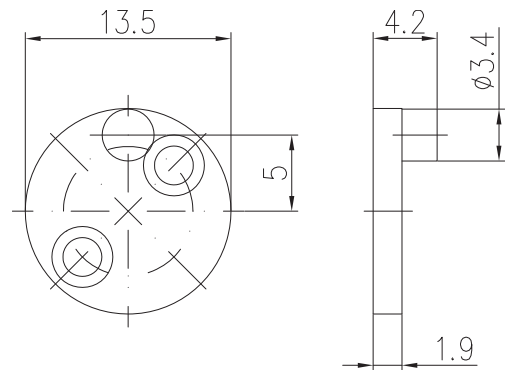
M46



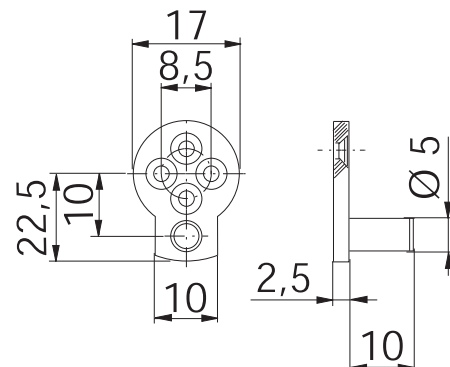
M48G



M71



M74





# Furniture Cylinders

## K.MZ\_1032 | Furniture Cylinder

### Application

Lock cylinders for furniture doors and drawers  
The key cannot be removed from the cylinder when open.

### Specification

- Housing supplied in solid natural brass, nickel-plated
- Reversible key made from nickel silver
- Key removal position 1 × 360°

### Included with the cylinder

- Two ea. reversible keys, specify key type (details in chapter 'Keys with Systems and Clips')
- One cam type M5
- One fixing plate type BS13-A
- Security card for ownership registration and ordering duplicate keys
- Installation and maintenance instructions

### Order example

quattro plus (K85)/MZ/1032/NI/25/... cylinder options

### Cylinder options as follows:

#### Technical system

##### - Factory systems

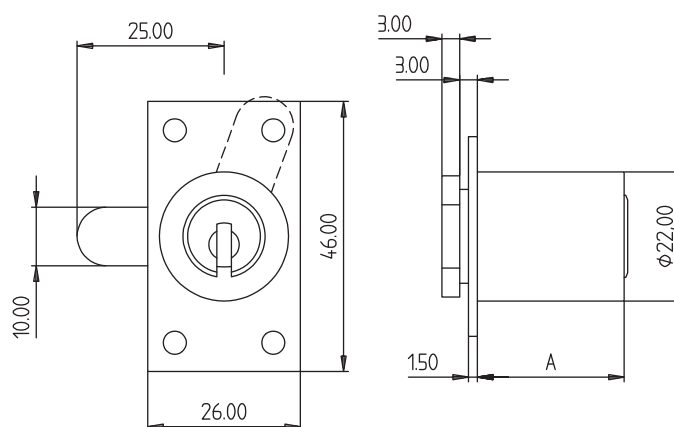
penta cross (K90)  
penta (K84)  
quattro plus (K85)  
gemini plus (K87)

##### - Dealer systems

expert cross (K89)  
expert plus (K83)  
expert (K56)  
eco (K82)  
matrix plus (K86, Twincode)  
matrix (K59)

##### - Legacy systems

penta (K57)  
quattro plus (K58)  
quattro S (K52)  
quattro 1.1 (K51)  
quattro 1.0 (K50S)  
gemini plus (K81)  
gemini T (K54)  
gemini S (K53)  
gemini (K50)  
expert (S) (K56)  
No system (K00)



# Furniture Cylinders

## K.MZ\_1032 | Furniture Cylinder

### Locking direction

R = right, standard

Left (L)

S = drawer upward

SU = drawer downward

### Length of furniture cylinders (mm)

25,0

30,0

35,0

40,0

45,0

50,0

55,0

60,0

65,0

70,0

75,0

85,0

95,0

Lengths 85 mm and 95 mm are only available with surface finish nickel plated (NI)

### Surface cylinder

Nickel-plated (NI)

Brass, dull (MS)

Nickel-plated chemically (NIC)

Chrome-plated (CR)

Chrome, polished (CRP)

Brass, polished (MP)

Bronzed medium (BM)

Bronzed (BD)

Antique (ALTB)

### Surface insert side A

The insert surface corresponds to the cylinder surface as standard.

Brass, dull (INS-MS)

### Construction time function

Construction time function - double life (BAZ)

Construction time function - triple life (BAZ3)

### Dust cover

Insert dust protection cap 2004 side A (2004-A)

2004 prepared side A

### Tumbler pins

Pins rust-free (ZH\_RF)

# Furniture Cylinders

## K.MZ\_1033 | Furniture Cylinder

### Application

Lock cylinders for furniture doors and drawers  
The key cannot be removed from the cylinder when open.

### Specification

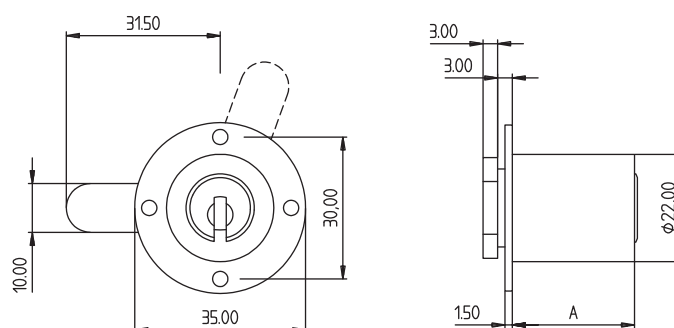
- Housing supplied in solid natural brass, nickel-plated
- Reversible key made from nickel silver
- Key removal position 1 × 360°

### Included with the cylinder

- Two ea. reversible keys, specify key type (details in chapter 'Keys with Systems and Clips')
- One cam type M6
- One fixing plate type BS5-A
- Security card for ownership registration and ordering duplicate keys
- Installation and maintenance instructions

### Order example

quattro plus (K85)/MZ/1033/NI/25/... cylinder options



### Cylinder options as follows:

#### Technical system

##### - Factory systems

penta cross (K90)  
penta (K84)  
quattro plus (K85)  
gemini plus (K87)

##### - Dealer systems

expert cross (K89)  
expert plus (K83)  
expert (K56)  
eco (K82)  
matrix plus (K86, Twincode)  
matrix (K59)

##### - Legacy systems

penta (K57)  
quattro plus (K58)  
quattro S (K52)  
quattro 1.1 (K51)  
quattro 1.0 (K50S)  
gemini plus (K81)  
gemini T (K54)  
gemini S (K53)  
gemini (K50)  
expert (S) (K56)  
No system (K00)



# Furniture Cylinders

## K.MZ\_1033 | Furniture Cylinder

### System type

Without insert (no\_INS)

### Tumbler pins

Pins rust-free (ZH\_RF)

### Locking direction

R = right, standard

Left (L)

S = drawer upward

SU = drawer downward

### Length of furniture cylinders (mm)

25,0

30,0

35,0

40,0

45,0

50,0

55,0

60,0

65,0

70,0

75,0

85,0

95,0

Lengths 85 mm and 95 mm are only available with surface finish nickel plated (NI)

### Surface cylinder

Nickel-plated (NI)

Brass, dull (MS)

Nickel-plated chemically (NIC)

Chrome-plated (CR)

Chrome, polished (CRP)

Brass, polished (MP)

Bronzed medium (BM)

Bronzed (BD)

Antique (ALTB)

### Surface insert side A

The insert surface corresponds to the cylinder surface as standard.

Brass, dull (INS-MS)

### Construction time function

Construction time function - double life (BAZ)

Construction time function - triple life (BAZ3)

### Dust cover

Insert dust protection cap 2004 side A (2004-A)

2004 prepared side A

# Furniture Cylinders

## K.MZ\_1057 | Furniture Cylinder for Espagnolette Locks

### Application

For espagnolette locks with 7 mm square follower

### Specification

- Housing supplied in solid natural brass, nickel-plated
- Reversible key made from nickel silver
- Key removal position 1 × 360°

### Included with the cylinder

- Two reversible keys (see 'Special functions and keys' for key options)
- One machine screw M5 × 14
- Security card for ownership registration and ordering duplicate keys
- Installation and maintenance instructions
- Note: When used with lock cases 3016 and 3017, fastening plate 3813 must be ordered separately.

### Order example

quattro plus (K85)/MZ/1057/NI/25/... cylinder options

### Cylinder options as follows:

#### Technical system

##### - Factory systems

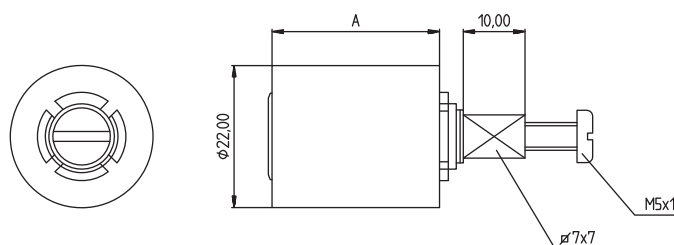
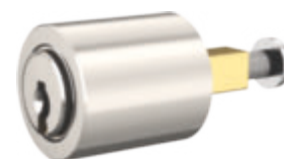
penta cross (K90)  
penta (K84)  
quattro plus (K85)  
gemini plus (K87)

##### - Dealer systems

expert cross (K89)  
expert plus (K83)  
expert (K56)  
eco (K82)  
matrix plus (K86, Twincode)  
matrix (K59)

##### - Legacy systems

penta (K57)  
quattro plus (K58)  
quattro S (K52)  
quattro 1.1 (K51)  
quattro 1.0 (K50S)  
gemini plus (K81)  
gemini T (K54)  
gemini S (K53)  
gemini (K50)  
expert (S) (K56)  
No system (K00)



# Furniture Cylinders

## K.MZ\_1057 | Furniture Cylinder for Espagnolette Locks

### System type

Cylinder assembled

Pre-assembled undrilled (VOUG)

### Length of furniture cylinders (mm)

25,0

30,0

45,0

### Surface cylinder

Nickel-plated (NI)

Brass, dull (MS)

Nickel-plated chemically (NIC)

Bronzed medium (BM)

Bronzed (BD)

### Surface insert side A

The insert surface corresponds to the cylinder surface as standard.

Brass, dull (INS-MS)

### Key removal

2 × 180° (2x180)

### Construction time function

Construction time function - double life (BAZ)

Construction time function - triple life (BAZ3)

### Dust cover

Insert dust protection cap 2004 side A (2004-A)

2004 prepared side A

### Tumbler pins

Pins rust-free (ZH\_RF)

### Cyl. marking extra

Cylinder special marking AK919 (AK919)

# Furniture Cylinders

## K.MZ\_1180 | Furniture Cylinder 1180

### Application

Cylinder is prepared for mechanical overrides in turnstiles.

### Specification

- Housing supplied in solid natural brass, nickel-plated
- Reversible key made from nickel silver
- Key removal position 1 × 360°

### Included with the cylinder

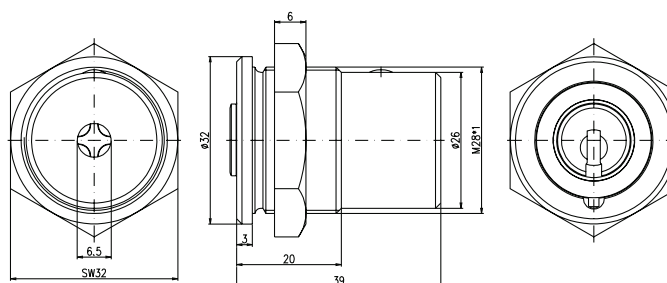
- Two ea. reversable keys, specify key type (details in chapter 'Keys with Systems and Clips')
- One cam type M48G
- One hex nut M28×1 / WAF 32 mm
- Security card for ownership registration and ordering duplicate keys
- Installation and maintenance instructions

### Installed length

39 mm

### Order example

quattro plus (K85)/MZ/1180/Nl/... cylinder options



### Cylinder options as follows:

#### Technical system

##### - Factory systems

penta cross (K90)  
 penta (K84)  
 quattro plus (K85)  
 gemini plus (K87)

##### - Dealer systems

expert cross (K89)  
 expert plus (K83)  
 expert (K56)  
 eco (K82)  
 matrix plus (K86, Twincode)  
 matrix (K59)

##### - Legacy systems

penta (K57)  
 quattro plus (K58)  
 quattro S (K52)  
 quattro 1.1 (K51)  
 quattro 1.0 (K50S)  
 gemini plus (K81)  
 gemini T (K54)  
 gemini S (K53)  
 gemini (K50)  
 expert (S) (K56)

# Furniture Cylinders

K.MZ\_1180 | Furniture Cylinder 1180

**Surface cylinder**

Nickel-plated (NI)

**Surface insert side A**

The insert surface corresponds to the cylinder surface as standard.

Brass, dull (INS-MS)

**Construction time function**

Construction time function - double life (BAZ)

Construction time function - triple life (BAZ3)

**Dust cover**

Insert dust protection cap 2004 side A (2004-A)

2004 prepared side A

**Tumbler pins**

Pins rust-free (ZH\_RF)

# Furniture Cylinders

## K.MZ\_80-3-070 | Furniture Cylinder with Hooked Cam

### Application

Furniture cylinder for sliding and rolling doors  
Key retraction when locked and opened, key turn 360°,  
cam movement 90°

### Specification

- Housing supplied in solid natural brass, nickel-plated
- Reversible key made from nickel silver
- Closing direction right
- Key removal position 1 × 360°

### Included with the cylinder

- Two ea. reversible keys, specify key type (details in chapter 'Keys with Systems and Clips')
- One cam 80-3-070
- Security card for ownership registration and ordering duplicate keys
- Installation and maintenance instructions

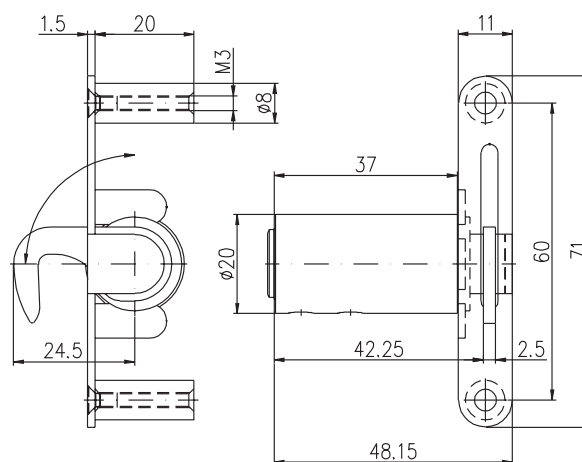
### Installed length

37 mm

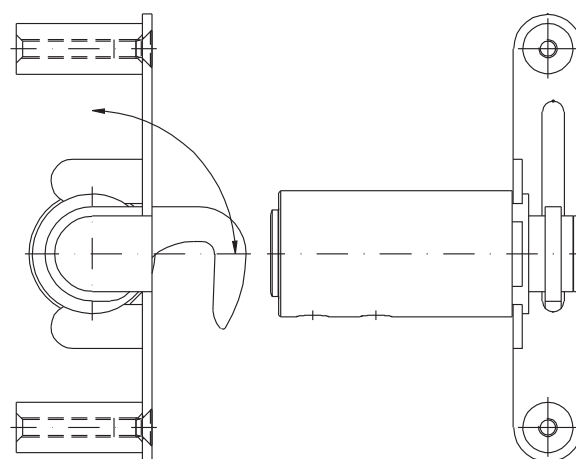
### Order example

expert plus (K83)/MZ/80-3-070/NI/... cylinder options

### Cylinder options as follows:



Right



Left

# Furniture Cylinders

K.MZ\_80-3-070 | Furniture Cylinder with Hooked Cam

## Technical system

### - Factory systems

penta cross (K90)  
 penta (K84)  
 quattro plus (K85)  
 gemini plus (K87)

### - Dealer systems

expert cross (K89)  
 expert plus (K83)  
 expert (K56)  
 eco (K82)  
 matrix plus (K86, Twincode)  
 matrix (K59)

### - Legacy systems

penta (K57)  
 quattro plus (K58)  
 quattro S (K52)  
 quattro 1.1 (K51)  
 quattro 1.0 (K50S)  
 gemini plus (K81)  
 gemini T (K54)  
 gemini S (K53)  
 gemini (K50)  
 expert (S) (K56)

## Locking direction

R = right, standard  
 Left (L)

## Surface cylinder

Nickel-plated (NI)

## Surface insert side A

The insert surface corresponds to the cylinder surface as standard.

Brass, dull (INS-MS)

## Construction time function

Construction time function - double life (BAZ)  
 Construction time function - triple life (BAZ3)

## Dust cover

Insert dust protection cap 2004 side A (2004-A)  
 2004 prepared side A

## Tumbler pins

Pins rust-free (ZH\_RF)

## Accessories cylinder

Without holding panel

# Furniture Cylinders

## K.MZ\_97-4-044 | Furniture Cylinder for Espagnolette- and Deadlocks

### Application

For ASS furniture stop locks, types 1781, 1881 and 1882 (see chapter 'Furniture locks')

For ASS espagnolette locks, types 7581 and 7781 (see chapter 'Furniture locks')

### Specification

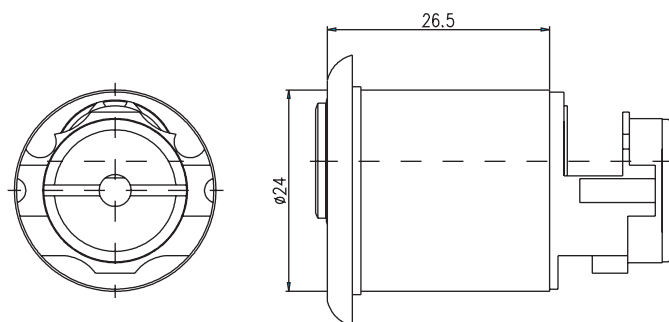
- Housing made from solid natural brass, surface nickel-plated
- Reversible key made from nickel silver

### Included with the cylinder

- Two ea. reversible keys, specify key type (details in chapter 'Keys with Systems and Clips')
- Rosette MN 1081/24
- Security card for ownership registration and ordering duplicate keys
- Installation and maintenance instructions

### Order example

expert plus (K83)/MZ/97-4-044/NI/26,5/... cylinder options



### Cylinder options as follows:

#### Technical system

##### - Factory systems

penta cross (K90)

penta (K84)

quattro plus (K85)

gemini plus (K87)

##### - Dealer systems

expert cross (K89)

expert plus (K83)

expert (K56)

eco (K82)

matrix plus (K86, Twincode)

matrix (K59)

##### - Legacy systems

penta (K57)

quattro plus (K58)

quattro S (K52)

quattro 1.1 (K51)

quattro 1.0 (K50S)

gemini plus (K81)

gemini T (K54)

gemini S (K53)

gemini (K50)

expert (S) (K56)



# Furniture Cylinders

K.MZ\_97-4-044 | Furniture Cylinder for Espagnolette- and Deadlocks

## Length of furniture cylinders (mm)

26,5

31,5

36,5

41,5

46,5

## Surface cylinder

Nickel-plated (NI)

Brass, dull (MS)

Chrome, polished (CRP)

Brass, polished (MP)

Bronzed (BD)

## Surface insert side A

The insert surface corresponds to the cylinder surface as standard.

Brass, dull (INS-MS)

Brass, untreated (INS-MSR)

## Construction time function

Construction time function - double life (BAZ)

Construction time function - triple life (BAZ3)

## Dust cover

Insert dust protection cap 2004 side A (2004-A)

2004 prepared side A

## Tumbler pins

Pins rust-free (ZH\_RF)

# Furniture Cylinders

## K.MZ\_97-4-045 | Furniture Cylinder for Deadlock

### Application

For furniture deadlock, type 1350 (see chapter 'Furniture locks')

### Specification

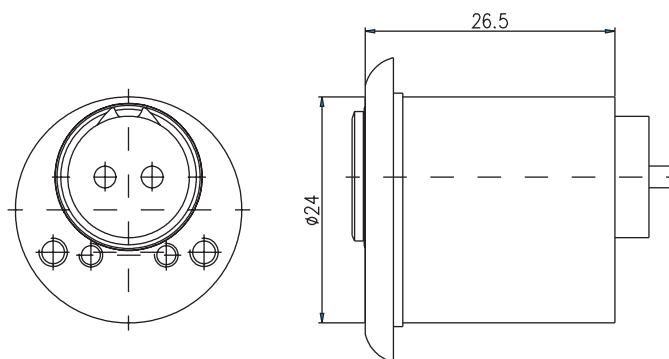
- Housing made from solid natural brass, surface nickel-plated
- Reversible key made from nickel silver

### Included with the cylinder

- Two ea. reversible keys, specify key type (details in chapter 'Keys with Systems and Clips')
- Rosette MN 1081/24
- Security card for ownership registration and ordering duplicate keys
- Installation and maintenance instructions

### Order example

expert plus (K83)/MZ/97-4-045/NI/26,5/... cylinder options



### Cylinder options as follows:

#### Technical system

##### - Factory systems

penta cross (K90)  
 penta (K84)  
 quattro plus (K85)  
 gemini plus (K87)

##### - Dealer systems

expert cross (K89)  
 expert plus (K83)  
 expert (K56)  
 eco (K82)  
 matrix plus (K86, Twincode)  
 matrix (K59)

##### - Legacy systems

penta (K57)  
 quattro plus (K58)  
 quattro S (K52)  
 quattro 1.1 (K51)  
 quattro 1.0 (K50S)  
 gemini plus (K81)  
 gemini T (K54)  
 gemini S (K53)  
 gemini (K50)  
 expert (S) (K56)

# Furniture Cylinders

K.MZ\_97-4-045 | Furniture Cylinder for Deadlock

## Length of furniture cylinders (mm)

26,5  
31,5  
36,5  
41,5  
46,5  
51,5

## Surface cylinder

Nickel-plated (NI)  
Brass, dull (MS)

## Surface insert side A

The insert surface corresponds to the cylinder surface as standard.

Brass, dull (INS-MS)  
Brass, untreated (INS-MSR)

## Construction time function

Construction time function - double life (BAZ)  
Construction time function - triple life (BAZ3)

## Dust cover

Insert dust protection cap 2004 side A (2004-A)  
2004 prepared side A

## Tumbler pins

Pins rust-free (ZH\_RF)

# Furniture Cylinders

## K.MZ\_97-4-046 | Furniture Cylinder for Olive Handles

### Application

For ASS handle olives, type 3561 (see chapter 'Furniture locks')

### Specification

- Housing made from solid natural brass, surface nickel-plated
- Reversible key made from nickel silver

### Included with the cylinder

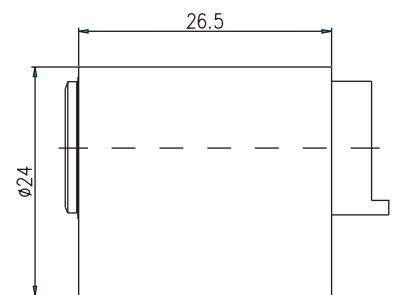
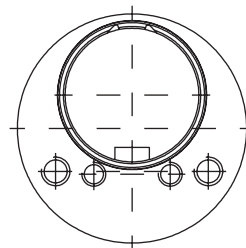
- Two ea. reversible keys, specify key type (details in chapter 'Keys with Systems and Clips')
- Security card for ownership registration and ordering duplicate keys
- Installation and maintenance instructions

### Installed length

Standard – 26.5 mm

### Order example

expert plus (K83)/MZ/97-4-046/NI/26,5/... cylinder options



### Cylinder options as follows:

#### Technical system

##### - Factory systems

penta cross (K90)  
penta (K84)  
quattro plus (K85)  
gemini plus (K87)

##### - Dealer systems

expert cross (K89)  
expert plus (K83)  
expert (K56)  
eco (K82)  
matrix plus (K86, Twincode)  
matrix (K59)

##### - Legacy systems

penta (K57)  
quattro plus (K58)  
quattro S (K52)  
quattro 1.1 (K51)  
quattro 1.0 (K50S)  
gemini plus (K81)  
gemini T (K54)  
gemini S (K53)  
gemini (K50)  
expert (S) (K56)

# Furniture Cylinders

K.MZ\_97-4-046 | Furniture Cylinder for Olive Handles

## Surface cylinder

Nickel-plated (NI)  
Brass, dull (MS)  
Chrome, polished (CRP)  
Brass, polished (MP)

## Surface insert side A

The insert surface corresponds to the cylinder surface as standard.  
Brass, dull (INS-MS)  
Brass, untreated (INS-MSR)

## Construction time function

Construction time function - double life (BAZ)  
Construction time function - triple life (BAZ3)

## Dust cover

Insert dust protection cap 2004 side A (2004-A)  
2004 prepared side A

## Tumbler pins

Pins rust-free (ZH\_RF)

# Furniture Cylinders

## K.MZ\_1129/1136 | Furniture Cylinder with Hooked Cam

### Application

Lock cylinders for furniture doors and drawers  
Cam movement 90°, key retraction 360°

### Specification

- Housing supplied in solid natural brass, nickel-plated
- Reversible key made from nickel silver
- Locking way A
- Type 1129 – standard cam 1129-16, mountings plate BS-39
- Type 1136 – standard cam 1129-15, mounting plate BS plate, horizontal installation

### Included with the cylinder

- Two ea. reversible keys, specify key type (details in chapter 'Keys with Systems and Clips')
- Security card for ownership registration and ordering duplicate keys
- Installation and maintenance instructions

### Order example

penta (K84)/MZ\_1129\_1136/1129/NI/A/25/... cylinder options

### Cylinder options as follows:

#### Technical system

##### - Factory systems

penta (K84)  
quattro plus (K85)  
gemini plus (K87)

##### - Dealer systems

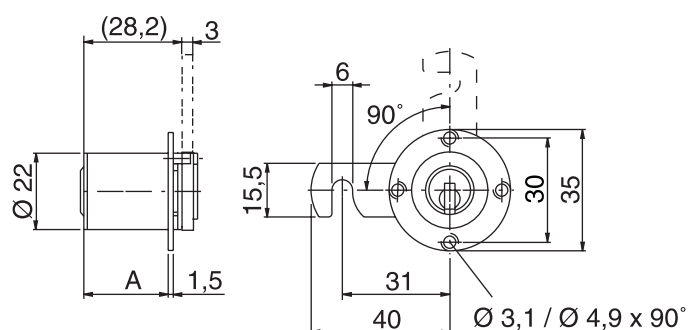
expert plus (K83)  
expert (K56)  
eco (K82)  
matrix plus (K86, Twincode)  
matrix (K59)

##### - Legacy systems

penta (K57)  
quattro plus (K58)  
quattro S (K52)  
quattro 1.1 (K51)  
quattro 1.0 (K50S)  
gemini plus (K81)  
gemini T (K54)  
gemini S (K53)  
gemini (K50)  
expert (S) (K56)



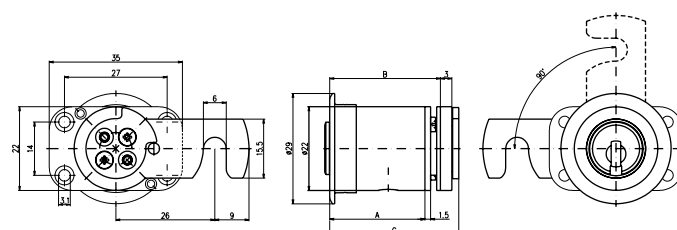
Type 1129



Type 1129



Type 1136



Type 1136

# Furniture Cylinders

## K.MZ\_1129/1136 | Furniture Cylinder with Hooked Cam

### Length of furniture cylinders (mm)

25,0  
 30,0  
 35,0  
 40,0  
 45,0  
 50,0  
 55,0  
 60,0  
 65,0 mm (Type 1129)  
 70,0 mm (Type 1129)  
 75,0 mm (Type 1129)

### Surface cylinder

Nickel-plated (NI)  
 Chrome-plated (CR)  
 Brass, dull (MS)  
 Brass, polished (MP)  
 Bronzed (BD)

### Surface insert side A

The insert surface corresponds to the cylinder surface as standard.  
 Brass, dull (INS-MS)

### Key movement

Key movement A  
 Key movement B  
 Key movement C  
 Key movement D  
 Key movement E  
 Key movement F  
 Key movement G  
 Key movement H

### Cams

Hook cam 1129-16, right, length 31 mm (1129-16)  
 Cam 1129-6, length 20 mm (1129-6)  
 Cam 1129-7, length 25 mm (1129-7)  
 Cam 1129-8, length 30 mm (1129-8)  
 Cam 1129-9, length 35 mm (1129-9)  
 Cam 1129-12, length 50 mm (1129-9)  
 Hook cam 1129-13, right, length 17 mm (1129-13)  
 Hook cam 1129-14, right, length 21 mm (1129-14)  
 Hook cam 1129-14A, right, length 23.5 mm (1129-14A)  
 Hook cam 1129-15, right, length 26 mm (1129-15)

Hook cam 1129-17, left, length 17 mm (1129-17)  
 Hook cam 1129-18, left, length 21 mm (1129-18)  
 Hook cam 1129-19, left, length 26 mm (1129-19)  
 Hook cam 1129-20, left, length 31 mm (1129-20)

### Fixing plate

Install fixing plate horiz.  
 Install fixing plate vertical

### Construction time function

Construction time function - double life (BAZ)  
 Construction time function - triple life (BAZ3)

### Dust cover

Insert dust protection cap 2004 side A (2004-A)

### Tumbler pins

Pins rust-free (ZH\_RF)

# Furniture Cylinders

## K.MZ\_1134\_Double Cylinder Camlock, PICARD

### Application

Double furniture cylinder for Picard locks

### Specification

- Housing made from solid natural brass, surface nickel-plated
- Reversible key made from nickel silver

### Included with the cylinder

- Two ea. reversable keys, specify key type (details in chapter 'Keys with Systems and Clips')
- Security card for ownership registration and ordering duplicate keys
- Installation and maintenance instructions

### Order example

expert plus (K83)/DZ\_1134/A\_B/NI = system expert plus K83/double cylinder 1134/28 mm outside – 38 mm inside/ nickel-plated

### Cylinder options as follows:

#### Technical system

##### - Factory systems

quattro plus (K85)

##### - Dealer systems

expert plus (K83)

expert (K56)

matrix plus (K86, Twincode)

matrix (K59)

##### - Legacy systems

quattro S (K52)

geminus T (K54)

No system (K00)

#### Type cylinder

1134A/A (DZ) 28 + 28

1134A/B (DZ) 28 + 38

1134A/C (DZ) 28 + 48

1134A/D (DZ) 28 + 58

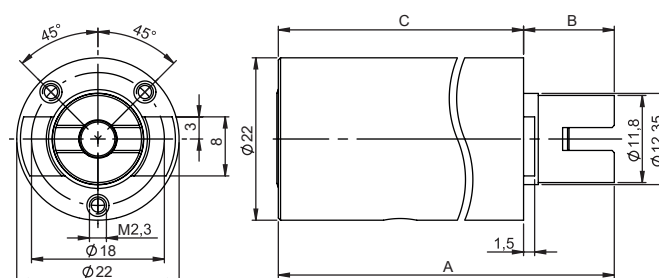
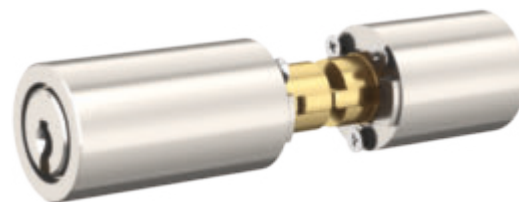
#### Surface cylinder

Nickel-plated (NI)

Brass, polished (MP)

#### Surface insert side A

The insert surface corresponds to the cylinder surface as standard.



Zylinder	Maß A	Maß B	Maß C	Doppelzylinder/Double Cylinder	
				Zylinder/Cylinder	Bestell/Order Code
1134A	36	7,65	28,15	1134A/A	28/28
1134A+	41	12,30	28,15	1134A+1134A+	1134A/A+ 28/28
1134B	51	12,30	38,50	1134A+1134B	1134A/B 28/38
1134C	61	12,30	48,50	1134A+1134C	1134A/C 28/48
1134D	71	12,30	58,50	1134A+1134D	1134A/D 28/58



# Furniture Cylinders

K.MZ\_1134\_Double Cylinder Camlock, PICARD

**Construction time function**

Construction time function - double life (BAZ)

Construction time function - triple life (BAZ3)

# Furniture Locks

## K.MAS\_1350 | Furniture Deadlock with Adjustable Backset

### Application

Can be used with left or right doors as well as on top and bottom locking drawers.

Surface-mounted bolt lock with adjustable backset (15–40 mm)

### Specification

- Cylinder 97-4-045 (see chapter 'Furniture cylinders')
- Lock case made from nickel-plated metal
- Reversible key made from nickel silver
- Cylinder length 26.5 mm unless specified otherwise (see 'Lengths')

### Included with the cylinder

- Two ea. reversible keys, specify key type (details in chapter 'Keys with Systems and Clips')

### Order example

expert plus (K83)/MAS/1350/NI/RE/15/26,5 = system expert plus K83/furniture lock/1350/nickel-plated/right/backset 15 mm/cylinder length 26.5 mm

### Cylinder options as follows:

#### Technical system

##### - Factory systems

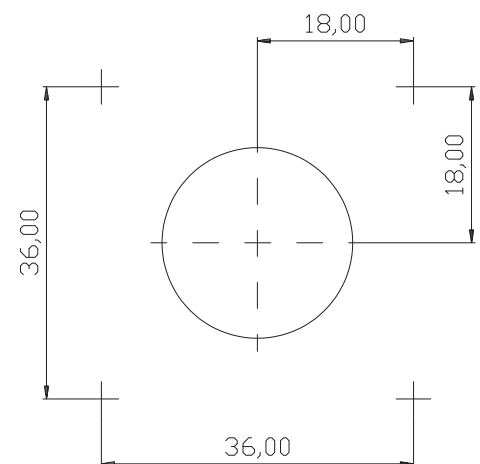
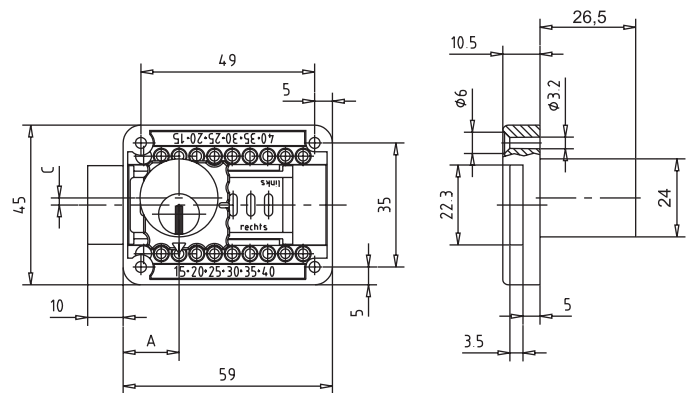
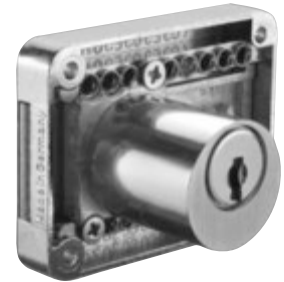
penta cross (K90)  
penta (K84)  
quattro plus (K85)  
gemini plus (K87)

##### - Dealer systems

expert cross (K89)  
expert plus (K83)  
expert (K56)  
eco (K82)  
matrix plus (K86, Twincode)  
matrix (K59)

##### - Legacy systems

penta (K57)  
quattro plus (K58)  
quattro S (K52)  
quattro 1.1 (K51)  
quattro 1.0 (K50S)  
gemini plus (K81)  
gemini T (K54)  
gemini S (K53)  
gemini (K50)  
expert (S) (K56)



# Furniture Locks

## K.MAS\_1350 | Furniture Deadlock with Adjustable Backset

### Locking direction

Without closing direction

R = right, standard

Left (L)

### Tumbler pins

Pins rust-free (ZH\_RF)

### Backset (mm)

15, standard

20

25

30

35

40

### Length of furniture cylinders (mm)

26,5

31,5

36,5

41,5

46,5

51,5

### Surface cylinder

Nickel-plated (NI)

Brass, dull (MS)

Nickel-plated chemically (NIC)

Chrome-plated (CR)

Chrome, satin (CRM)

Chrome, polished (CRP)

Brass, polished (MP)

Bronzed light (BH)

Bronzed medium (BM)

Bronzed (BD)

Antique (ALTB)

### Surface insert side A

The insert surface corresponds to the cylinder surface as standard.

Brass, dull (INS-MS)

Brass, untreated (INS-MSR)

### Cam extension

Without

### Construction time function

Construction time function - double life (BAZ)

Construction time function - triple life (BAZ3)

### Dust cover

Insert dust protection cap 2004 side A (2004-A)

# Furniture Locks

## K.MAS\_1074 | Furniture Deadlock

### Application

Can be used with left or right doors as well as on top and bottom locking drawers.

Suitable for drawers locking from the top or bottom

### Specification

- Cylinder 1008C (see chapter 'Furniture cylinders')
- Lock case made from nickel-plated metal
- Backset 25 mm
- Reversible key made from nickel silver
- Key can be retracted when lock is open.

### Included with the cylinder

- Two ea. reversible keys, specify key type (details in chapter 'Keys with Systems and Clips')
- 4 screws M4x30 mm, 2 screws M2.5x10 mm

### Order example

expert plus (K83)/MAS/1074/NI/RE/25/25 = system  
expert plus K83/surface-mounted furniture lock/1074/  
nickel-plated/right/cylinder length 25 mm/backset 25 mm

### Cylinder options as follows:

#### Technical system

##### - Factory systems

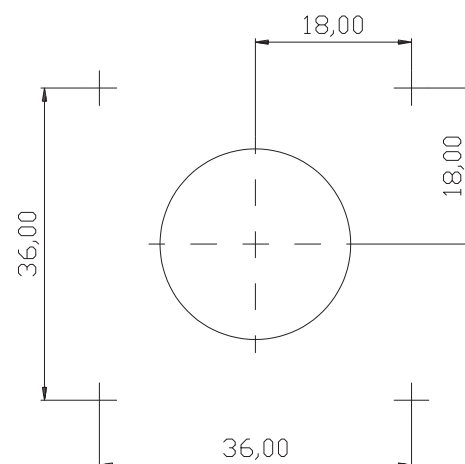
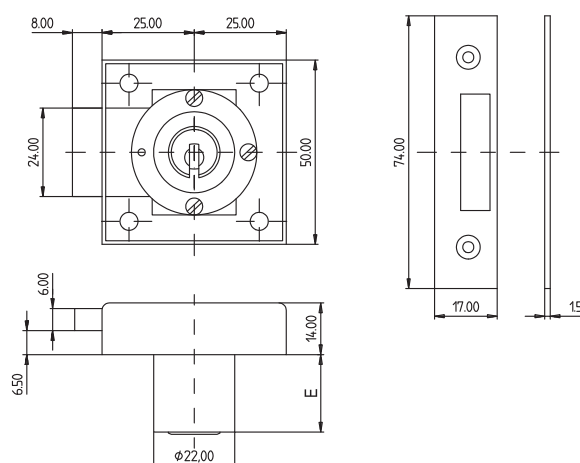
penta cross (K90)  
penta (K84)  
quattro plus (K85)  
gemini plus (K87)

##### - Dealer systems

expert cross (K89)  
expert plus (K83)  
expert (K56)  
eco (K82)  
matrix plus (K86, Twincode)  
matrix (K59)

##### - Legacy systems

penta (K57)  
quattro plus (K58)  
quattro S (K52)  
quattro 1.1 (K51)  
quattro 1.0 (K50S)  
gemini plus (K81)  
gemini T (K54)  
gemini S (K53)  
gemini (K50)  
expert (S) (K56)



# Furniture Locks

## K.MAS\_1074 | Furniture Deadlock

### Locking direction

R = right, standard

Left (L)

S = drawer upward

SU = drawer downward

### Length of furniture cylinders (mm)

25,0

30,0

35,0

40,0

45,0

50,0

55,0

60,0

65,0

70,0

75,0

### Surface cylinder

Nickel-plated (NI)

Brass, dull (MS)

Nickel-plated chemically (NIC)

Chrome-plated (CR)

Chrome, satin (CRM)

Chrome, polished (CRP)

Brass, polished (MP)

Bronzed light (BH)

Bronzed medium (BM)

Bronzed (BD)

Blackened (GSW)

Antique (ALTB)

### Surface insert side A

The insert surface corresponds to the cylinder surface as standard.

Brass, dull (INS-MS)

### Cam extension

Bolt 5 mm extended

Bolt 10 mm extended

### Construction time function

Construction time function - double life (BAZ)

Construction time function - triple life (BAZ3)

### Dust cover

Insert dust protection cap 2004 side A (2004-A)

### Tumbler pins

Pins rust-free (ZH\_RF)

### Cyl. marking extra

Cyl. w. special marking AK981

# Furniture Locks

## K.MAS\_1075 | Furniture Latch Lock

### Application

Can be used with left or right doors as well as on top and bottom locking drawers.

Suitable for drawers locking from the top or bottom

### Specification

- Cylinder 1008C (see chapter 'Furniture cylinders')
- Lock case made from nickel-plated metal
- Backset 25 mm
- Spring loaded latch cannot be locked
- Reversible key made from nickel silver

### Included with the cylinder

- Two ea. reversible keys, specify key type (details in chapter 'Keys with Systems and Clips')
- 4 screws M4x30 mm, 2 screws M2.5x10 mm

### Order example

expert plus (K83)/MAS/1075/NI/RE/25/25 = system  
 expert plus K83/surface-mounted furniture latch  
 lock/1075/nickel-plated/right/cylinder length 25 mm/  
 backset 25 mm

### Cylinder options as follows:

#### Technical system

##### - Factory systems

penta cross (K90)

penta (K84)

quattro plus (K85)

gemini plus (K87)

##### - Dealer systems

expert cross (K89)

expert plus (K83)

expert (K56)

eco (K82)

matrix plus (K86, Twincode)

matrix (K59)

##### - Legacy systems

penta (K57)

quattro plus (K58)

quattro S (K52)

quattro 1.1 (K51)

quattro 1.0 (K50S)

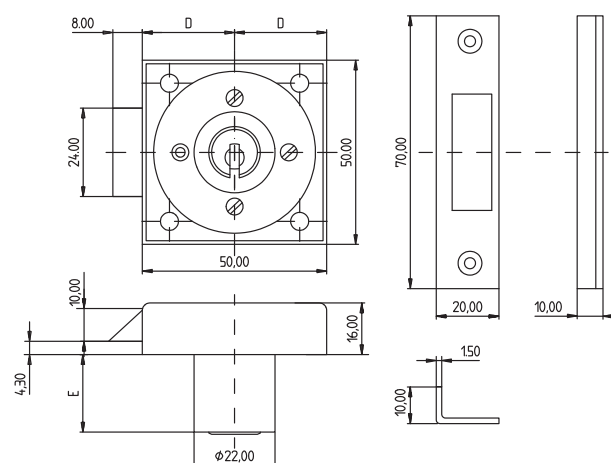
gemini plus (K81)

gemini T (K54)

gemini S (K53)

gemini (K50)

expert (S) (K56)



# Furniture Locks

## K.MAS\_1075 | Furniture Latch Lock

### Locking direction

R = right, standard

Left (L)

S = drawer upward

SU = drawer downward

### Cyl. marking extra

Cyl. w. special marking AK981

### Backset (mm)

25, standard

### Length of furniture cylinders (mm)

25,0

30,0

35,0

40,0

45,0

50,0

55,0

60,0

65,0

70,0

75,0

### Surface cylinder

Nickel-plated (NI)

Brass, dull (MS)

Nickel-plated chemically (NIC)

Chrome-plated (CR)

Chrome, satin (CRM)

Chrome, polished (CRP)

Brass, polished (MP)

Bronzed light (BH)

Bronzed medium (BM)

Bronzed (BD)

Blackened (GSW)

Antique (ALTB)

### Surface insert side A

The insert surface corresponds to the cylinder surface as standard.

Brass, dull (INS-MS)

### Construction time function

Construction time function - double life (BAZ)

Construction time function - triple life (BAZ3)

### Dust cover

Insert dust protection cap 2004 side A (2004-A)

### Tumbler pins

Pins rust-free (ZH\_RF)

# Furniture Locks

## K.MAS\_2006 | Furniture Deadlock

### Application

Deadlock for flush or surface-mounted installation with screws for left- or right-hinged doors as well as top or bottom locking drawers.

### Specification

- Cylinder 1008C (see chapter 'Furniture cylinders')
- Lock case made from nickel-plated metal
- Die-cast base, nickel-plated, zinc-plated steel bolt
- Backset/bolt length 20 mm
- Bolt throw: 10 mm
- Reversible key made from nickel silver
- Key can be retracted when lock is open.

### Included with the cylinder

- Two ea. reversible keys, specify key type (details in chapter 'Keys with Systems and Clips')

### Order example

expert plus (K83)/MAS/2006/NI/RE/20/25 = system  
 expert plus K83/furniture deadlock/2006/nickel-plated/  
 right/backset 20 mm/cylinder length 25 mm

### Cylinder options as follows:

#### Technical system

##### - Factory systems

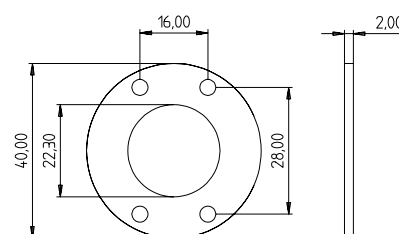
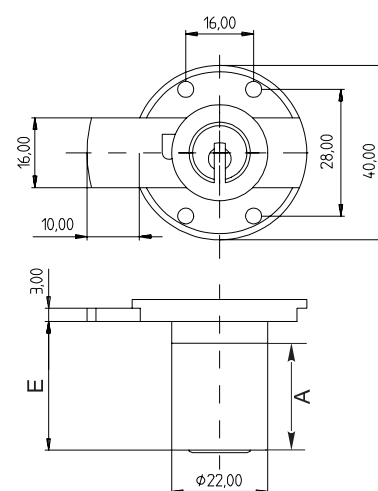
penta cross (K90)  
 penta (K84)  
 quattro plus (K85)  
 gemini plus (K87)

##### - Dealer systems

expert cross (K89)  
 expert plus (K83)  
 expert (K56)  
 eco (K82)  
 matrix plus (K86, Twincode)  
 matrix (K59)

##### - Legacy systems

penta (K57)  
 quattro plus (K58)  
 quattro S (K52)  
 quattro 1.1 (K51)  
 quattro 1.0 (K50S)  
 gemini plus (K81)  
 gemini T (K54)  
 gemini S (K53)  
 gemini (K50)  
 expert (S) (K56)





# Furniture Locks

## K.MAS\_2006 | Furniture Deadlock

### Locking direction

R = right, standard

Left (L)

S = drawer upward

SU = drawer downward

### Cyl. marking extra

Cyl. w. special marking AK981

### Length of furniture cylinders (mm)

25,0

30,0

35,0

40,0

45,0

50,0

55,0

60,0

65,0

70,0

75,0

### Surface cylinder

Nickel-plated (NI)

Brass, dull (MS)

Nickel-plated chemically (NIC)

Chrome-plated (CR)

Chrome, satin (CRM)

Chrome, polished (CRP)

Brass, polished (MP)

Bronzed light (BH)

Bronzed medium (BM)

Bronzed (BD)

Blackened (GSW)

Antique (ALTB)

### Surface insert side A

The insert surface corresponds to the cylinder surface as standard.

Brass, dull (INS-MS)

### (Not) to pull off

Key n. to pull – off

### Construction time function

Construction time function - double life (BAZ)

Construction time function - triple life (BAZ3)

### Dust cover

Insert dust protection cap 2004 side A (2004-A)

### Tumbler pins

Pins rust-free (ZH\_RF)

# Furniture Locks

## K.MAS\_2006A | Furniture Deadlock

### Application

Deadlock for flush or surface-mounted installation with screws for left- or right-hinged doors as well as top or bottom locking drawers.

### Specification

- Cylinder 1008C (see chapter 'Furniture cylinders')
- Lock case made from nickel-plated metal
- Die-cast base, nickel-plated, zinc-plated steel bolt
- Backset/Bolt length: 30, 40, 50, 60, 80 or 100 mm
- Bolt throw: 10 mm
- Reversible key made from nickel silver
- Key can be retracted when lock is open.

### Included with the cylinder

- Two ea. reversible keys, specify key type (details in chapter 'Keys with Systems and Clips')

### Order example

expert plus (K83)/MAS/2006A/NI/RE/30/25 = system  
 expert plus K83/furniture deadlock/2006A/nickel-plated/  
 right/backset 30 mm/cylinder length 25 mm

### Cylinder options as follows:

#### Technical system

##### - Dealer systems

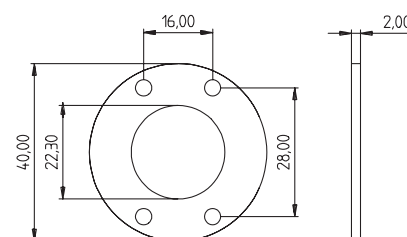
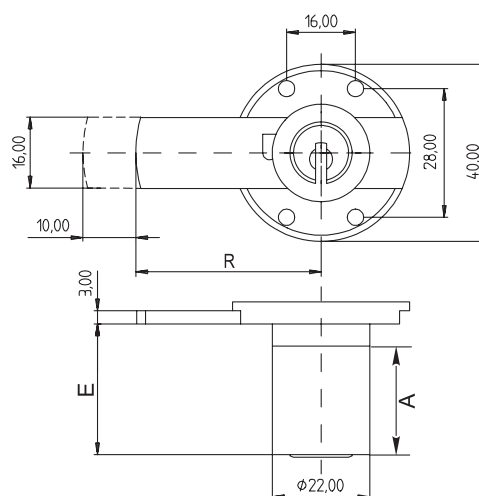
penta cross (K90)  
 penta (K84)  
 quattro plus (K85)  
 gemini plus (K87)

##### - Factory systems

expert cross (K89)  
 expert plus (K83)  
 expert (K56)  
 eco (K82)  
 matrix plus (K86, Twincode)  
 matrix (K59)

##### - Legacy systems

penta (K57)  
 quattro plus (K58)  
 quattro S (K52)  
 quattro 1.1 (K51)  
 quattro 1.0 (K50S)  
 gemini plus (K81)  
 gemini T (K54)  
 gemini S (K53)  
 gemini (K50)  
 expert (S) (K56)



# Furniture Locks

## K.MAS\_2006A | Furniture Deadlock

### Locking direction

R = right, standard

Left (L)

S = drawer upward

SU = drawer downward

### Backset (mm)

30, standard

40

50

60

80

100

### Length of furniture cylinders (mm)

25,0

30,0

31,5

35,0

40,0

45,0

50,0

55,0

60,0

65,0

70,0

75,0

### Surface cylinder

Nickel-plated (NI)

Brass, dull (MS)

Nickel-plated chemically (NIC)

Chrome-plated (CR)

Chrome, satin (CRM)

Chrome, polished (CRP)

Brass, polished (MP)

Bronzed light (BH)

Bronzed medium (BM)

Bronzed (BD)

Blackened (GSW)

Antique (ALTB)

### Surface insert side A

The insert surface corresponds to the cylinder surface as standard.

Brass, dull (INS-MS)

### Construction time function

Construction time function - double life (BAZ)

Construction time function - triple life (BAZ3)

### Dust cover

Insert dust protection cap 2004 side A (2004-A)

### Tumbler pins

Pins rust-free (ZH\_RF)

### Cyl. marking extra

Cyl. w. special marking AK981

# Furniture Locks

## K.MES\_2345 | Espagnolette Lock 2345

### Application

For left- and right-hinged wardrobe doors  
Replaces discontinued espagnolette locks 1345, 78-4-007  
and piccolo nova

### Specification

- Lock case made of nickel-plated sheet metal
- Housing supplied in solid natural brass, nickel-plated
- Backset 25 mm
- Reversible key made from nickel silver

### Included with the cylinder

- Two ea. reversible keys, specify key type (details in chapter 'Keys with Systems and Clips')
- One lock case 2345
- One furniture cylinder 1008C
- One rosette 1008A-25
- One drive rod 1,930 mm long
- One hookbolt set MZU.747.NI

### Order example

expert plus (K83)/MES/2345/R/35/NI/... cylinder options

### Cylinder options as follows:

#### Technical system

##### - Factory systems

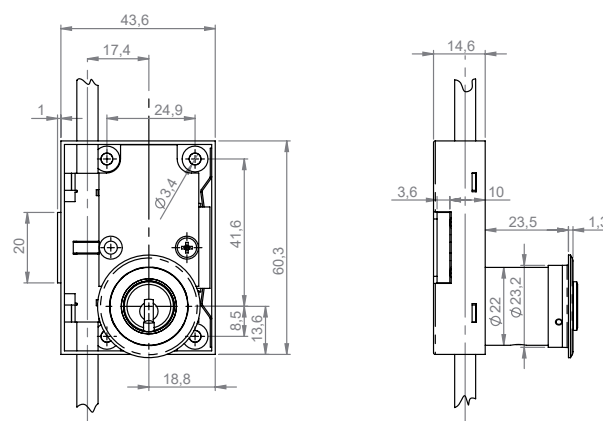
penta cross (K90)  
penta (K84)  
quattro plus (K85)  
gemini plus (K87)

##### - Dealer systems

expert cross (K89)  
expert plus (K83)  
expert (K56)  
eco (K82)  
matrix plus (K86, Twincode)  
matrix (K59)

##### - Legacy systems

penta (K57)  
quattro plus (K58)  
quattro S (K52)  
quattro 1.1 (K51)  
quattro 1.0 (K50S)  
gemini plus (K81)  
gemini T (K54)  
gemini S (K53)  
gemini (K50)  
expert (S) (K56)



# Furniture Locks

## K.MES\_2345 | Espagnolette Lock 2345

### Locking direction

R = right, standard

Left (L)

### Length of furniture cylinders (mm)

25,0

30,0

35,0

40,0

45,0

50,0

55,0

60,0

65,0

70,0

75,0

### Surface cylinder

Nickel-plated (NI)

Brass, dull (MS)

Chrome-plated (CR)

Brass, polished (MP)

Bronzed medium (BM)

### Surface insert side A

The insert surface corresponds to the cylinder surface as standard.

Brass, dull (INS-MS)

### Construction time function

Construction time function - double life (BAZ)

Construction time function - triple life (BAZ3)

### Dust cover

Insert dust protection cap 2004 side A (2004-A)

### Tumbler pins

Pins rust-free (ZH\_RF)

### Accessories cylinder

Without trick pole (no\_DS)

Trick pole 2.5 m (1DS\_2.5)

# Furniture Locks

## K.MES\_3017 | Espagnolette Lock, TERZA

### Application

For revolving doors of all types, with 7 mm square hub  
 For cylinder olives or blind olives with 7 mm square rod or  
 for cylinder type 1057  
 Key can only be removed when closed.

### Specification

- Nickel-plated steel case and mortise plate
- Lock cylinder type 1057 brass, nickel-plated (see chapter 'Furniture cylinders')
- Reversible key made from nickel silver
- Zinc die-cast catch hooks, nickel-plated
- Backset 28 mm

### Included with the cylinder

- Two ea. reversible keys, specify key type (details in chapter 'Keys with Systems and Clips')
- One rosette 1008A-25
- One drive rod, dia. 8 mm × 2,000 mm long
- Security card for ownership registration and ordering duplicate keys
- Installation and maintenance instructions

### Order example

expert plus (K83)/MES/3017/R/25/NI/... cylinder options

### Cylinder options as follows:

#### Technical system

##### - Factory systems

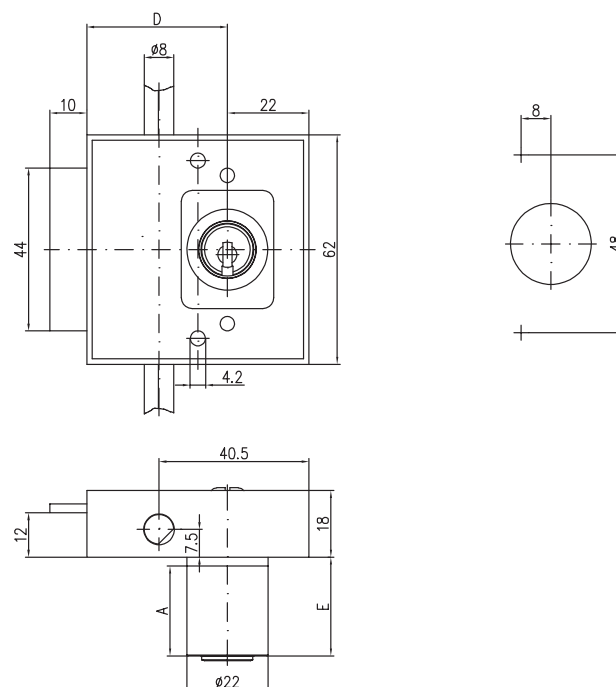
penta cross (K90)  
 penta (K84)  
 quattro plus (K85)  
 gemini plus (K87)

##### - Dealer systems

expert cross (K89)  
 expert plus (K83)  
 expert (K56)  
 eco (K82)  
 matrix plus (K86, Twincode)  
 matrix (K59)

##### - Legacy systems

penta (K57)  
 quattro plus (K58)  
 quattro S (K52)  
 quattro 1.1 (K51)  
 quattro 1.0 (K50S)  
 gemini plus (K81)  
 gemini T (K54)



# Furniture Locks

## K.MES\_3017 | Espagnolette Lock, TERZA

gemi S (K53)  
gemi (K50)  
expert (S) (K56)

### Locking direction

R = right, standard  
Left (L)

### Length of furniture cylinders (mm)

25,0  
30,0  
45,0

### Surface cylinder

Nickel-plated (NI)  
Brass, dull (MS)  
Chrome-plated (CR)  
Brass, polished (MP)  
Bronzed medium (BM)

### Surface insert side A

The insert surface corresponds to the cylinder surface as standard.

Brass, dull (INS-MS)

### Construction time function

Construction time function - double life (BAZ)  
Construction time function - triple life (BAZ3)

### Dust cover

Insert dust protection cap 2004 side A (2004-A)

### Tumbler pins

Pins rust-free (ZH\_RF)

### Accessories cylinder

Without trick pole (no\_DS)  
Trick pole 2.5 m (1DS\_2.5)

# Outside Rim Cylinders

K.AZ\_1007 | Outside Rim Cylinder, centric, diameter 29 mm

## Application

Outside lock cylinder for surface-mounted locks, suitable for door thicknesses from 35 to 80 mm  
Also suitable for surface-mounted lock series 1200, backset 45 mm

## Specification

- Housing made from solid natural brass, surface nickel-plated
- Tailpiece can be turned 90° and can be shortened to length.
- With tailpiece 1007.50-24
- Reversible key made from nickel silver

## Included with the cylinder

- Three reversible keys with a plastic clip (specify separately, see chapter 'Keys with systems and clips' for options)
- Two ea. cylinder fastening screws M5 × 65 mm
- One rosette 1007-11
- One backplate type BS 31
- Security card for ownership registration and ordering duplicate keys
- Installation and maintenance instructions

## Order example

penta (K84)/AZ/1007/NI/... cylinder options

## Cylinder options as follows:

### Technical system

#### - Factory systems

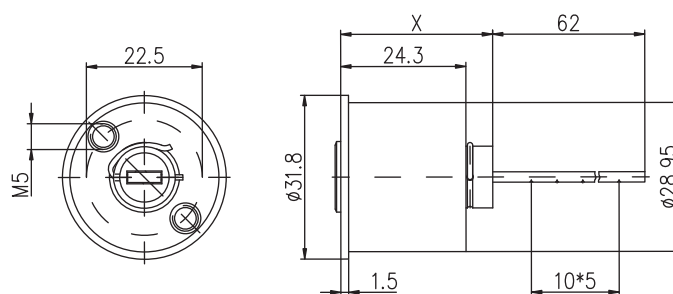
penta cross (K90)  
penta (K84)  
quattro plus (K85)  
gemini plus (K87)

#### - Dealer systems

expert cross (K89)  
expert plus (K83)  
expert (K56)  
eco (K82)  
matrix plus (K86, Twincode)  
matrix (K59)

#### - Legacy systems

penta (K57)  
quattro plus (K58)  
quattro S (K52)  
quattro 1.1 (K51)  
quattro 1.0 (K50S)





# Outside Rim Cylinders

K.AZ\_1007 | Outside Rim Cylinder, centric, diameter 29 mm

gemini plus (K81)  
gemini T (K54)  
gemini S (K53)  
gemini (K50)  
expert (S) (K56)

## System type

Pre-assembled undrilled (VOUG)

## Surface cylinder

Nickel-plated (NI)  
Chrome-plated (CR)  
Brass, dull (MS)  
Brass, polished (MP)  
Bronzed (BD)  
Bronzed medium (BM)

## Surface insert side A

The insert surface finish corresponds to the selected cylinder surface finish in the standard version. Natural brass (INS MS roh) is available for all cylinder finishes except chemically nickel-plated NIC.

## Tailpiece

Without connecting bar (no\_TA)  
Connecting bar 1007/150 mm (TA\_1007-150)  
Connecting bar AK559 (TA\_AK559)

## Access function

Service function SAT1 (SAT1)

## Special function

AK559 (KSS)

## Dust cover

Insert dust protection cap 2004 side A (2004-A)

## Tumbler pins

Pins rust-free (ZH\_RF)

# Outside Rim Cylinders

K.AZ\_89-4-007 | Outside Rim Cylinder, excentric, diameter 29 mm

## Application

Outside lock cylinder for surface-mounted locks, suitable for door thicknesses from 35 to 80 mm  
Suitable for surface-mounted locks with Swiss mounting plates

## Specification

- Housing made from solid natural brass, surface nickel-plated
- Tailpiece can be turned 90° and can be shortened to length.
- With tailpiece 1007.50-24
- Reversible key made from nickel silver

## Included with the cylinder

- Three reversible keys with a plastic clip (specify separately, see chapter 'Keys with systems and clips' for options)
- Two ea. cylinder fastening screws M5 × 65 mm
- One rosette 1007-11
- One backplate type BS 31
- Security card for ownership registration and ordering duplicate keys
- Installation and maintenance instructions

## Order example

penta (K84)/AZ/89-4-007/NI/... cylinder options

## Cylinder options as follows:

### Technical system

#### - Factory systems

penta cross (K90)  
penta (K84)  
quattro plus (K85)  
gemini plus (K87)

#### - Dealer systems

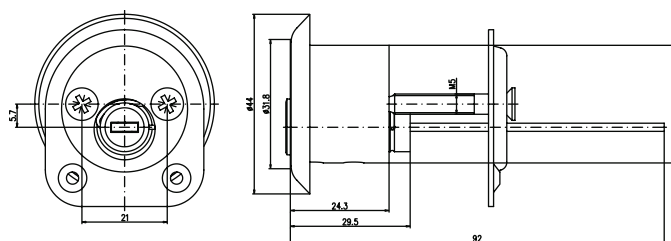
expert cross (K89)  
expert plus (K83)  
expert (K56)  
eco (K82)  
matrix plus (K86, Twincode)  
matrix (K59)

#### - Legacy systems

penta (K57)  
quattro plus (K58)  
quattro S (K52)  
quattro 1.1 (K51)  
quattro 1.0 (K50S)



89-4-007



# Outside Rim Cylinders

K.AZ\_89-4-007 | Outside Rim Cylinder, excentric, diameter 29 mm

gemini plus (K81)  
gemini T (K54)  
gemini S (K53)  
gemini (K50)  
expert (S) (K56)

## System type

Pre-assembled undrilled (VOUG)

## Surface cylinder

Nickel-plated (NI)  
Brass, dull (MS)  
Nickel-plated chemically (NIC)  
Chrome-plated (CR)  
Chrome, polished (CRP)  
Brass, polished (MP)  
Bronzed light (BH)  
Bronzed medium (BM)  
Bronzed (BD)

## Surface insert side A

The insert surface finish corresponds to the selected cylinder surface finish in the standard version. Natural brass (INS MS roh) is available for all cylinder finishes except chemically nickel-plated NIC.

## Tailpiece

Without connecting bar (no\_TA)  
Connecting bar 1007/150 mm (TA\_1007-150)

## Drilling and pulling protection side A

Anti-drill protec. insert

## Construction time function

Construction time function - triple life (BAZ3)

## Dust cover

Insert dust protection cap 2004 side A (2004-A)

## Tumbler pins

Pins rust-free (ZH\_RF)

# Outside Rim Cylinders

K.AZ\_95-4-131 | Outside Rim Cylinder, diameter 29 mm

## Application

Outside lock cylinder for surface-mounted locks, suitable for door thicknesses from 35 to 80 mm  
Suitable for surface-mounted locks

## Specification

- Housing made from solid natural brass, surface nickel-plated
- Tailpiece can be turned 90° and can be shortened to length.
- With tailpiece 1007.50-24
- Reversible key made from nickel silver

## Included with the cylinder

- Three reversible keys with a plastic clip (specify separately, see chapter 'Keys with systems and clips' for options)
- Two ea. cylinder fastening screws M5 × 65 mm
- One rosette ZUST/18R/29
- Security card for ownership registration and ordering duplicate keys
- Installation and maintenance instructions

## Order example

penta (K84)/AZ/95-4-131/NI/... cylinder options

## Cylinder options as follows:

### Technical system

#### - Factory systems

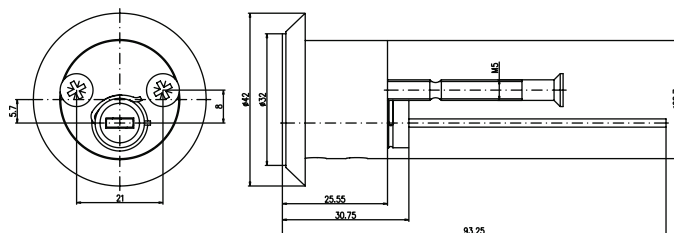
penta cross (K90)  
penta (K84)  
quattro plus (K85)  
gemini plus (K87)

#### - Dealer systems

expert cross (K89)  
expert plus (K83)  
expert (K56)  
eco (K82)  
matrix plus (K86, Twincode)  
matrix (K59)

#### - Legacy systems

penta (K57)  
quattro plus (K58)  
quattro S (K52)  
quattro 1.1 (K51)  
quattro 1.0 (K50S)  
gemini plus (K81)  
gemini T (K54)



# Outside Rim Cylinders

K.AZ\_95-4-131 | Outside Rim Cylinder, diameter 29 mm

gemi S (K53)  
gemi (K50)  
expert (S) (K56)  
No system (K00)

## System type

Pre-assembled undrilled (VOUG)  
Without insert (no\_INS)

## Surface cylinder

Nickel-plated (NI)  
Brass, dull (MS)  
Chrome-plated (CR)  
Brass, polished (MP)  
Bronzed light (BH)  
Bronzed medium (BM)  
Bronzed (BD)

## Surface insert side A

The insert surface finish corresponds to the selected cylinder surface finish in the standard version. Natural brass (INS MS roh) is available for all cylinder finishes except chemically nickel-plated NIC.

## Tailpiece

Without connecting bar (no\_TA)  
Connecting bar 1007/150 mm (TA\_1007-150)

## Special function

AK681 (thumbturn knob)

## Tumbler pins

Pins rust-free (ZH\_RF)

# Outside Rim Cylinders

K.AZ\_96-4-001 | Outside Rim Cylinder, diameter 29 mm

## Application

Outside lock cylinder for surface-mounted locks, suitable for door thicknesses from 35 to 80 mm  
Suitable for EVVA types K513, K900 and K910-K950

## Specification

- Housing made from solid natural brass, surface nickel-plated
- Tailpiece can be turned 90° and can be shortened to length.
- With tailpiece 1007.50-24
- Reversible key made from nickel silver

## Included with the cylinder

- Three reversible keys with a plastic clip (specify separately, see chapter 'Keys with systems and clips' for options)
- Two ea. cylinder fastening screws M5 × 65 mm
- One rosette ZUST/18R/29
- Security card for ownership registration and ordering duplicate keys
- Installation and maintenance instructions

## Order example

penta (K84)/AZ/96-4-001/NI/... cylinder options

## Cylinder options as follows:

### Technical system

#### - Factory systems

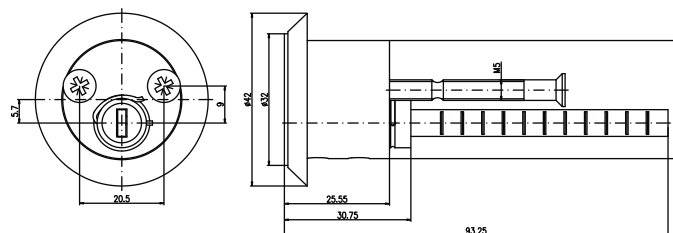
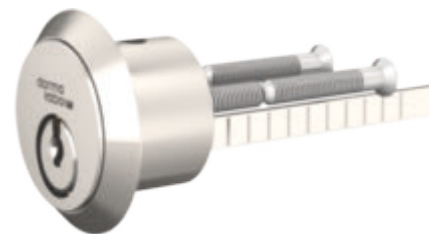
penta cross (K90)  
penta (K84)  
quattro plus (K85)  
gemini plus (K87)

#### - Dealer systems

expert cross (K89)  
expert plus (K83)  
expert (K56)  
eco (K82)  
matrix plus (K86, Twincode)  
matrix (K59)

#### - Legacy systems

penta (K57)  
quattro plus (K58)  
quattro S (K52)  
quattro 1.1 (K51)  
quattro 1.0 (K50S)  
gemini plus (K81)  
gemini T (K54)



# Outside Rim Cylinders

K.AZ\_96-4-001 | Outside Rim Cylinder, diameter 29 mm

gemi S (K53)  
gemi (K50)  
expert (S) (K56)  
No system (K00)

## System type

Cylinder assembled w/o keying  
Without insert (no\_INS)

## Surface cylinder

Nickel-plated (NI)  
Brass, dull (MS)  
Brass, polished (MP)  
Bronzed (BD)

## Surface insert side A

The insert surface finish corresponds to the selected cylinder surface finish in the standard version. Natural brass (INS MS roh) is available for all cylinder finishes except chemically nickel-plated NIC.

## Tailpiece

Without connecting bar (no\_TA)  
Connecting bar 1007/150 mm (TA\_1007-150)

## Construction time function

Construction time function - double life (BAZ)

## Tumbler pins

Pins rust-free (ZH\_RF)

# Outside Rim Cylinders

K.AZ\_1508 | Outside Rim Cylinder, excentric, diameter 32 mm

## Application

Eccentric for garage door locks, suitable for wooden panels from 30 to 80 mm

## Specification

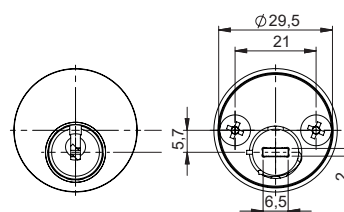
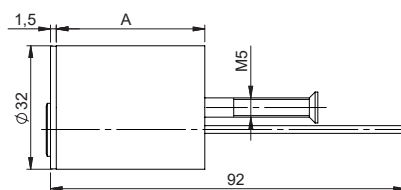
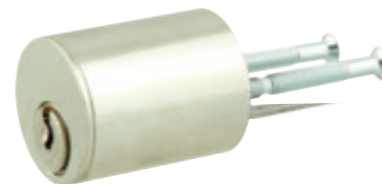
- Housing made from solid natural brass, surface nickel-plated
- Reversible key made from nickel silver
- With tailpiece 1007.50-24

## Included with the cylinder

- Three reversible keys with a plastic clip (specify separately, see chapter 'Keys with systems and clips' for options)
- Two ea. cylinder fastening screws, M5 × 60 mm
- Spacer sleeve 40 mm standard
- Security card for ownership registration and ordering duplicate keys
- Installation and maintenance instructions

## Order example

penta (K84)/AZ/1508/NI/... cylinder options



## Cylinder options as follows:

### Technical system

#### - Factory systems

penta cross (K90)

penta (K84)

quattro plus (K85)

gemini plus (K87)

#### - Dealer systems

expert cross (K89)

expert plus (K83)

expert (K56)

eco (K82)

matrix plus (K86, Twincode)

matrix (K59)

#### - Legacy systems

penta (K57)

quattro plus (K58)

quattro S (K52)

quattro 1.1 (K51)

quattro 1.0 (K50S)

gemini plus (K81)

gemini T (K54)

gemini S (K53)

gemini (K50)

expert (S) (K56)



# Outside Rim Cylinders

K.AZ\_1508 | Outside Rim Cylinder, excentric, diameter 32 mm

## Surface cylinder

Nickel-plated (NI)

Brass, dull (MS)

## Surface insert side A

The insert surface finish corresponds to the selected cylinder surface finish in the standard version. Natural brass (INS MS roh) is available for all cylinder finishes except chemically nickel-plated NIC.

## Tailpiece

Without connecting bar (no\_TA)

Connecting bar 1007/150 mm (TA\_1007-150)

## Construction time function

Construction time function - double life (BAZ)

## Dust cover

Insert dust protection cap 2004 side A (2004-A)

## Tumbler pins

Pins rust-free (ZH\_RF)

## Distance sleeve (mm)

33

35

40

50

55

60

70

80

90

# Outside Rim Cylinders

## K.AZ\_120K5-V1K | Outside Rim Cylinder for Lockwood and ORB Security Locks

### Application

Suitable for LOCKWOOD 205, 207, 255 and 257 deadlocks, inside cylinders only and ORB security locks

### Specification

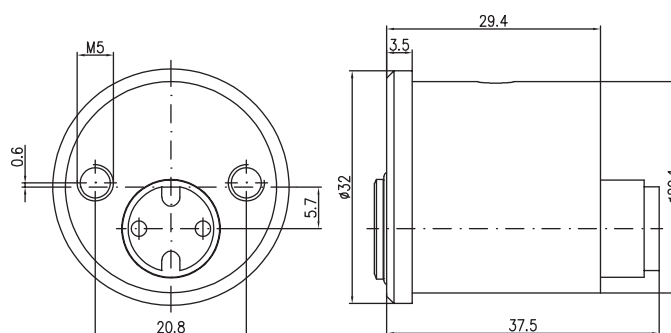
- Housing made of natural brass, chrome-plated
- Reversible key made from nickel silver

### Included with the cylinder

- Three reversible keys with a plastic clip (specify separately, see chapter 'Keys with systems and clips' for options)
- Security card for ownership registration and ordering duplicate keys
- Installation and maintenance instructions

### Order example

expert plus (K83)/AZ/120K5-V1K/CR/... cylinder options



### Cylinder options as follows:

#### Technical system

##### - Dealer systems

- expert cross (K89)
- expert plus (K83)
- expert (K56)

#### Surface cylinder

- Chrome-plated (CR)
- Brass, polished (MP)

#### Surface insert side A

The insert surface corresponds to the cylinder surface as standard.

- Brass, untreated (INS-MSR)

#### Dust cover

Insert dust protection cap 2004 side A (2004-A)

#### Tumbler pins

Pins rust-free (ZH\_RF)

# Outside Rim Cylinders

## K.AZ\_AK745 | Outside Rim Cylinder for CISA Surface-Mounted Lock

### Application

Cylinder for CISA surface-mounted locks, can be used together with inside cylinder IZ.AK285 (see chapter 'Inside cylinders')

### Specification

- Housing made from solid natural brass, surface nickel-plated
- Tailpiece can be shortened to length as required.
- With tailpiece 1007.50-24
- Reversible key made from nickel silver

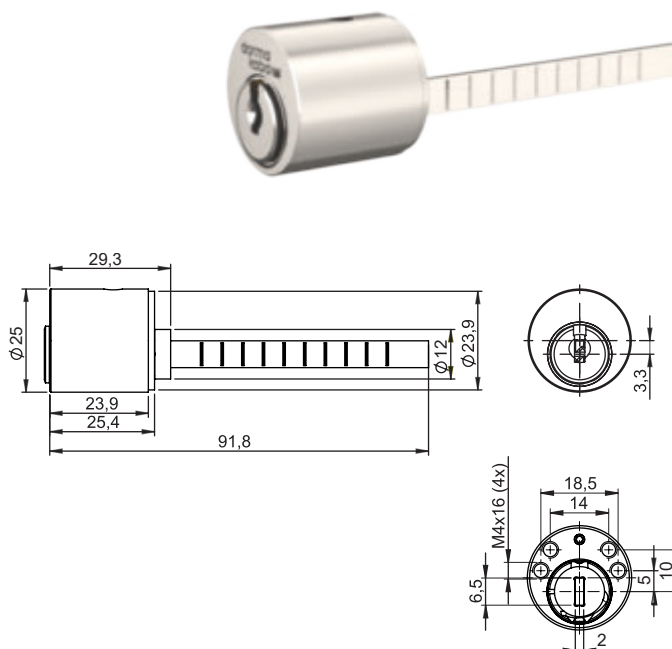
### Included with the cylinder

- Three reversible keys with a plastic clip (specify separately, see chapter 'Keys with systems and clips' for options)
- Security card for ownership registration and ordering duplicate keys
- Installation and maintenance instructions

### Order example

expert plus (K83)/AZ/AK745/NI/... cylinder options

### Cylinder options as follows:



# Outside Rim Cylinders

K.AZ\_AK745 | Outside Rim Cylinder for CISA Surface-Mounted Lock

## Technical system

### - Factory systems

penta cross (K90)  
 penta (K84)  
 quattro plus (K85)  
 gemini plus (K87)

### - Dealer systems

expert cross (K89)  
 expert plus (K83)  
 expert (K56)  
 eco (K82)  
 matrix plus (K86, Twincode)  
 matrix (K59)  
 entro (K91, Twincode)

### - Legacy systems

penta (K57)  
 quattro plus (K58)  
 quattro S (K52)  
 quattro 1.1 (K51)  
 quattro 1.0 (K50S)  
 gemini plus (K81)  
 gemini T (K54)  
 gemini S (K53)  
 gemini (K50)  
 expert (S) (K56)

## System type

Pre-assembled undrilled (VOUG)  
 Without insert (no\_INS)

## Surface cylinder

Nickel-plated (NI)  
 Brass, dull (MS)  
 Nickel-plated chemically (NIC)  
 Brass, polished (MP)  
 Brass, full polished (AK830)

## Tailpiece

Connecting bar 1007/150 mm (TA\_1007-150)

## Access function

Service function SAT1 (SAT1)

## Construction time function

Construction time function - double life (BAZ)  
 Construction time function - triple life (BAZ3)

## Dust cover

Insert dust protection cap 2004 side A (2004-A)

## Tumbler pins

Pins rust-free (ZH\_RF)



# Outside Rim Cylinders

K.AZIZ/AK285\_745 | Outside and Inside Cylinders for CISA Electric Locks

**Tumbler pins**

Pins rust-free (ZH\_RF)

# Inside Rim Cylinders

## K.IZ\_AK285 | Inside Rim Cylinder for CISA Electric Lock

### Application

Inside cylinder for CISA electric locks, can be used together with outside cylinder AZ.AK745 (see chapter 'Outside rim cylinders')

### Specification

- Housing made from solid natural brass, surface nickel-plated
- Reversible key made from nickel silver

### Included with the cylinder

- Three reversible keys with a plastic clip (specify separately, see chapter 'Keys with systems and clips' for options)
- Security card for ownership registration and ordering duplicate keys
- Installation and maintenance instructions

### Order example

expert plus (K83)/IZ/AK285/NI/... cylinder options

### Cylinder options as follows:

#### Technical system

##### - Factory systems

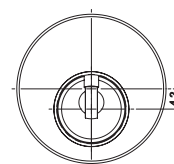
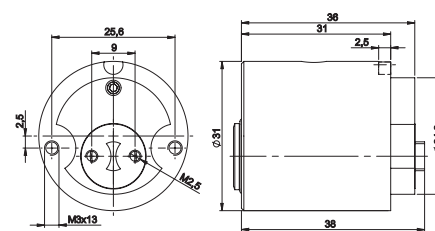
penta cross (K90)  
penta (K84)  
quattro plus (K85)  
gemini plus (K87)

##### - Dealer systems

expert cross (K89)  
expert plus (K83)  
expert (K56)  
eco (K82)  
matrix plus (K86, Twincode)  
matrix (K59)  
entro (K91, Twincode)

##### - Legacy systems

penta (K57)  
quattro plus (K58)  
quattro S (K52)  
quattro 1.1 (K51)  
quattro 1.0 (K50S)  
gemini plus (K81)  
gemini T (K54)  
gemini S (K53)  
gemini (K50)  
expert (S) (K56)



# Inside Rim Cylinders

K.IZ\_AK285 | Inside Rim Cylinder for CISA Electric Lock

## **Surface cylinder**

Nickel-plated (NI)

Brass, dull (MS)

Nickel-plated chemically (NIC)

Brass, polished (MP)

## **Surface insert side A**

The insert surface finish corresponds to the selected cylinder surface finish in the standard version. Natural brass (INS MS roh) is available for all cylinder finishes except chemically nickel-plated NIC.

## **Construction time function**

Construction time function - double life (BAZ)

Construction time function - triple life (BAZ3)

## **Dust cover**

Insert dust protection cap 2004 side A (2004-A)

## **Tumbler pins**

Pins rust-free (ZH\_RF)



# Key Switch Cylinders

## K.SZO\_1007F | Key Switch Cylinder, without switch element

### Application

Switch cylinder with flat tailpiece, tailpiece standard with radial play

### Specification

- Housing supplied in solid natural brass with nickel plating
- Housing diameter 31.8 mm
- Plastic drive arm widths: 12 mm and 14 mm
- Brass drive arm widths: 6.7 mm and 11.85 mm
- Option key retraction  $2 \times 180^\circ$  is only possible with quattro and expert systems (four pin rows).
- Reversible key made from nickel silver

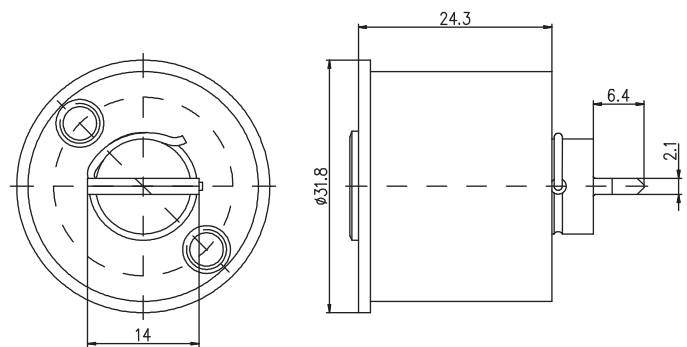
### Included with the cylinder

- Two reversible keys (see 'Special functions and keys' for key options)
- Plastic key clip in black for penta (K84), in dark blue for all other systems
- Plastic drive arm 12 mm unless otherwise specified
- Security card for ownership registration and ordering duplicate keys
- Installation and maintenance instructions

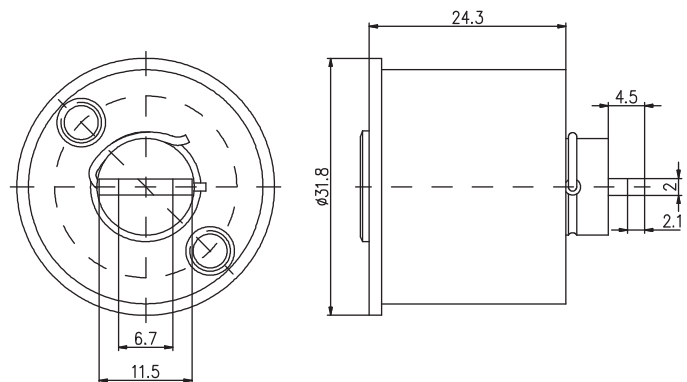
### Order example

penta (K84)/SZO/1007F/NI/... cylinder options

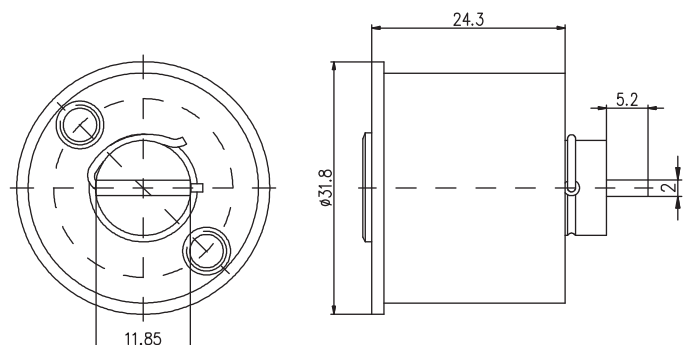
### Cylinder options as follows:



With tailpiece 1007F.STD, Drwg. 98-4-107



With Tailpiece 1007F.40, Drwg. 98-4-103



With tailpiece 1007F.56, Drwg. 98-4-105

# Key Switch Cylinders

## K.SZO\_1007F | Key Switch Cylinder, without switch element

### Technical system

#### - Factory systems

penta (K84)

quattro plus (K85)

gemini plus (K87)

#### - Dealer systems

expert plus (K83)

expert (K56)

eco (K82)

matrix plus (K86, Twincode)

matrix (K59)

#### - Legacy systems

penta (K57)

quattro plus (K58)

quattro S (K52)

quattro 1.1 (K51)

quattro 1.0 (K50S)

gemini plus (K81)

gemini T (K54)

gemini S (K53)

gemini (K50)

expert (S) (K56)

### Surface cylinder

Nickel-plated (NI)

Brass, dull (MS)

Nickel-plated chemically (NIC)

Chrome-plated (CR)

Bronzed medium (BM)

Bronzed (BD)

### Surface insert side A

The insert surface corresponds to the cylinder surface as standard.

Nickel-plated grinded (INS-NIG)

Brass, untreated (INS-MSR)

### Tailpiece

Tailpiece 1007-56 (TA\_1007-56)

Tailpiece 1007-40 (TA\_1007-40)

Tailpiece 1007F-STD (TA\_98-4-107)

Tailpiece 1007-39P (TA\_1007-39P)

### Key removal

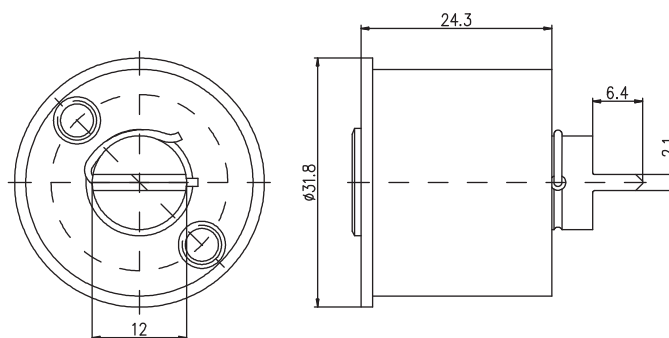
1 × 360° (1x360)

2 × 180° (2x180)

### Construction time function

Construction time function - double life (BAZ)

Construction time function - triple life (BAZ3)



With tailpiece 1007F.39P, Drwg. 98-4-101

# Key Switch Cylinders

K.SZO\_1007F | Key Switch Cylinder, without switch element

**Dust cover**

Insert dust protection cap 2004 side A (2004-A)

**Tumbler pins**

Pins rust-free (ZH\_RF)

**Cyl. marking extra**

Cylinder marking AK656 (AK656)

# Key Switch Cylinders

## K.SZO\_1065B/1065C | Key Switch Cylinder, without switch element

### Application

Key switch cylinder without switch element for multiple retraction settings

### Specification

- Type 1065B – key retraction 2 × 180°  
Type 1065C – key retraction 1 × 360°
- Option key retraction 2 × 180° is only possible with quattro and expert systems (four pin rows).
- Housing made of brass, nickel-plated
- Housing diameter 22 mm
- With tailpiece 1007-44
- Mounting plate BS-5
- Reversible key made from nickel silver

### Included with the cylinder

- Two ea. reversible keys, specify key type (details in chapter 'Keys with Systems and Clips')
- Security card for ownership registration and ordering duplicate keys
- Installation and maintenance instructions

### Order example

### Cylinder options as follows:

penta (K84)/SZO/1065C/NI/... cylinder options

### Technical system

#### - Factory systems

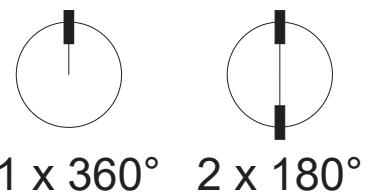
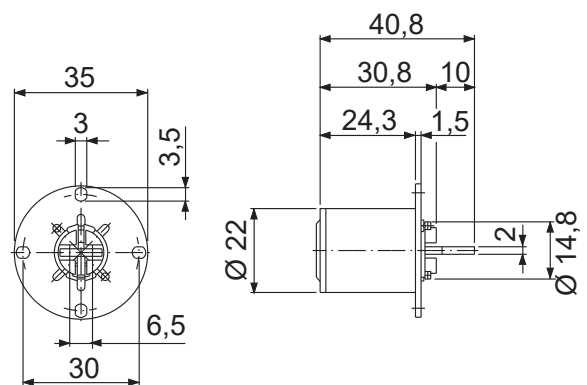
penta (K84)  
quattro plus (K85)  
gemini plus (K87)

#### - Dealer systems

expert plus (K83)  
expert (K56)  
eco (K82)  
matrix plus (K86, Twincode)  
matrix (K59)

#### - Legacy systems

penta (K57)  
quattro plus (K58)  
quattro S (K52)  
quattro 1.1 (K51)  
quattro 1.0 (K50S)  
gemini plus (K81)  
gemini T (K54)  
gemini S (K53)  
gemini (K50)  
expert (S) (K56)



# Key Switch Cylinders

K.SZO\_1065B/1065C | Key Switch Cylinder, without switch element

**System type**

Cylinder assembled  
Pre-assembled undrilled (VOUG)  
Without insert (no\_INS)

**Surface cylinder**

Nickel-plated (NI)  
Chrome-plated (CR)

**Surface insert side A**

Nickel-plated (INS-NI)  
Brass, dull (INS-MS)  
Chrome-plated (INS-CR)

**Construction time function**

Construction time function - double life (BAZ)  
Construction time function - triple life (BAZ3)

**Dust cover**

Insert dust protection cap 2004 side A (2004-A)

**Tumbler pins**

Pins rust-free (ZH\_RF)

# Key Switch Cylinders

## K.SZO\_1065BZ/1065CZ | Key Switch Cylinder, without switch element

### Application

Key switch cylinder without switch element for multiple retraction settings

### Specification

- Type 1065BZ – key retraction  $2 \times 180^\circ$   
Type 1065CZ – key retraction  $1 \times 360^\circ$
- Option key retraction  $2 \times 180^\circ$  is only possible with quattro and expert systems (four pin rows).
- Housing made of brass, nickel-plated
- Housing diameter M25 x 1
- With tailpiece 1007-44
- Mounting plate BS-5
- Reversible key made from nickel silver

### Included with the cylinder

- Two ea. reversible keys, specify key type (details in chapter 'Keys with Systems and Clips')
- Security card for ownership registration and ordering duplicate keys
- Installation and maintenance instructions

### Order example

penta (K84)/SZO/1065CZ/NI/... cylinder options

### Cylinder options as follows:

#### Technical system

##### - Factory systems

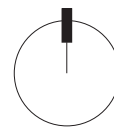
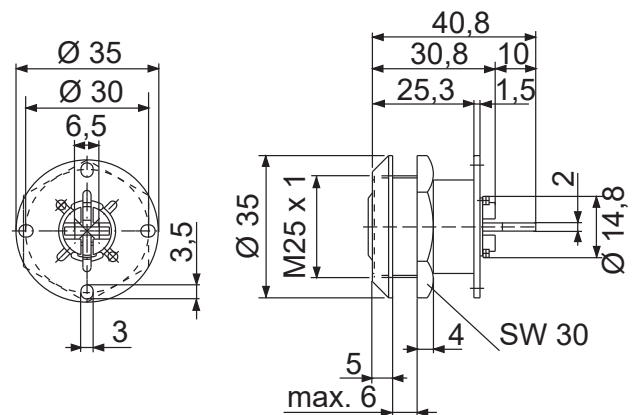
penta (K84)  
quattro plus (K85)  
gemini plus (K87)

##### - Dealer systems

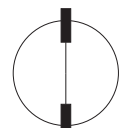
expert plus (K83)  
expert (K56)  
eco (K82)  
matrix plus (K86, Twincode)  
matrix (K59)

##### - Legacy systems

penta (K57)  
quattro plus (K58)  
quattro S (K52)  
quattro 1.1 (K51)  
quattro 1.0 (K50S)  
gemini plus (K81)  
gemini T (K54)  
gemini S (K53)  
gemini (K50)  
expert (S) (K56)



1 x 360°



2 x 180°

# Key Switch Cylinders

K.SZO\_1065BZ/1065CZ | Key Switch Cylinder, without switch element

**System type**

Cylinder assembled  
Pre-assembled undrilled (VOUG)  
Without insert (no\_INS)

**Surface cylinder**

Nickel-plated (NI)  
Chrome-plated (CR)

**Surface insert side A**

Nickel-plated (INS-NI)  
Brass, dull (INS-MS)  
Chrome-plated (INS-CR)

**Construction time function**

Construction time function - double life (BAZ)  
Construction time function - triple life (BAZ3)

**Dust cover**

Insert dust protection cap 2004 side A (2004-A)

**Tumbler pins**

Pins rust-free (ZH\_RF)

# Key Switch Cylinders

K.SZO\_87-3-008 | Key Switch Cylinder, without switch element

## Application

Key switch cylinder without switch elements in Euro profile 17 mm

## Specification

- Housing made from solid natural brass, surface nickel-plated
- Two threaded bores M4 on the back side of the housing
- Reversible key made from nickel silver

## Included with the cylinder

- Two ea. reversible keys, specify key type (details in chapter 'Keys with Systems and Clips')
- Security card for ownership registration and ordering duplicate keys
- Installation and maintenance instructions

## Order example

penta (K84)/SZO/87-3-008/NI/... cylinder options

## Cylinder options as follows:

### Technical system

#### - Factory systems

penta (K84)  
quattro plus (K85)  
gemini plus (K87)

#### - Dealer systems

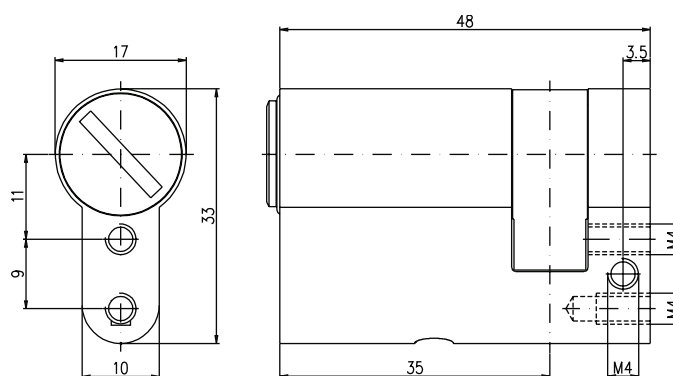
expert plus (K83)  
expert (K56)  
eco (K82)  
matrix plus (K86, Twincode)  
matrix (K59)

#### - Legacy systems

penta (K57)  
quattro plus (K58)  
quattro S (K52)  
quattro 1.1 (K51)  
quattro 1.0 (K50S)  
gemini plus (K81)  
gemini T (K54)  
gemini S (K53)  
gemini (K50)  
expert (S) (K56)

## Surface cylinder

Nickel-plated (NI)  
Brass, dull (MS)  
Brass, polished (MP)





# Key Switch Cylinders

K.SZO\_87-3-008 | Key Switch Cylinder, without switch element

## Surface insert side A

The insert surface corresponds to the cylinder surface as standard.

Brass, untreated (INS-MSR)

## Key movement

Relative movement 3-9 right (RB\_3-9\_R)

## Cam

With cam R17

## Cam with screw

Standard: 30°

Optional: 0° to 360° in 15° steps

## Drilling and pulling protection side A

Anti-drill protec. insert

## Access function

Duplo function side A (DF-A)

Service function SAT1 (SAT1)

Access functions are only available for limited technical systems. See chapter 'Special functions'.

## Construction time function

Construction time function - double life (BAZ)

Construction time function - triple life (BAZ3)

Construction time function is only available for limited technical systems. See chapter 'Special functions'.

## Dust cover

Dust and splash protection side A (SSW-A)

Insert dust protection cap 2004 side A (2004-A)

## Backmilled side A

Backmilled 2 mm side A (RG2-A)

Backmilled 3 mm side A (RG3-A)

Backmilled 3.6 mm side A (RG3.6-A)

Backmilled 5 mm side A (RG5-A)

# Key Switch Cylinders

K.SZO\_AK794 | Key Switch Cylinder, without switch element, for rail vehicles

## Application

Key switch cylinder without switch elements for rolling stock

## Specification

- Housing supplied in solid natural brass, nickel-plated
- Coupling with thread M12
- Key removal position 1 × 360°
- Reversible key made from nickel silver

## Included with the cylinder

- Two ea. reversible keys, specify key type (details in chapter 'Keys with Systems and Clips')
- One hex nut M23/27 hex
- Security card for ownership registration and ordering duplicate keys
- Installation and maintenance instructions

## Order example

gemi plus (K87)/SZO/AK794/NI/... cylinder options

## Cylinder options as follows:

### Technical system

#### - Factory systems

gemi plus (K87)

#### - Legacy systems

gemi S (K53)

### Construction time function

Construction time function - double life (BAZ)

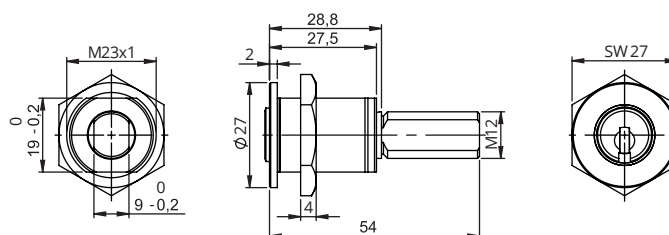
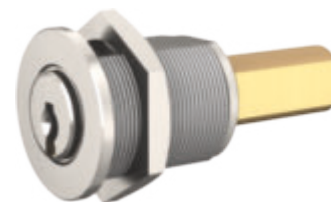
Construction time function - triple life (BAZ3)

### Dust cover

Insert dust protection cap 2004 side A (2004-A)

### Tumbler pins

Pins rust-free (ZH\_RF)



# Key Switch Cylinders

K.SZO\_AK854 | Key Switch Cylinder, without switch element, with special coupling

## Application

Adaptation of key switch cylinder 85-3-033 designed for HESA Milano

## Specification

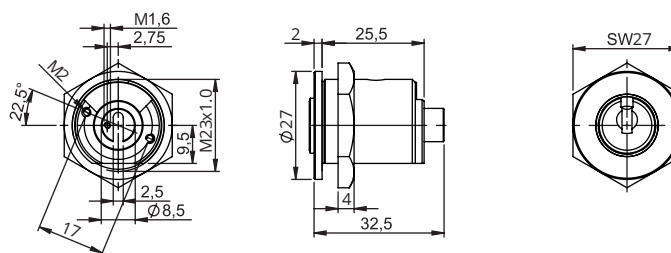
- Housing supplied in solid natural brass, nickel-plated
- Option key retraction  $2 \times 180^\circ$  is only possible with quattro and expert systems (four pin rows).
- Reversible key made from nickel silver

## Included with the cylinder

- Two ea. reversible keys, specify key type (details in chapter 'Keys with Systems and Clips')
- One hex nut M23/27
- Security card for ownership registration and ordering duplicate keys
- Installation and maintenance instructions

## Order example

quattro plus (K58)/SZO/AK854/NI/... cylinder options



## Cylinder options as follows:

### Technical system

#### - Factory systems

quattro plus (K85)

#### - Dealer systems

expert plus (K83)

expert (K56)

#### - Legacy systems

quattro plus (K58)

### Key removal

$1 \times 360^\circ$  (1x360)

$2 \times 180^\circ$  (2x180)

### Construction time function

Construction time function - double life (BAZ)

Construction time function - triple life (BAZ3)

### Tumbler pins

Pins rust-free (ZH\_RF)

# Key Switch Cylinders

## K.SZO\_1262 | Key Switch Cylinder for Rotary Selection Switches, without switch element

### Application

Key switch with multiple retraction points for rotary selector switches

All key retraction positions per type are bored unless otherwise specified.

For restricted key rotation (X in the order code), specify the retraction positions required as per the illustrations below for 4 × 90°, 6 × 60°, 8 × 45° and 1 × 360°.



### Specification

- Housing made from solid natural brass, surface nickel-plated
- Housing diameter 22 mm
- Cam from nickel silver
- Reversible key made from nickel silver
- Types A, AB, B, C, D, T with attachment plate BS-29
- Types G, TA without attachment plate

### Included with the cylinder

- Two ea. reversible keys, specify key type (details in chapter 'Keys with Systems and Clips')
- Security card for ownership registration and ordering duplicate keys
- Installation and maintenance instructions

### Installed length

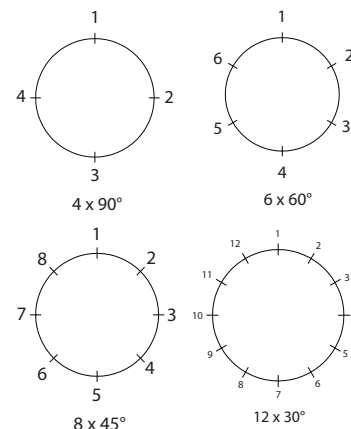
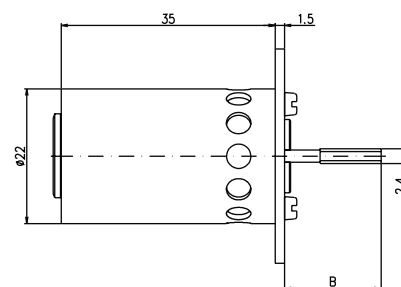
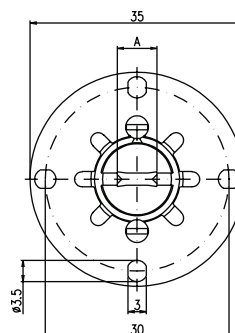
35 mm

### Order example

expert plus (K83)/SZO/1262A/NI/... cylinder options

### Cylinder options as follows:

Type cylinder	Tailpiece	Key removal
1262 A	With tailpiece 1262-13/20	4 × 90°
1262 AB	With tailpiece 1262-15/11	4 × 90°
1262 B	With tailpiece 1262-13/20	6 × 60°
1262 C	With tailpiece 1262-13/20	8 × 45°
1262 D	With tailpiece 1262-13/20	12 × 30°
1262 G	With tailpiece 1262-15/16	8 × 45°
1262T	With tailpiece 1262-13/20	1 × 360° (1x360)
1262TA	With tailpiece 1262-17/11	1 × 360° (1x360)



Key retraction positions for X types

# Key Switch Cylinders

K.SZO\_1262 | Key Switch Cylinder for Rotary Selection Switches, without switch element

## Technical system

### - Factory systems

penta (K84)  
quattro plus (K85)  
gemini plus (K87)  
- **Dealer systems**  
expert plus (K83)  
expert (K56)  
expert (S) (K56)  
eco (K82)  
matrix plus (K86, Twincode)  
matrix (K59)

### - Legacy systems

penta (K57)  
quattro plus (K58)  
quattro S (K52)  
quattro 1.1 (K51)  
quattro 1.0 (K50S)  
gemini plus (K81)  
gemini T (K54)  
gemini S (K53)  
gemini (K50)

## Surface cylinder

Nickel-plated (NI)  
Nickel-plated chemically (NIC)  
Chrome-plated (CR)  
Brass, dull (MS)  
Brass, polished (MP)

## Surface insert side A

The insert surface corresponds to the cylinder surface as standard.

## X-withdrawal position

With X-withdrawal position

Examples:

.../X/Pos\_1/Pos\_4/...

.../X/Pos\_2/N\_Pos\_4/...

## Withdrawal position 1

No key removal pos. 1  
Key removal pos. 1

## Withdrawal position 2

No key removal pos. 2  
Key removal pos. 2

## Withdrawal position 3

No key removal pos. 3  
Key removal pos. 3

## Withdrawal position 4

No key removal pos. 4  
Key removal pos. 4

## Withdrawal position 5

No key removal pos. 5  
Key removal pos. 5

## Withdrawal position 6

No key removal pos. 6  
Key removal pos. 6

## Withdrawal position 7

No key removal pos. 7  
Key removal pos. 7

## Withdrawal position 8

No key removal pos. 8  
Key removal pos. 8

## Withdrawal position 9

No key removal pos. 9  
Key removal pos. 9

## Withdrawal pos. 10

No key removal pos. 10  
Key removal pos. 10

## Withdrawal pos. 11

No key removal pos. 11  
Key removal pos. 11

## Withdrawal pos. 12

No key removal pos. 12  
Key removal pos. 12

## Construction time function

Construction time function - double life (BAZ)  
Construction time function - triple life (BAZ3)

## Dust cover

Insert dust protection cap 2004 side A (2004-A)

## Tumbler pins

Pins rust-free (ZH\_RF)

# Key Switch Cylinders

## K.SZM\_85-3-033 | Key Switch Cylinder, with switch element, M23x1

### Application

Key switch cylinder with key retraction settings, on/off or as impulse switch

1 × 90° – key exits in 'off' position only. Cylinder with a stop in both positions.

1 × 90° impulse – key exits in 'off' position only. Cylinder remains in 'on' position under applied key torque only.

2 × 180° – key exits in 'off' and 'on' position. Cylinder with a stop in both positions. Only available in cylinder systems quattro and expert.

1 × 360° – key exits in 'off' and 'on' position. Key makes a turn of 360°

### Specification

- Housing supplied in solid natural brass, nickel-plated
- Nickel-plated brass hex fastening nut
- Hex fastening nut, nickel-plated M23 × 1, width across flats 27 mm
- Impulse switch with spring to return the key to the 0° position
- Microswitch 250 V/5 A, two channels (= one opener and one closer)
- Reversible key made from nickel silver

### Included with the cylinder

- Two ea. reversible keys, specify key type (details in chapter 'Keys with Systems and Clips')
- Security card for ownership registration and ordering duplicate keys
- Installation and maintenance instructions

### Installed length

42.5 mm

### Order example

expert plus (K83)/SZM/85-3-033/NI/... cylinder options

### Cylinder options as follows:

#### Technical system

##### - Factory systems

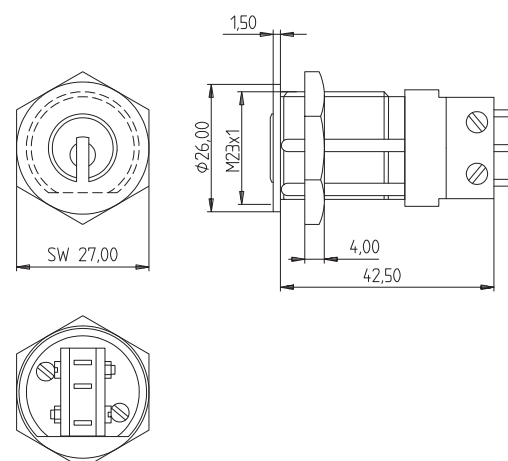
penta cross (K90)

penta (K84)

quattro plus (K85)

gemini plus (K87)

##### - Dealer systems



# Key Switch Cylinders

K.SZM\_85-3-033 | Key Switch Cylinder, with switch element, M23x1

expert cross (K89)  
 expert plus (K83)  
 expert (K56)  
 expert (S) (K56)  
 matrix plus (K86, Twincode)  
 matrix (K59)  
 eco (K82)  
 entro (K91, Twincode)

## - Legacy systems

penta (K57)  
 quattro plus (K58)  
 quattro S (K52)  
 quattro 1.1 (K51)  
 quattro 1.0 (K50S)  
 gemini plus (K81)  
 gemini T (K54)  
 gemini S (K53)  
 gemini (K50)  
 No system (K00)

## Surface cylinder

Nickel-plated (NI)  
 Nickel-plated chemically (NIC)  
 Chrome-plated (CR)  
 Brass, dull (MS)  
 Brass, polished (MP)  
 Bronzed medium (BM)  
 Antique (ALTB)

## Surface insert side A

The insert surface corresponds to the cylinder surface as standard.

Brass, dull (INS-MS)  
 Brass, untreated (INS-MSR)

## Key removal

1 × 90°  
 1 × 90° Impuls  
 2 × 180° (2x180)  
 1 × 360° (1x360)

## Drilling and pulling protection side A

Anti-drill protec. insert

## Construction time function

Construction time function - double life (BAZ)  
 Construction time function - triple life (BAZ3)

## Dust cover

Insert dust protection cap 2004 side A (2004-A)

## Tumbler pins

Pins rust-free (ZH\_RF)

# Key Switch Cylinders

## K.SZM\_M19X1 | Key Switch Cylinder, with switch element, M19x1

### Application

Key switch cylinder with key retraction settings, on/off or as impulse switch

For a description of cylinder functions

### Specification

- Housing supplied in solid natural brass, nickel-plated
- Housing diameter M19 × 1
- Hex nut M19 × 1 nickel-plated, WAF 24 mm
- Reversible key made from nickel silver
- Impulse switch with spring to return the key to the 0° position
- Option key retraction 2 × 180° is only possible with quattro and expert systems (four pin rows).

### Included with the cylinder

- Two reversible keys (see 'Special functions and keys' for key options)
- Security card for ownership registration and ordering duplicate keys
- Installation and maintenance instructions

### Installed length

49 mm

### Switch element

- One or two microswitches Burgess F4T7, current up to 48 V max (low voltage range)

### Order example

expert plus (K83)/SZM/M19x1/NI/... cylinder options

### Cylinder options as follows:

#### Technical system

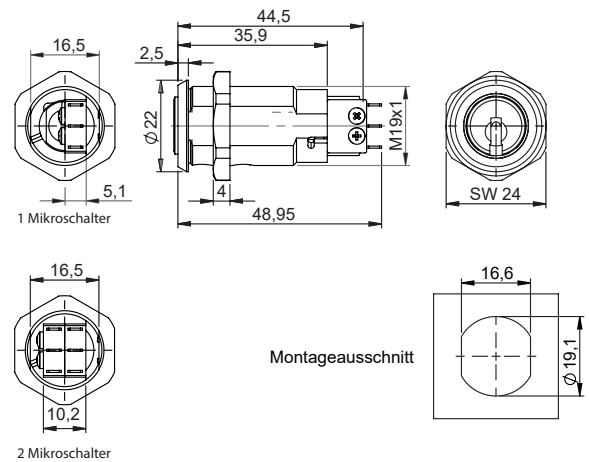
##### - Factory systems

penta cross (K90)  
penta (K84)  
quattro plus (K85)  
gemini plus (K87)

##### - Dealer systems

expert cross (K89)  
expert plus (K83)  
expert (K56)  
expert (S) (K56)  
matrix plus (K86, Twincode)  
matrix (K59)  
eco (K82)

##### - Legacy systems





# Key Switch Cylinders

K.SZM\_M19X1 | Key Switch Cylinder, with switch element, M19x1

penta (K57)  
quattro plus (K58)  
quattro S (K52)  
quattro 1.1 (K51)  
quattro 1.0 (K50S)  
gemini plus (K81)  
gemini T (K54)  
gemini S (K53)  
gemini (K50)  
No system (K00)

## Surface cylinder

Nickel-plated (NI)  
Chrome, satin (CRM)  
Chrome-plated (CR)  
Brass, dull (MS)  
Antique (ALTB)

## Surface insert side A

The insert surface corresponds to the cylinder surface as standard.

Brass, dull (INS-MS)  
Brass, untreated (INS-MSR)

## Key removal

1 × 90 LI RE  
1 × 90°  
2 × 180° (2x180)  
1 × 90° Impuls

## Switching element

One microswitch  
Two microswitches

## Construction time function

Construction time function - double life (BAZ)

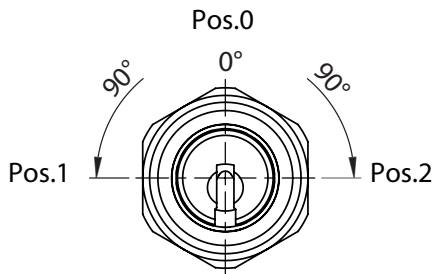
## Tumbler pins

Pins rust-free (ZH\_RF)

# Key Switch Cylinder with Switch Element K.SZM\_M19x1

## Switch Functions

### 1 key retraction at 0°, key turn 90° left and right, 2 switches

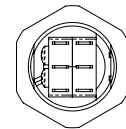


Order code: .../1x90-L-R/...

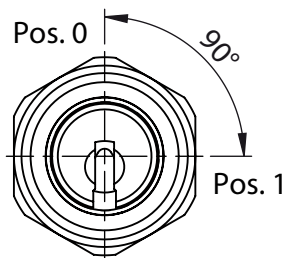
Pos. 0 = Switch 1 u. 2 off

Pos. 1 = Switch 1 off / Switch 2 on

Pos. 2 = Switch 2 off / Switch 1 on



### 1 key retraction at 0°, key turn 90° to the right, 1 switch or 2 switches



Order code: .../1x90/1MS/...

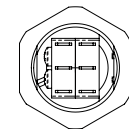
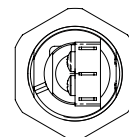
Pos. 1 = Switch on

Pos. 0 = Switch off

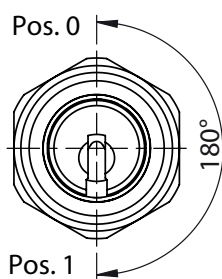
Order code: .../1x90/2MS/...

Pos. 0 = Switch 1 off / Switch 2 on

Pos. 1 = Switch 2 off / Switch 1 on



### 2 key retractions at 0° and 180°, key turn 180° to the right, 1 switch or 2 switches



Order code: .../2x180/1MS/...

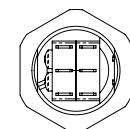
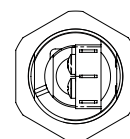
Pos. 0 = Switch off

Pos. 1 = Switch on

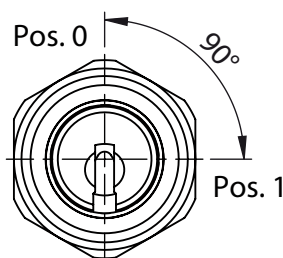
Order code: .../2x180/2MS/...

Pos. 0 = Switch 1 off / Switch 2 on

Pos. 1 = Switch 2 off / Switch 1 on



### Impulse, key turn 90° to the right, 1 key retraction at 0°, 1 switch or 2 switches



Order code: .../1x90-I/1MS/...

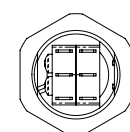
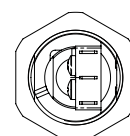
Pos. 1 = Switch on

Pos. 0 = Switch off

Order code: .../1x90-I/2MS/...

Pos. 0 = Switch 1 off / Switch 2 on

Pos. 1 = Switch 2 off / Switch 1 on



# Elevator Cylinders

## K.AFZ\_13544-V2 | Elevator Control Cylinder, without switch element

### Application

Suitable for Kone-Sowitsch elevators

On/Off button, one retraction position, can be rotated 360°

### Specification

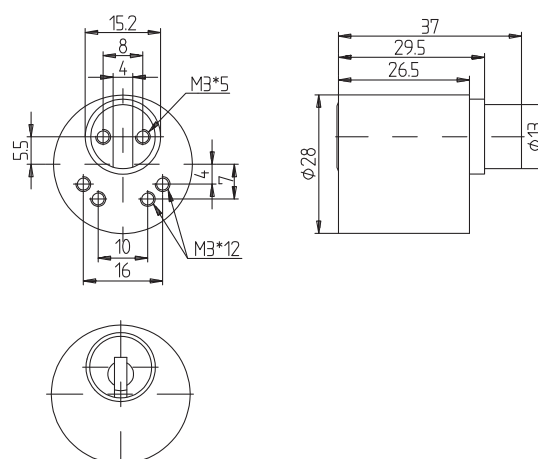
- Housing made from solid natural brass, surface nickel-plated
- Reversible key made from nickel silver

### Included with the cylinder

- Two ea. reversible keys, specify key type (details in chapter 'Keys with Systems and Clips')
- Security card for ownership registration and ordering duplicate keys
- Installation and maintenance instructions

### Order example

penta (K84)/AFZ/13544-V2/... cylinder options



### Cylinder options as follows:

#### Technical system

##### - Factory systems

penta (K84)

quattro plus (K85)

gemini plus (K87)

##### - Dealer systems

expert plus (K83)

expert (K56)

eco (K82)

matrix (K59)

##### - Legacy systems

penta (K57)

quattro plus (K58)

quattro S (K52)

quattro 1.1 (K51)

quattro 1.0 (K50S)

gemini plus (K81)

gemini T (K54)

gemini S (K53)

gemini (K50)

expert (S) (K56)

### Surface cylinder

Nickel-plated (NI)

# Elevator Cylinders

K.AFZ\_13544-V2 | Elevator Control Cylinder, without switch element

**Surface insert side A**

Nickel-plated (INS-NI)

Brass, dull (INS-MS)

Brass, untreated (INS-MSR)

**Construction time function**

Construction time function - double life (BAZ)

Construction time function - triple life (BAZ3)

**Dust cover**

Insert dust protection cap 2004 side A (2004-A)

**Tumbler pins**

Pins rust-free (ZH\_RF)

# Elevator Cylinders

## K.AFZ\_EDP50/2/OS | Elevator Control Cylinder, without switch element

### Application

Suitable for Schindler elevators

On/Off button, one retraction position, can be rotated 360°.

Cam movement 90° right

### Specification

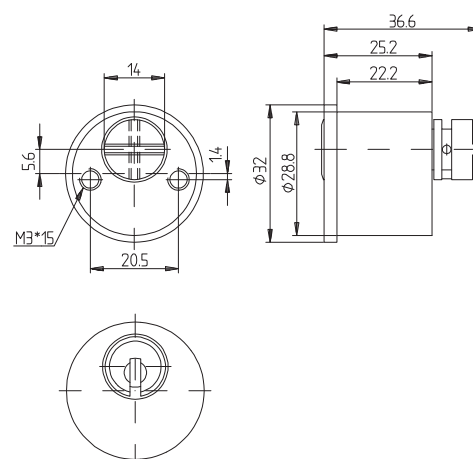
- Housing made from solid natural brass, surface nickel-plated
- Reversible key made from nickel silver

### Included with the cylinder

- Two ea. reversible keys, specify key type (details in chapter 'Keys with Systems and Clips')
- Security card for ownership registration and ordering duplicate keys
- Installation and maintenance instructions

### Order example

penta (K84)/AFZ/EDP50/2/OS/... cylinder options



### Cylinder options as follows:

#### Technical system

##### - Factory systems

penta (K84)

quattro plus (K85)

gemini plus (K87)

##### - Dealer systems

expert plus (K83)

expert (K56)

eco (K82)

matrix (K59)

##### - Legacy systems

penta (K57)

quattro plus (K58)

quattro S (K52)

quattro 1.1 (K51)

quattro 1.0 (K50S)

gemini plus (K81)

gemini T (K54)

gemini S (K53)

gemini (K50)

expert (S) (K56)

#### Surface cylinder

Nickel-plated (NI)

# Elevator Cylinders

K.AFZ\_EDP50/2/OS | Elevator Control Cylinder, without switch element

**Surface insert side A**

Nickel-plated (INS-NI)

Brass, dull (INS-MS)

**Construction time function**

Construction time function - double life (BAZ)

Construction time function - triple life (BAZ3)

**Dust cover**

Insert dust protection cap 2004 side A (2004-A)

**Tumbler pins**

Pins rust-free (ZH\_RF)

# Elevator Cylinders

## K.AFZ\_KO431A1 | Elevator Control Cylinder, without Switch Element

### Application

Suitable for Kone-Sowitsch elevators

On/Off button, one retraction position, can be rotated 360°

### Specification

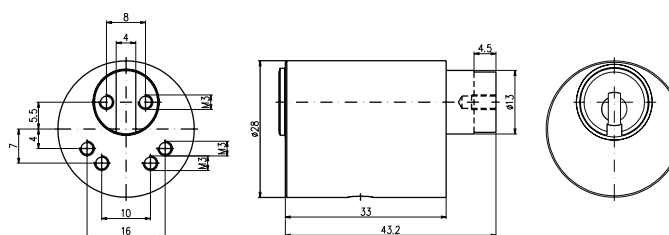
- Housing made from solid natural brass, surface nickel-plated
- Reversible key made from nickel silver

### Included with the cylinder

- Two ea. reversible keys, specify key type (details in chapter 'Keys with Systems and Clips')
- Security card for ownership registration and ordering duplicate keys
- Installation and maintenance instructions

### Order example

penta (K84)/AFZ/KO431A1/... cylinder options



### Cylinder options as follows:

#### Technical system

##### - Factory systems

penta (K84)

quattro plus (K85)

gemini plus (K87)

##### - Dealer systems

expert plus (K83)

expert (K56)

eco (K82)

matrix (K59)

##### - Legacy systems

penta (K57)

quattro plus (K58)

quattro S (K52)

quattro 1.1 (K51)

quattro 1.0 (K50S)

gemini plus (K81)

gemini T (K54)

gemini S (K53)

gemini (K50)

expert (S) (K56)

### Surface cylinder

Nickel-plated (NI)

# Elevator Cylinders

K.AFZ\_KO431A1 | Elevator Control Cylinder, without Switch Element

**Surface insert side A**

Nickel-plated (INS-NI)

Brass, dull (INS-MS)

Brass, untreated (INS-MSR)

**Construction time function**

Construction time function - double life (BAZ)

Construction time function - triple life (BAZ3)

**Dust cover**

Insert dust protection cap 2004 side A (2004-A)

**Tumbler pins**

Pins rust-free (ZH\_RF)





# Bible Cylinders

## K.BILBE\_AK967 | Bible Cylinder for Meroni UFO Lock

### Application

Bible cylinder for Meroni UFO lock

### Specification

- Cylinder housing brass, dull
- Insert made of brass, nickel-plated
- Insert with anti-drilling protection plate
- Reversible key made from nickel silver

### Included with the cylinder

- Two reversible keys (see 'Special functions and keys' for key options)
- Security card for ownership registration and ordering duplicate keys
- Installation and maintenance instructions

### Order example

expert plus (K83)/BIBLE/AK967/... cylinder options

### Cylinder options as follows:

#### Technical system

##### - Factory systems

geminus plus (K87)

##### - Dealer systems

expert cross (K89)

expert plus (K83)

expert (K56)

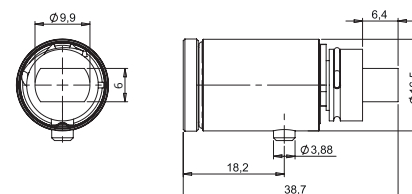
##### - Legacy systems

geminus plus (K81)

### Construction time function

Construction time function - double life (BAZ)

Construction time function - triple life (BAZ3)



# Bible Cylinders

## K.BIBLE\_AK996 | Bible Cylinder for Meroni UFO3 Lock

### Application

Bible cylinder for Meroni UFO3 lock

### Specification

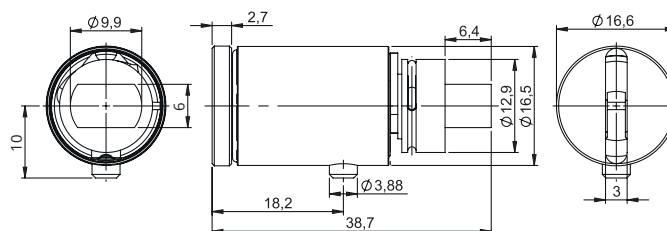
- Cylinder housing brass, dull
- Insert brass, dull
- Insert with anti-drilling protection plate
- Reversible key made from nickel silver

### Included with the cylinder

- Two reversible keys (see 'Special functions and keys' for key options)
- Security card for ownership registration and ordering duplicate keys
- Installation and maintenance instructions

### Order example

expert plus (K83)/BIBLE/AK996/... cylinder options



### Cylinder options as follows:

#### Technical system

##### - Factory systems

geminus plus (K87)

##### - Dealer systems

expert cross (K89)

expert plus (K83)

expert (K56)

##### - Legacy systems

geminus plus (K81)

### Construction time function

Construction time function - double life (BAZ)

Construction time function - triple life (BAZ3)

# Olive Cylinders

## K.OL\_3413 | Round Olive with Grip Recess

### Application

Recessed, lockable olive knob cylinder

### Specification

- Olive, die-cast zinc, sand-blasted, nickel-plated surface finish
- Cylinder type 1008c nickel-plated
- Spindle 7 mm square, 35 mm or 45 mm from the rosette
- Closing direction right

### Included with the cylinder

- Two ea. reversible keys, specify key type (details in chapter 'Keys with Systems and Clips')
- Security card for ownership registration and ordering duplicate keys
- Installation and maintenance instructions

### Order example

penta (K84)/OL/3413/... cylinder options

### Cylinder options as follows:

#### Technical system

##### - Factory systems

penta (K84)  
quattro plus (K85)  
gemini plus (K87)

##### - Dealer systems

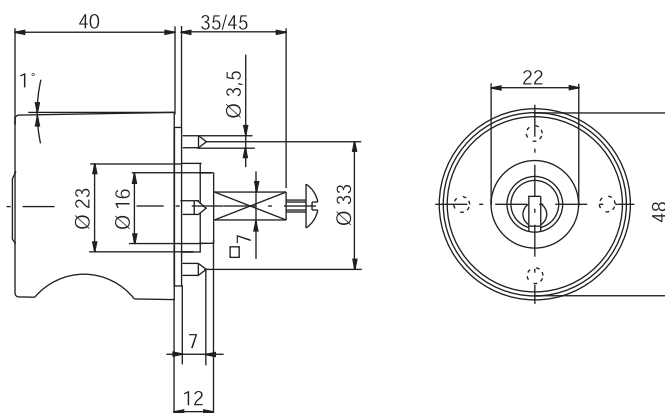
expert plus (K83)  
expert (K56)  
eco (K82)  
matrix (K59)

##### - Legacy systems

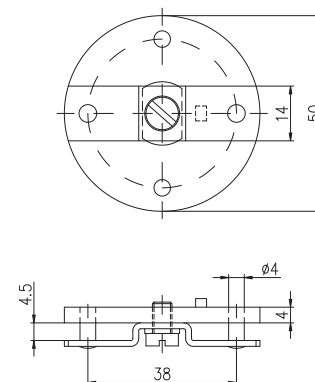
penta (K57)  
quattro plus (K58)  
quattro S (K52)  
quattro 1.1 (K51)  
quattro 1.0 (K50S)  
gemini plus (K81)  
gemini T (K54)  
gemini S (K53)  
gemini (K50)  
expert (S) (K56)

### Locking direction

Left (L)



2-point-cam 3465



# Olive Cylinders

K.OL\_3413 | Round Olive with Grip Recess

**Length of pin**

35

45

**Surface insert side A**

Nickel-plated (INS-NI)

Brass, dull (INS-MS)

Nickel-plated chemically (INS-NIC)

Brass, polished (INS-MP)

**Dust cover**

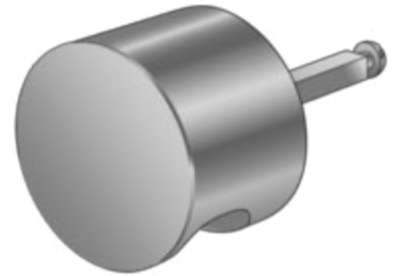
Insert dust protection cap 2004 side A (2004-A)

**Tumbler pins**

Pins rust-free (ZH\_RF)

**Accessory olives**

Two-point cam 3465 (SV\_3465)



Blind olive 3413

# Push Cylinders

K.DRZ\_1064 | Push Cylinder, diameter 22 mm

## Application

Push cylinder for sliding metal doors and central locks  
Closing without key, opening with key

## Specification

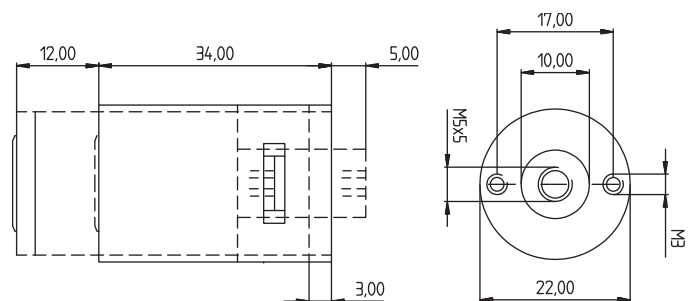
- Housing supplied in solid natural brass with nickel plating
- M5 female threads for standard machine screws
- Closing direction right
- Reversible key made from nickel silver

## Included with the cylinder

- Two ea. reversible keys, specify key type (details in chapter 'Keys with Systems and Clips')
- Security card for ownership registration and ordering duplicate keys
- Installation and maintenance instructions

## Order example

penta (K84)/DRZ/1064/NI/... cylinder options



## Cylinder options as follows:

### Technical system

#### - Factory systems

penta cross (K90)  
penta (K84)  
quattro plus (K85)  
gemini plus (K87)

#### - Dealer systems

expert cross (K89)  
expert plus (K83)  
expert (K56)  
eco (K82)  
matrix plus (K86, Twincode)  
matrix (K59)  
entro (K91, Twincode)

#### - Legacy systems

penta (K57)  
quattro plus (K58)  
quattro S (K52)  
quattro 1.1 (K51)  
quattro 1.0 (K50S)  
gemini plus (K81)  
gemini T (K54)  
gemini S (K53)  
gemini (K50)  
expert (S) (K56)

# Push Cylinders

K.DRZ\_1064 | Push Cylinder, diameter 22 mm

**System type**

Pre-assembled undrilled (VOUG)

Without insert (no\_INS)

**Surface cylinder**

Nickel-plated (NI)

Bronzed (BD)

Antique (ALTB)

**Surface insert side A**

The insert surface corresponds to the cylinder surface as standard.

Brass, dull (INS-MS)

**Construction time function**

Construction time function - double life (BAZ)

Construction time function - triple life (BAZ3)

**Dust cover**

Insert dust protection cap 2004 side A (2004-A)

**Tumbler pins**

Pins rust-free (ZH\_RF)

# Push Cylinders

## K.DRZ\_75-4-020 | Push Cylinder

### Application

Push cylinder for sliding metal doors and central locks  
Closing and opening with key

### Specification

- Housing supplied in solid natural brass with nickel plating
- Reversible key made from nickel silver
- Stroke 10 mm
- Trimmed flange on the outer sleeve
- M5 threads on the rotor end
- 2 × M2.3 threads on the positions of the push cylinder 1064s
- Two drilling protection pins on the front before the tumbler pin sides

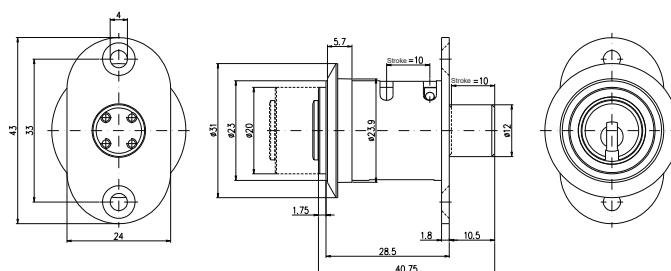
### Included with the cylinder

- Two ea. reversible keys, specify key type (details in chapter 'Keys with Systems and Clips')
- Security card for ownership registration and ordering duplicate keys
- Installation and maintenance instructions

### Order example

penta (K84)/DRZ/75-4-020/NI/... cylinder options

### Cylinder options as follows:





# Push Cylinders

## K.DRZ\_75-4-020 | Push Cylinder

### Technical system

#### - Factory systems

penta cross (K90)  
penta (K84)  
quattro plus (K85)  
gemini plus (K87)

#### - Dealer systems

expert cross (K89)  
expert plus (K83)  
expert (K56)  
eco (K82)  
matrix plus (K86, Twincode)  
matrix (K59)

#### - Legacy systems

penta (K57)  
quattro plus (K58)  
quattro S (K52)  
quattro 1.1 (K51)  
quattro 1.0 (K50S)  
gemini plus (K81)  
gemini T (K54)  
gemini S (K53)  
gemini (K50)  
expert (S) (K56)

### System type

Pre-assembled undrilled (VOUG)  
Without insert (no\_INS)

### Locking direction

Right (R)  
Left (L)

### Surface cylinder

Nickel-plated (NI)  
Brass, dull (MS)  
Nickel-plated chemically (NIC)  
Chrome-plated (CR)  
Chrome, polished (CRP)  
Brass, polished (MP)  
Bronzed light (BH)  
Bronzed medium (BM)  
Bronzed (BD)  
Blackened (GSW)  
Antique (ALTB)

### Surface insert side A

The insert surface corresponds to the cylinder surface as standard.

### Cams

Ohne Riegel (O\_CAM)  
Cam 81-4-029/2 Hali/B. (81-4-029\_2)  
Cam 81-4-029/2,5 Svoboda (81-4-029\_2.5)

### Drilling and pulling protection side A

Anti-drill protec. insert

### Construction time function

Construction time function - double life (BAZ)  
Construction time function - triple life (BAZ3)

### Dust cover

Insert dust protection cap 2004 side A (2004-A)

### Tumbler pins

Pins rust-free (ZH\_RF)

### Type

AK246  
AK634 (special coupling)  
AK719 (ext. coupling)

### Cyl. marking extra

Cylinder special marking AK919 (AK919)

### Rosette

With ros. 75-4-020-11 784026

# Glass Door Lock Cylinders

K.GTS\_80-4-040 | Glass Door Cylinder 1031/1061

## Specification

- Housing supplied in solid natural brass with nickel plating
- Reversible key made from nickel silver
- With cylinder type BMZ 1031
- Cam type 1061-6ZK zinc-coated steel
- Lock plate type A6/CO anodised aluminium
- Fixing sleeve nut type 80-4-038, nickel-plated brass

## Included with the cylinder

- Two reversible keys (see 'Special functions and keys' for key options)
- Security card for ownership registration and ordering duplicate keys
- Installation and maintenance instructions

## Order example

expert plus (K83)/GTS/80-4-040/... cylinder options

## Cylinder options as follows:

### Technical system

#### - Factory systems

penta (K84)  
quattro plus (K85)  
gemini plus (K87)

#### - Dealer systems

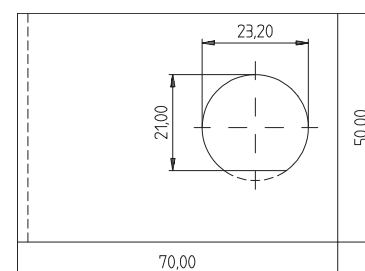
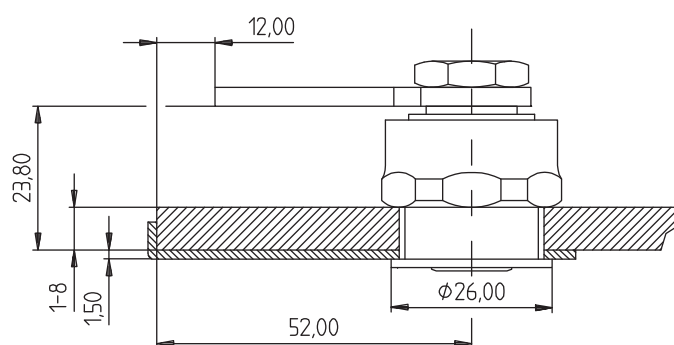
expert plus (K83)  
expert (K56)  
eco (K82)  
matrix (K59)

#### - Legacy systems

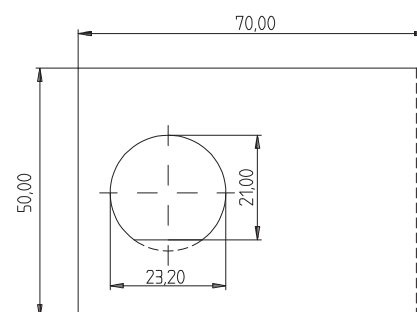
penta (K57)  
quattro plus (K58)  
quattro S (K52)  
quattro 1.1 (K51)  
quattro 1.0 (K50S)  
gemini plus (K81)  
gemini S (K53)  
gemini (K50)  
expert (S) (K56)

## Surface cylinder

Nickel-plated (NI)  
Brass, dull (MS)  
Chrome-plated (CR)  
Chrome, satin (CRM)  
Chrome, polished (CRP)  
Brass, polished (MP)  
Bronzed medium (BM)



For right side doors



For left-hand doors

# Glass Door Lock Cylinders

K.GTS\_80-4-040 | Glass Door Cylinder 1031/1061

## Surface insert side A

The insert surface corresponds to the cylinder surface as standard.

## Cams

Cam 1061-6U2, A = 5 mm, B = 50 mm (1061-6U2)

Cam 1061-6V2, A = 8 mm, B = 50 mm (1061-6V2)

Cam 1061-96U2, A = 5 mm, B = 50 mm (1061-96U2)

Detailed description, see type BMZ1031/1061

## Cam position

Right

Left

Top

Bottom

## Construction time function

Construction time function - double life (BAZ)

Construction time function - triple life (BAZ3)

## Tumbler pins

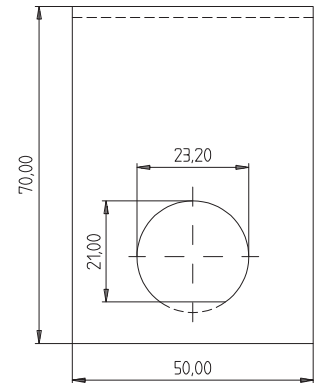
Pins rust-free (ZH\_RF)

## Type

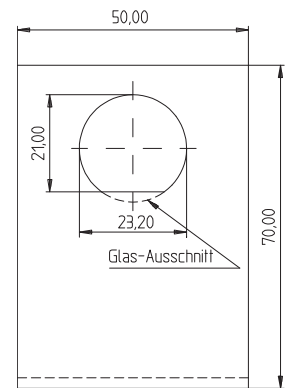
Cylinder type BMZ 1061 (BMZ1061)

## Cylinder fastening screw

Without cylinder fastening screw (no\_BS)



For downward locked doors



For upward locked doors



# Glass Door Lock Cylinders

K.GTS\_75-4-020 | Push Cylinder for Glass Doors

**Surface cylinder**

Nickel-plated (NI)

Brass, dull (MS)

**Surface insert side A**

The insert surface corresponds to the cylinder surface as standard.

**Cams**

Cam 81-4-029/2 Hali/B. (81-4-029\_2)

Cam 81-4-029/2,5 Svoboda (81-4-029\_2.5)

**Tumbler pins**

Pins rust-free (ZH\_RF)

# Central Drawer Lock Cylinders

## K.ZVZ\_XIII | Central Lock Cylinder XIII

### Application

Lock cylinder for furniture locks which lock all desk and cabinet drawers

### Specification

- Housing supplied in solid natural brass with nickel plating
- Reversible key made from nickel silver
- Cam rotation 180°, key rotation 360°
- Zinc-plated steel mounting plate
- Plastic cam for pin length 8 mm
- Brass cam for pin length 15 mm and above

### Included with the cylinder

- Two reversible keys (see 'Special functions and keys' for key options)
- Security card for ownership registration and ordering duplicate keys
- Installation and maintenance instructions

### Order example

expert plus (K83)/ZVZ/XIII/NI/... cylinder options

### Cylinder options as follows:

#### Technical system

##### - Factory systems

penta (K84)  
quattro plus (K85)  
gemini plus (K87)

##### - Dealer systems

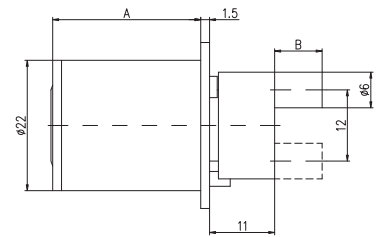
expert plus (K83)  
expert (K56)  
eco (K82)  
matrix plus (K86, Twincode)  
matrix (K59)

##### - Legacy systems

penta (K57)  
quattro plus (K58)  
quattro S (K52)  
quattro 1.1 (K51)  
quattro 1.0 (K50S)  
gemini plus (K81)  
gemini T (K54)  
gemini S (K53)  
gemini (K50)  
expert (S) (K56)

### Length of furniture cylinders (mm)

25,0



# Central Drawer Lock Cylinders

## K.ZVZ\_XIII | Central Lock Cylinder XIII

### **Surface cylinder**

Nickel-plated (NI)  
Brass, dull (MS)  
Chrome, polished (CRP)  
Bronzed medium (BM)

### **Surface insert side A**

The insert surface corresponds to the cylinder surface as standard.

### **Cam**

With cam XIII.15 (XIII-15)  
With cam XIII.40 (XIII-40)  
With cam XIII.8.BENE (XIII-8)

### **Construction time function**

Construction time function - double life (BAZ)  
Construction time function - triple life (BAZ3)

### **Dust cover**

Insert dust protection cap 2004 side A (2004-A)

### **Tumbler pins**

Pins rust-free (ZH\_RF)

### **Cyl. marking extra**

Cylinder special marking AK919 (AK919)

# Window Handles

## K.FG\_3463 | Window Handle, lockable

### Application

Universal handle with lock cylinder for tilt and turn windows, balcony doors, cabinet locks, etc.  
For right and left windows/doors. The two connecting screws are concealed by the handle in the vertical setting.

### Specification

- Window handle, die-cast zinc, dull, nickel-plated
- Cylinder type 1008c nickel-plated
- Spindle 7 mm square, 30 mm long, optional 40 mm long
- Reversible key made from nickel silver

### Included with the cylinder

- Two ea. reversible keys, specify key type (details in chapter 'Keys with Systems and Clips')
- Security card for ownership registration and ordering duplicate keys
- Installation and maintenance instructions

### Order example

expert plus (K83)/FG/3463/... cylinder options



### Cylinder options as follows:

#### Technical system

##### - Factory systems

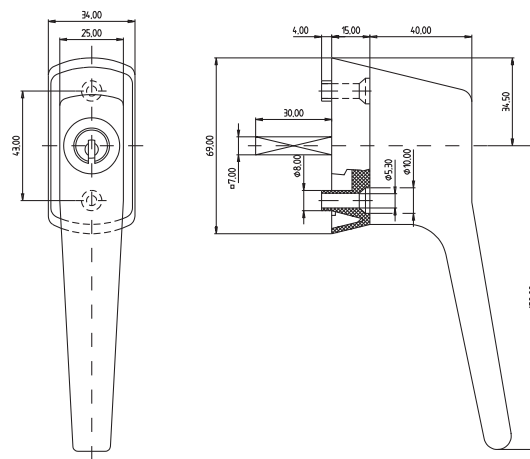
penta (K84)  
quattro plus (K85)  
gemini plus (K87)

##### - Dealer systems

expert plus (K83)  
expert (K56)  
eco (K82)  
matrix plus (K86, Twincode)  
matrix (K59)

##### - Legacy systems

penta (K57)  
quattro plus (K58)  
quattro S (K52)  
quattro 1.1 (K51)  
quattro 1.0 (K50S)  
gemini plus (K81)  
gemini T (K54)  
gemini S (K53)  
gemini (K50)  
expert (S) (K56)





# Window Handles

K.FG\_3463 | Window Handle, lockable

**Locking direction**

Right (R)

Left (L)

**Length of pin**

35

40

**Surface insert side A**

Nickel-plated (INS-NI)

Brass, dull (INS-MS)

**Dust cover**

Insert dust protection cap 2004 side A (2004-A)

**Tumbler pins**

Pins rust-free (ZH\_RF)

# Key Cabinets

## K.SK | Key Cabinet

### Application

Key storage cabinet for up to 300 keys. Hook rack is steplessly adjustable with sequential numbering for over 150 hooks with hinged walls.

### Specification

- Cabinet case and door made of sheet steel
- Hook rack freely adjustable, sequential numbering
- From 150 hooks with pivoting intermediate panels
- Camlock cylinder BMZ.1090 made of solid natural brass with nickel plating
- Reversible key made from nickel silver

### Included with the cylinder

- Two reversible keys (see 'Special functions and keys' for key options)
- Security card for ownership registration and ordering duplicate keys
- Installation and maintenance instructions

### Order example

penta (K84)/SK/50HAK/... cylinder options

### Cylinder options as follows:

#### Technical system

##### - Factory systems

penta (K84)  
quattro plus (K85)  
gemini plus (K87)

##### - Dealer systems

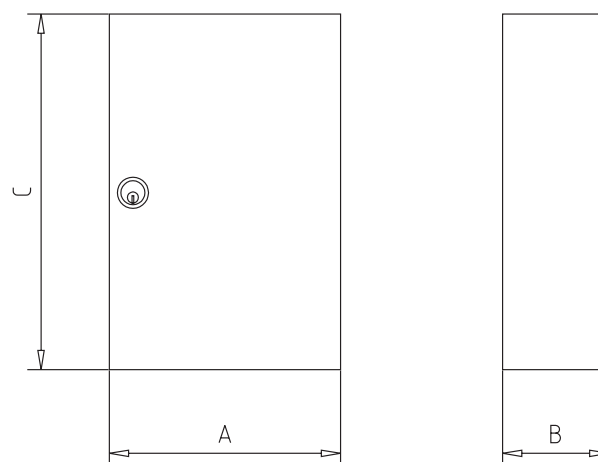
expert plus (K83)  
expert (K56)  
eco (K82)  
matrix plus (K86, Twincode)  
matrix (K59)

##### - Legacy systems

penta (K57)  
quattro plus (K58)  
quattro S (K52)  
quattro 1.1 (K51)  
quattro 1.0 (K50S)  
gemini plus (K81)  
gemini T (K54)  
gemini S (K53)  
gemini (K50)  
expert (S) (K56)



Key cabinet with 100 hooks



# Key Cabinets

## K.SK | Key Cabinet

### Hooks

50 hooks (50HAK)

100 hooks (100HAK)

150 hooks (150HAK)

200 hooks (200HAK)

250 hooks (250HAK)

300 hooks (300HAK)

### Surface insert side A

Brass, untreated (INS-MSR)

### Construction time function

Construction time function - double life (BAZ)

Construction time function - triple life (BAZ3)

Construction time function is only available for limited technical systems. See chapter 'Special functions'.

### Dust cover

Insert dust protection cap 2004 side A (2004-A)

# Key Cabinets

## K.NSK | Emergency Key Cabinet

### Application

Metal cabinet for secure storage of emergency keys

### Specification

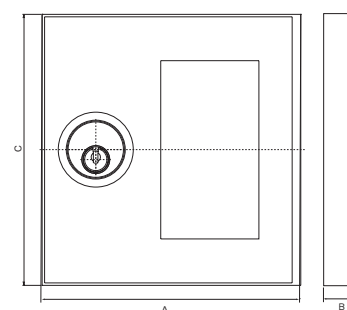
- Case and door made of sheet metal, bright red
- Glass pane exchangeable
- Option: hammer on a chain to break glass pane
- Camlock cylinder BMZ.1090 made of solid natural brass with nickel plating
- Reversible key made from nickel silver

### Included with the cylinder

- Two ea. reversible keys, specify key type (details in chapter 'Keys with Systems and Clips')
- Security card for ownership registration and ordering duplicate keys
- Installation and maintenance instructions

### Order example

expert plus (K83)/NSK/... cylinder options



### Cylinder options as follows:

#### Technical system

##### - Factory systems

penta (K84)  
quattro plus (K85)  
gemini plus (K87)

##### - Dealer systems

expert plus (K83)  
expert (K56)  
eco (K82)  
matrix (K59)

##### - Legacy systems

penta (K57)  
quattro plus (K58)  
quattro S (K52)  
quattro 1.1 (K51)  
quattro 1.0 (K50S)  
gemini plus (K81)  
gemini T (K54)  
gemini S (K53)  
gemini (K50)  
expert (S) (K56)

### Surface insert side A

Brass, untreated (INS-MSR)

# Key Cabinets

## K.NSK | Emergency Key Cabinet

### **Surface NSK**

RAL 9010 pure white

### **Construction time function**

Construction time function - double life (BAZ)

Construction time function - triple life (BAZ3)

Construction time function is only available for limited technical systems. See chapter 'Special functions'.

### **Dust cover**

Insert dust protection cap 2004 side A (2004-A)

### **Type**

No glass (no\_GL)

With hammer (w\_HA)

# Key Deposits

## K.SD | Key Deposit

### Application

For controlled key issue in industry, offices and hotels  
The secured key can only be removed after the user's key has been deposited.

It stays in the deposit until the borrowed key has been returned.

This system can also be used in office buildings to separate the outer and inner zones, to reduce the risk if a key is lost.

In hotels, the key deposit is used to issue keys at night without any administration burden.

In combination with the master key plan, a key deposit system will solve this problem in a secure and simple manner.

The key to the front door can be removed by the guest as soon as the room key is inserted and turned in the deposit. The room key remains secured and can only be removed by the key to the front door, which is then again securely deposited.

If more than four cylinder pairs are ordered, several deposits are installed next to each other.

If ten cylinder pairs are ordered, three deposits with three cylinder pairs each and one deposit with one cylinder pair are installed.

Per key pair ordered, one key must be ordered and physically sent with the order or the requested keying must be specified.

Special tools are required for installing the cylinders and cabinets. Article no. 2011421226 (3POINT-SCREWDRIVER/M4)

### Order example

K/SYS/SD/1 Paar = key deposit without system/one key pair

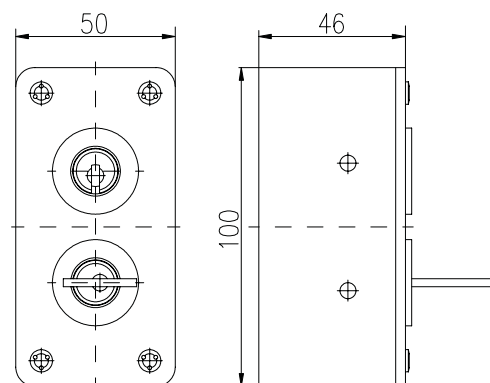
### Cylinder options as follows:

#### Deposit box

- Key depot 1 pair
- Key depot 2 pairs
- Key depot 3 pairs

#### Deposit 1590

- 1 vacant
- 2 vacant
- 3 vacant



# Key Deposits

K.DSR\_92-4-131 | Key Deposit Tube, screw in

## Application

Secure storage of master or emergency keys in a closed tube, easy to retract with a holding fixture for the key. Suitable for vertical installation.

## Specification

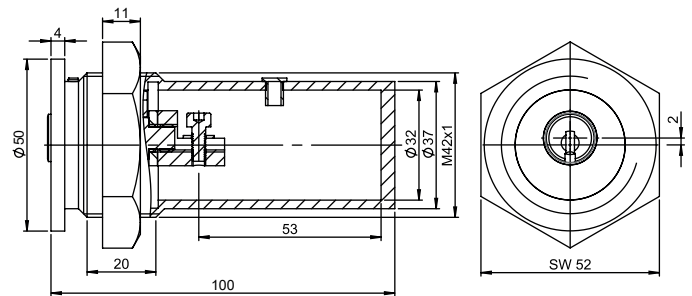
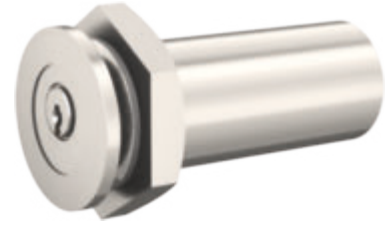
- Housing supplied in solid natural brass, nickel-plated
- Reversible key made from nickel silver
- 52 mm hex for screwing in

## Included with the cylinder

- Two ea. reversible keys, specify key type (details in chapter 'Keys with Systems and Clips')
- Security card for ownership registration and ordering duplicate keys
- Installation and maintenance instructions

## Order example

expert plus (K83)/DSR/92-4-131/... cylinder options



## Cylinder options as follows:

### Technical system

#### - Factory systems

penta cross (K90)  
 penta (K84)  
 quattro plus (K85)  
 gemini plus (K87)

#### - Dealer systems

expert cross (K89)  
 expert plus (K83)  
 expert (K56)  
 eco (K82)  
 expert (S) (K56)  
 matrix (K59)

#### - Legacy systems

penta (K57)  
 quattro plus (K58)  
 quattro S (K52)  
 quattro 1.1 (K51)  
 quattro 1.0 (K50S)  
 gemini plus (K81)  
 gemini T (K54)  
 gemini S (K53)  
 gemini (K50)

## Surface insert side A

Brass, dull (INS-MS)

# Key Deposits

K.DSR\_92-4-131 | Key Deposit Tube, screw in

**Dust cover**

Insert dust protection cap 2004 side A (2004-A)



# Key Deposits

## K.DSR\_95-4-117 | Key Deposit Tube, for cards

### Application

DSR.95-4-117 – secure storage of master media in card form in a closed tube  
Installation by cementing in the wall

### Specification

- Housing supplied in solid natural brass, nickel-plated
- Reversible key made from nickel silver

### Included with the cylinder

- Two ea. reversible keys, specify key type (details in chapter 'Keys with Systems and Clips')
- Security card for ownership registration and ordering duplicate keys
- Installation and maintenance instructions

### Order example

penta (K84)/DSR/95-4-117/... cylinder options

### Cylinder options as follows:

#### Technical system

##### - Factory systems

penta cross (K90)  
penta (K84)  
quattro plus (K85)  
gemini plus (K87)

##### - Dealer systems

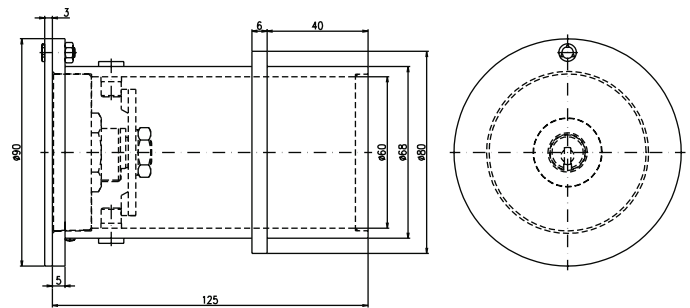
expert cross (K89)  
expert plus (K83)  
expert (K56)  
expert (S) (K56)  
eco (K82)  
matrix (K59)

##### - Legacy systems

penta (K57)  
quattro plus (K58)  
quattro S (K52)  
quattro 1.1 (K51)  
quattro 1.0 (K50S)  
gemini plus (K81)  
gemini T (K54)  
gemini S (K53)  
gemini (K50)

### Surface insert side A

Brass, dull (INS-MS)  
Brass, untreated (INS-MSR)



# Key Deposits

## K.DSR\_95-4-130 | Key Deposit Tube, cementing in wall

### Application

Secure storage of master or emergency keys in a closed tube, easy to retract with a holding fixture for the key. Suitable for vertical installation.

### Specification

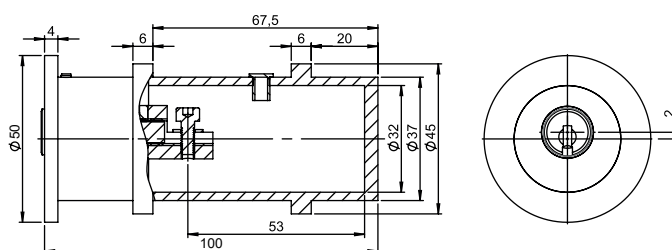
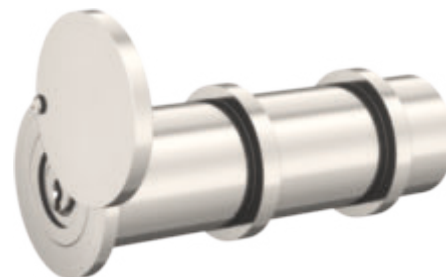
- Housing supplied in solid natural brass, nickel-plated
- Reversible key made from nickel silver

### Included with the cylinder

- Two ea. reversible keys, specify key type (details in chapter 'Keys with Systems and Clips')
- Security card for ownership registration and ordering duplicate keys
- Installation and maintenance instructions

### Order example

penta (K84)/DSR/95-4-130/... cylinder options



### Cylinder options as follows:

#### Technical system

##### - Factory systems

penta cross (K90)  
penta (K84)  
quattro plus (K85)  
gemini plus (K87)

##### - Dealer systems

expert cross (K89)  
expert plus (K83)  
expert (K56)  
expert (S) (K56)  
eco (K82)  
matrix (K59)

##### - Legacy systems

penta (K57)  
quattro plus (K58)  
quattro S (K52)  
quattro 1.1 (K51)  
quattro 1.0 (K50S)  
gemini plus (K81)  
gemini T (K54)  
gemini S (K53)  
gemini (K50)

### Surface insert side A

Brass, dull (INS-MS)

# Key Deposits

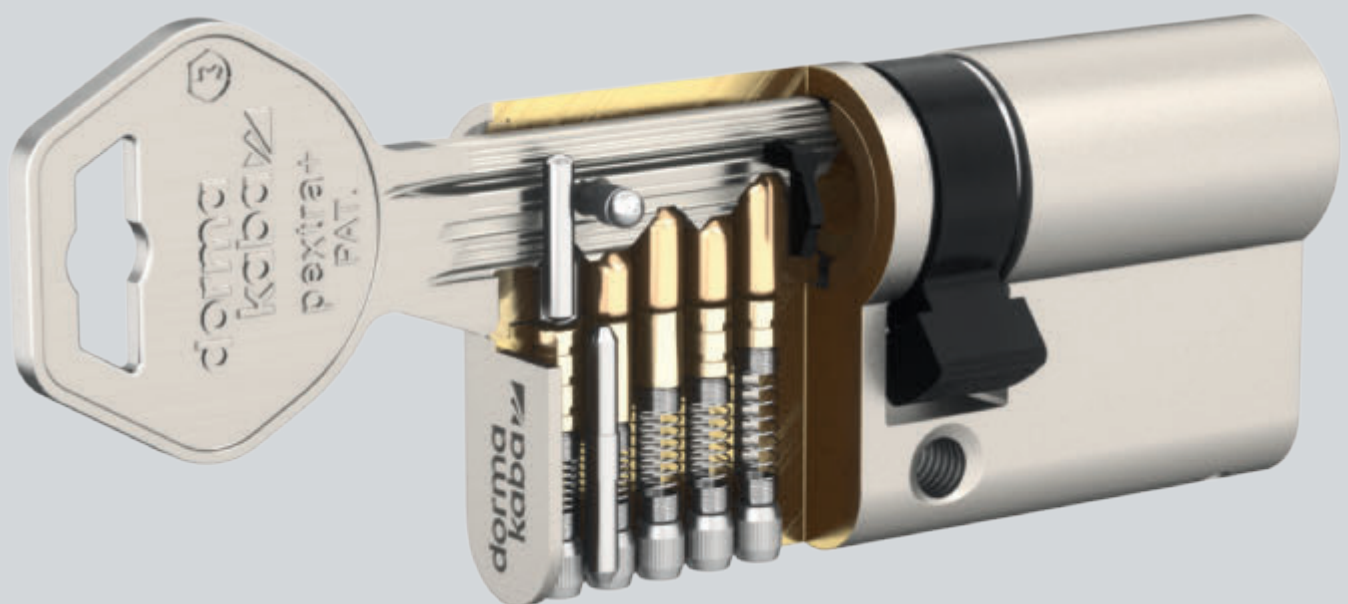
K.DSR\_95-4-130 | Key Deposit Tube, cementing in wall

**Dust cover**

Insert dust protection cap 2004 side A (2004-A)

# Mechanical Serrated Key EU-Systems

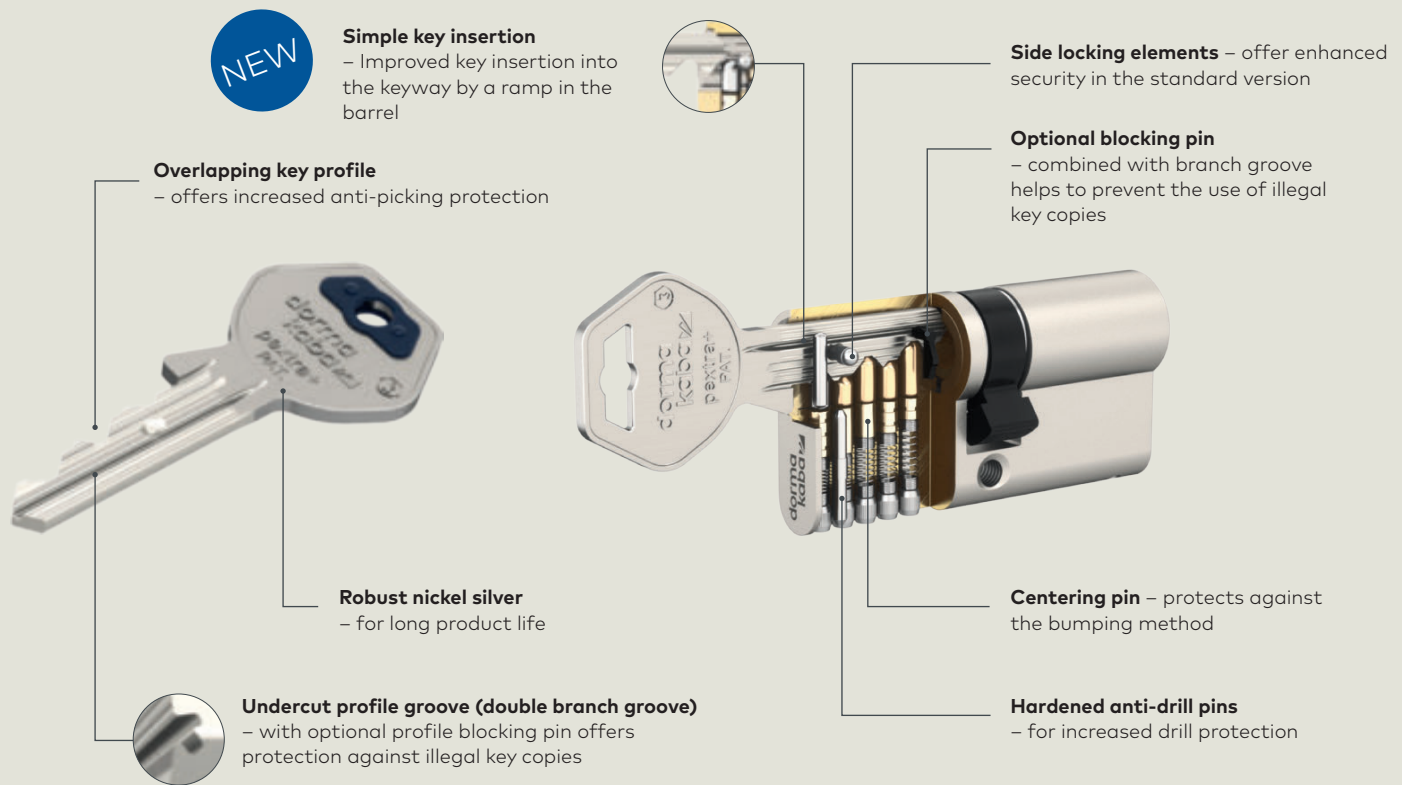
Serrated Key EU-Systems





# Introduction

The main site for the production of dormakaba serrated key systems is in Herzogenburg, Austria. Finished cylinders and keys are manufactured either directly in the factory or by authorised dealers. The product range consists of factory made profiles and dealer profiles. Whilst cylinders and keys with factory made profiles are manufactured in our factories, keys with dealer profiles can also be finalized directly with authorised dealers.



# Serrated Key System pextra+

## System pextra+ (System Code PXP)

- With and without blocking pin
- Patent EP 2686510 valid until 2032
- Figurative mark double branch groove  
Registration No. 01801215



## System pextra (System Code PX)

- With and without blocking pin
- Patent No. EP1362153 valid until 2022
- Figurative mark branch groove  
Registration No. 004896817



## Function

The dormakaba serrated key system pextra+ (successor of the system pextra) is the mechanical premium key system in the serrated key range. It can be used in a wide range from serial cylinders up to sophisticated master key systems with maximum security requirements. Key security of the pextra+ system is significantly increased by a profile manufactured in a special milling process. In combination with blocking pin, manipulation is even more difficult.

## Key Codes

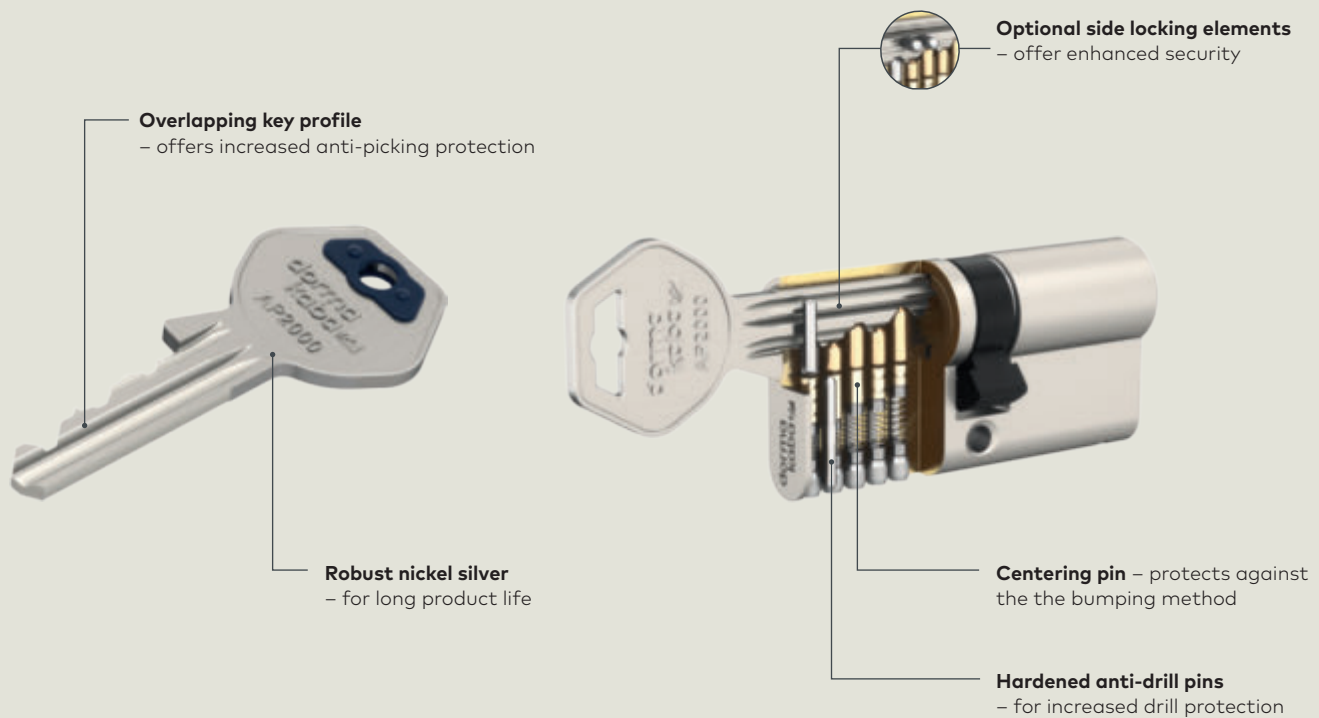
By using keys numbered in the factory and code tables, it is possible to manufacture key copies quickly and without corresponding sample keys.

## Security Features

- EN 1303/DIN 18252 Key Related Security Grade 5 for cylinders with 5 pins and grade 6 for cylinders with 5 pins with optional blocking pin as well as for cylinders with 6 and 7 pins
- EN1303/DIN18252 Attack Resistance Grade D with appropriate security door hardware or with steel reinforcement in the housing or with SBS sacrificial cut
- VdS A and VdS AZ with 5 pins, VdS B and VdS BZ with 6 pins
- Centering pin against manipulated opening with the bumping method
- Overlapping key profile and undercut profile groove (branch groove) offer protection against impressing
- The patented double-branch groove cannot be copied with standard milling machines
- The optional active probe (blocking) pin prevents the key from being fully turned in both directions when the branch groove is not present or was manipulated
- Enhanced security in the standard version with side locking elements
- Protection against impressing by specially formed housing tumbler pins
- Suitable for use in fire and smoke resistant doors

## Standard Configuration

- Key with standard bow in nickel silver
- 5, 6 or 7 vertically arranged tumbler pin pairs
- Side locking elements
- Minimum one centering pin against the bumping method
- Hardened anti-drilling pins in barrel and housing
- Hardened barrel and housing pin



# Serrated Key System AP2000

## System AP2000 (System Code AP2)

### Function

The dormakaba serrated key system AP 2000 is a proven and flexible cylinder system which is protected against impressioning by overlapping profiles, precision machined bores and specially formed tumbler pins. Drilling protection is provided by additional security elements made of steel in the core and housing as well as hardened tumbler pins in part. The system is suitable for serial cylinders and master key systems. All dormakaba master key systems are calculated and thoroughly checked with computer support. A wide range of different profiles combined with 5, 6 or 7 spring-held tumbler pair pins, are available. This allows master key systems to be executed safely.

### Key Codes

By using keys numbered in the factory and code tables, it is possible to manufacture key copies quickly and without corresponding sample keys.

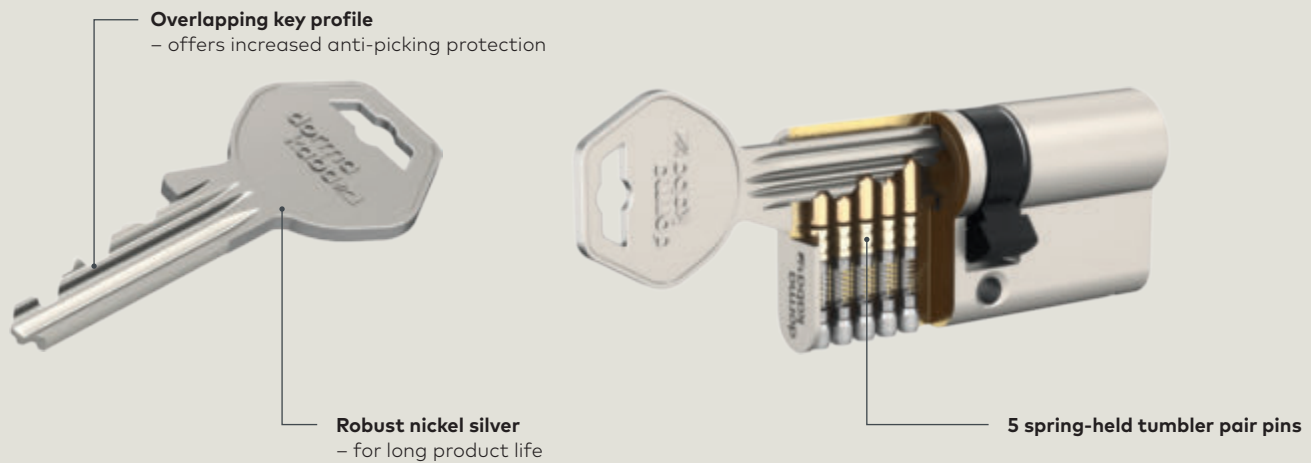
### Security Features

- Meets EN 1303 Key Related Security Grade 4-6 (according to the number of pins) and Attack Resistance Grades B/C
- Meets EN1303 Attack Resistance Grade D with appropriate security door hardware or with steel reinforcement in the housing or with SBS sacrificial cut
- Centering pin against manipulated opening by the bumping method
- Protection against impressioning by specially formed housing tumbler pins
- Optional security elements for even greater protection
- Suitable for use in fire and smoke resistant doors

### Standard Configuration

- Key with standard bow in nickel silver
- 5, 6 or 7 vertically arranged tumbler pin pairs
- Side locking elements
- Hardened anti-drilling pins in barrel and housing
- Hardened barrel and housing pin





# Serrated Key System ESP

## System ESP (System Code ESP)

### Function

The dormakaba serrated key system ESP is a standard system based on the system AP2000 in a medium security grade. The system is available with 5 or 6 pins. Serial cylinder or small master key systems are available.

### Key Codes

Due to the keys being numbered in the factory, code tables can be used to produce duplicate keys rapidly and without corresponding sample keys.

### Security Features

- Protection against impressioning by specially formed housing tumbler pins
- Suitable for use in fire and smoke resistant doors

## Standard Configuration

- Key with standard bow in nickel silver
- 5 or 6 tumbler pin pairs



# Serrated Key System AP1000

## System AP1000 (System Code P001)

The Gege cylinder series AP1000 is a 5 pin cylinder system in medium security grade.

### Function

The dormakaba serrated key system AP1000 is a 5 pin cylinder system in medium security grade. Over 45,000 different keyings are possible with the standard profile P001.

### Key Codes

Due to the keys being numbered in the factory, code tables can be used to produce duplicate keys rapidly and without corresponding sample keys.

### Security Features

- Protection against impressing by specially formed housing tumbler pins
- Suitable for use in fire and smoke resistant doors

### Standard Configuration

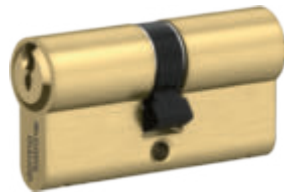
- key with round bow, nickel plated
- 5 vertically arranged tumbler pin pairs

# Cylinder Surface Finishes

## Standard Surface Finishes



NI  
Nickel plated



MS  
Brass natural

## Special Surface Finishes



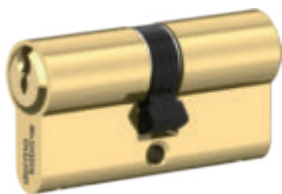
CRM  
Chrome plated dull



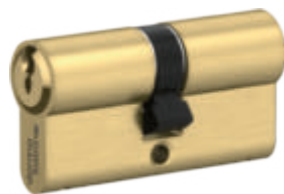
CRP  
Chrome plated polished



CR  
Chrome plated



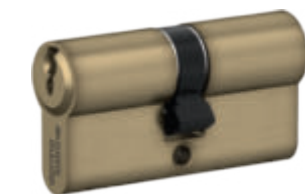
MP  
Brass polished



MB  
Brass brushed



BH  
Bronzed hell



BM  
Bronzed medium



BD  
Bronzed dark

# Cylinder Care and Maintenance

## Use

dormakaba locking cylinders are extremely robust and durable. Nevertheless, it is necessary to take care of a dormakaba cylinder so that it will function without problems for as long as possible.

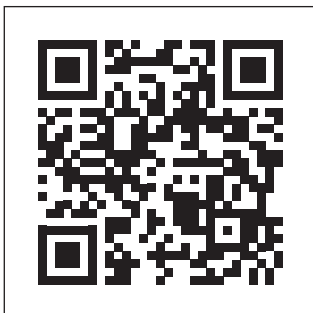
Please be sure that:

- the key is not bent or damaged
- the door is never opened by pulling on the key bow
- no leverage force is applied to the key
- no foreign objects are ever inserted in the cylinder

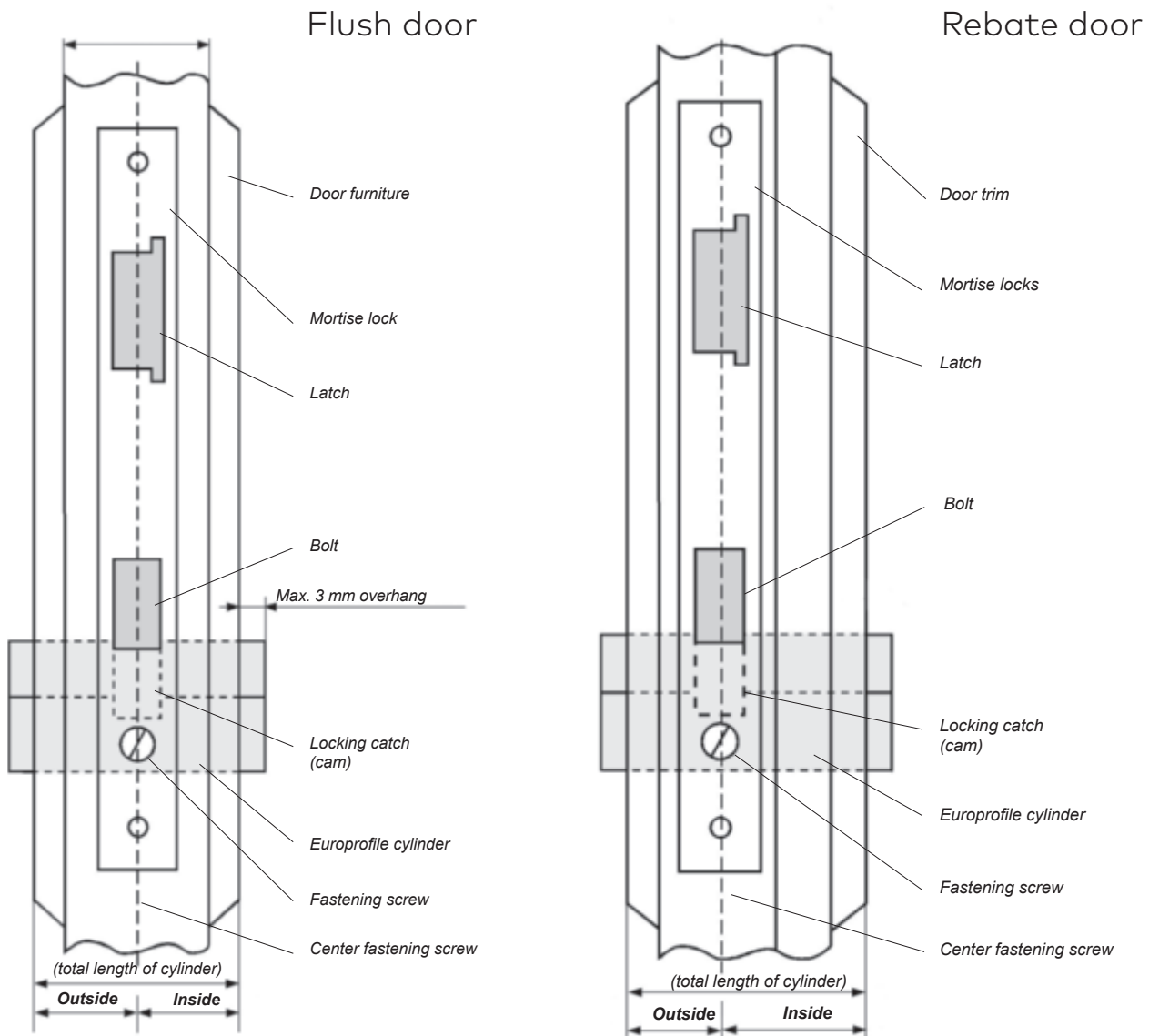
### **dormakaba Cleaner for preventative maintenance and care**

The cans are available in sizes 13/60/200 ml. The two smaller cleaners are pump sprays and are free from propellant gas. All sizes offer extremely economical dosing.

You can find more information about using the cleaner here:



# Determining the Cylinder Length



When determining the required cylinder length, the thickness of the door furniture and/or rosette being used must always be added to the door leaf thickness.

The required cylinder length is determined after inserting the mortise lock:

1. Outside = distance from cylinder fastening screw to the outside (including door furniture)
2. Inside = distance from cylinder fastening screw to the inside (including door furniture)
3. Select the next larger dimension (in 5 mm steps) from the dormakaba cylinder list.

# Order Instructions

Please note the following information regarding the order codes for our products. The codes are mostly self-explanatory. All order information about a product is contained in a generic code configured in the manner.

Cylinder options are shown as a feature. Every feature consists of a long and short text. The long text describes the options in prose. The short text is an acronym of the long text.

As follows the features are always described with the long text including the short text in parentheses, e.g. „nickel plated (NI)“ or „double key override cylinder (BSZ)“. The short text allows the order code to shown compact. All features are separated by a slash „/“. The order of the short texts is dictated by sequence of the options in the cylinder types.

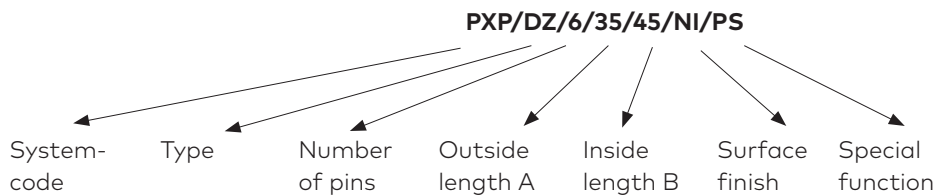
As a standard each order code begins with the features: technical system/cylinder/type/... options

Exceptions:

- A „type“ is certain design of a cylinder. Cylinders without types do not have this feature.

## Order code example for a lock cylinder with two additional functions:

Double cylinder in the system pextra+ (PXP), 6 pins, outside length 35 mm (side A), inside length 45 mm (side B), cylinder surface finish nickel plated, personnel key



**The first length specified is always the outside of the cylinder !**

# Short Texts – Cylinder Types and Special Functions

## Cylinder Types

<b>DZ</b>	Double cylinder
<b>UDZ</b>	Union double cylinder
<b>DKZ</b>	Thumbturn cylinder
<b>UDKZ</b>	Union thumbturn cylinder
<b>HZ</b>	Single cylinder
<b>UHZ</b>	Union single cylinder
<b>OHZ</b>	Oval single cylinder
<b>WCZ</b>	WC cylinder
<b>BDZ</b>	Blind double cylinder
<b>BHZ</b>	Blind single cylinder
<b>BOHZ</b>	Blind oval single cylinder
<b>VHZ</b>	Padlock
<b>AZ</b>	Outside rim cylinder
<b>IZ</b>	Inside rim cylinder
<b>AFZ</b>	Elevator control cylinder
<b>BMZ</b>	Camlock cylinder
<b>ZSL</b>	Key
<b>FG</b>	Window handle
<b>GTS</b>	Glass door cylinder
<b>MZ</b>	Furniture cylinder
<b>MAS</b>	Furniture lock
<b>MES</b>	Espagnolette lock
<b>OL</b>	Olives
<b>RZ</b>	Round cylinder
<b>ROS</b>	Rosette
<b>SD</b>	Key deposit
<b>SK</b>	Key cabinet

## Special Functions – see chapter „Special Functions“ for detailed description and order instructions

<b>AS</b>	Pulling protection
<b>BAZ</b>	Construction time function
<b>BL</b>	Blind on one cylinder side
<b>BSZ</b>	Double key override
<b>FL</b>	Relative cam movement
<b>FZG</b>	Freewheel cam for gear operated or panic locks
<b>GF</b>	Emergency key function
<b>HG</b>	Hotel room occupancy indicator
<b>KM</b>	KiteMark certification
<b>LAM</b>	Steel reinforcement plate
<b>PS</b>	Restricted access option
<b>SAT</b>	Secure Access Temporary
<b>SE</b>	Side locking elements
<b>SBS</b>	Sacrificial break slot
<b>SKG</b>	Stichting Kwaliteit Gevelbouw - Certification Netherland
<b>SWF</b>	Seawater resistant
<b>SSW</b>	Dust and splash protection
<b>SUZ</b>	Self-changable cylinder
<b>VDS</b>	Certification by German Test Institute „VdS“
<b>VK</b>	Wear-resistant barrel
<b>ZR</b>	Cogwheel cam

# Combination Options – Special Functions

The following table provides an overview of the special functions available, their possible combinations with each other and the availability of the cylinder types.

Types of lock cylinder	Order code	Other special functions; "x" = combinable options																
		BAZ	BSZ	FL	FZG	GF	PS	SUZ	VK	SSW	SWF	AS	SBS	LAM	VDSA	VDSAZ	VDSB	VDSBZ
Double cylinder	DZ	x	x		x	x	x	x	x	x	x	x	x	x	x	x	x	x
Single cylinder	HZ	x		x	x			x	x	x	x	x	x		x	x	x	x
Thumbturn cylinder	DKZ	x			x			x	x	x	x	x	x	x				

Special function	Order code	Other special functions, "x" = combinable options																
Construction time function	BAZ		x	x	x	x	x		x	x	x	x	x	x				
Double key override	BSZ	x						x	x	x		x	x	x	x	x	x	x
Relative cam movement	FL	x						x	x	x	x	x		x	x	x	x	
Freewheel cam for gear operated or panic locks	FZG	x						x	x	x	x	x	x					
Emergency key function	GF	x						x	x	x		x	x	x				
Restricted access option	PS	x						x	x	x	x	x	x					
Self-changable cylinder	SUZ		x	x	x	x	x		x	x	x	x	x					
Wear-resistant barrel	VK	x	x	x	x	x	x	x		x	x	x	x	x	x	x	x	
Dust and splash protection	SSW	x	x	x	x	x	x	x			x	x	x					
Seawater resistant	SWF	x		x	x		x	x				x						
Pulling protection	AS	x	x	x	x	x	x	x	x									
Sacrificial break slot	SBS	x	x	x	x	x	x	x	x	x			x					
Steel reinforcement plate	LAM	x	x		x	x	x	x	x			x						
VdS certified: Class A anti-drill protection	VDSA		x	x				x										
VdS certified: Class AZ pulling and anti-drill protection	VDSAZ		x	x				x										
VdS certified: Class B anti-drill protection	VDSB		x	x				x										
VdS certified: Class BZ pulling and anti-drill protection	VDSBZ		x	x				x										



# Important Product Information

## General Notes

Please note the following information about mechanical and mechatronic lock cylinders. dormakaba Austria GmbH will not be held liable for any damage resulting from failure to adhere to this information.

## 1. Product information and use according to the intended purpose

A lock cylinder is in the sense of this definition a component, that in general can be installed exchangeably in door locks, door furniture, apparatuses or doors prepared here for or in other related product types. Other lock cylinder styles (e.g. switch locks) shall be handled accordingly. The proper operation of cylinders is performed with their respective keys.

1.1 Lock cylinders can then be installed without reserve in locks, door furniture, apparatuses, etc. if they have been expressly arranged for the respective lock cylinder. In other cases the manufacturer, dealer, installer or user of such locks, door furniture, apparatuses, etc. must themselves be sure for himself that the selected lock cylinder is suitable for application. Mandatory legal regulations must also be adhered to (e.g. emergency exits, elevators).

1.2 Lock cylinders, that may be subject to force, may not protrude more than 3 mm above the door furniture. The degree of burglary resistant measures is according to the demands required.

1.3 The installation of lock cylinders must be executed in such a manner, that when the key has been properly removed from the cylinder that no external force can be transferred to the cam or in the turning direction of the locking bar.

1.4 For humid or refrigerated rooms, outside use, use in marine environments or for use environs with aggressive, corrosion agents, the lock cylinders must be specified in the appropriate special configuration. The same applies for lock cylinders that are heavily exposed to dust. In such cases weather caps or protective rosettes shall be used. Electronic or mechatronic products may only be used in such environments in consent with the manufacturer.

1.5 Usually a double cylinder with two locking sides can not be operated if a key has been inserted into the other side of the lock cylinder. If this should be possible, select a lock cylinder with the respective function (BSZ ... Double Key Override).

1.6 For correct use of the key, apply force to key only when it has been completely inserted into the keyway and has reached the stop.

1.7 Lock cylinders and keys form a functional unit. We can only hold our liability for our original products only.

1.8. Replacement keys for lock cylinders must be checked for correct function in the respective lock cylinder immediately upon receipt. Mechatronical access media must be programmed for its intended functions.

## 2. Misuse

Misuse - incorrect product use of lock cylinders/access systems or keys/media occurs if:

2.1 tools such as nails, pliers, or others are used on the key bow to increase torque.

2.2 the key is used as a lever handle to open a door. The key is not suited for use in place of door furniture (knob, lever handle, rigid handle, etc.)

2.3 the lock cylinder is operated with falsified, bent, damaged or badly worn keys.

2.4 it has been attempted to unlock the cylinder with picking tools, other objects or unauthorised duplicate keys.

2.5 if foreign objects are found in the keyway or on the key itself or if the maintenance guidelines have not been followed.

## 3. Product performance

Product performance is stated in our catalogues, brochures and product descriptions. The life cycle (security and function) of a lock cylinder is about 10-15 years, depending on the application frequency of use. The cylinders are tested to 100,000 locking cycles minimum. This corresponds to approximately 15-18 locking cycles per day during 15 years. It is possible that a lock cylinder can become defective after a short period of time if it is not operated and maintained properly. The life cycle of mechatronical/digital locks and access systems are specified in the respective technical documentation. Lock cylinders and keys/access media must be replaced, especially if the key cannot be freely inserted and retracted, in spite of correct maintenance.

#### **4. Preventive maintenance**

Lock cylinders should be treated according to the requirements, but at least twice a year using our recommended cleaning agent (dormakaba Cleaner). Additionally, a function control should be carried out. Principally lock cylinders may never be treated with resigned substances (e.g. oil).

#### **5. Information and instructions**

The following documents contain information and instruction obligations and services available for licensees, locksmiths, architects, planners, advisory institutions, contractors or consumers:

- Catalogues, brochures
- Master key plans
- Instructions for installation and operation and maintenance
- Training documentation for a selection of lock cylinders (after training completion)

5.1 for architects, planners and advisory institutions, all required production information must be requested from us and adhered to.

5.2 for locksmith partners, licensees and contractors all product information shall be followed and required operation and maintenance instructions shall be requested from us and passed on to subcontractors and/or users.

5.3 dormakaba reserves the right to change or supplement the above mentioned information at any time.

# Keys with Systems and Clips

## G.ZSL.ER | Serrated Key with Cornered Bow

### Application

Standard serrated key for serial keyed cylinders and master key systems

### Specification

- All keys are made from nickel silver, giving them resistance to wear for an extremely long life.
- The CNC-controlled milling process ensures highest accuracy in profile grooves.
- Available for 5-, 6- and 7-pin cylinders, with or without bores for side locking elements
- For organisation and better recognition, the standard key can be equipped with coloured clips. These are available as accessories. See key accessories for details.
- Miniclips in different colours can be snapped into the key ring hole.
- Plastic clips in different colours can be snapped over the entire key bow. See 'Key accessories' for details.

### Order example

PXP/ZSL/5/ER/NS/SE/... key options

### Options as follows:

#### Technical system

##### - Premier systems

pextra plus (PXP)

pextra (PX)

pextra3 (PX3)

AP2000 (AP2)

AP2000 (SYST)

ESP (ESP)

AP2pro (AP2pro)

Profile 1 (P001)

##### - Legacy systems

ANS2000 (ANS2)

ANS3000 (ANS3)

ANS4000 (ANS4)

CNS2000 (CNS2)

HKS2000 (HKS2)

HKS4000 (HKS4)

AP3000 (AP3)

AP4000 (AP4)

### System type

Standard

Replacement key (NB)

Key blank (SR)



Standard key



Key with miniclip



Key with plastic clip

# Keys with Systems and Clips

## G.ZSL.ER | Serrated Key with Cornered Bow

### Number of pins

Five pins (5)

Six pins (6)

Seven pins (7)

### Bow form

Angular bow (ER)

### Surface finish key

Nickel-plated (NI)

Nickel-plated chemically (NIC)

Nickel silver (NS)

### Locking function A

Self-changable cylinder (SUZ)

Self-changable cylinder one-time (SUZ1)

Construction time function (BAZ)

### Locking element

Side element (SE)

Four side elements (4SE)

### Key hierarchy

Main group key (HGS)

Single key (ES)

### Key profile group










Single profile

Profile group with six

Profile group with 18

# Keys with Systems and Clips

## Serrated Key Clips

Bestellcode	Beschreibung	Bild	Maßzeichnung
	<p>Miniclips can be use with all key systems with corner bow. A packing unit contains 100 parts (enough for 50 keys). Miniclips can be attached without tools and are available from dealers only. Miniclips are available in five colours.</p> <p><b>Attention:</b> the clip can only be attached once, as it becomes unfunctional when removed.</p>		
G/CLIP/MINI/ DUNKELBLAU 2011665823	<b>Colour:</b> dark blue		
G/CLIP/MINI/ DUNKELGRÜN 2011665825	<b>Colour:</b> dark green		
G/CLIP/MINI/ DUNKELROT 2011665824	<b>Colour:</b> dark red		
G/CLIP/MINI/ HELLBLAU 2011665821	<b>Colour:</b> light blue		
G/CLIP/MINI/ SCHWARZ 2011665826	<b>Colour:</b> black		
	<p>Plastic key caps are available for all serrated key systems with corner bow. The caps are available in 11 colours. For organisation and storage</p>		
G/CLIP/ZSL/ DUNKELGRÜN 2011616692	<b>Colour:</b> dark green		
G/CLIP/ZSL/ DUNKELROT 2011616690	<b>Colour:</b> dark red		
G/CLIP/ZSL/ DUNKELVIOLETT 2011616694	<b>Colour:</b> dark purple		

# Keys with Systems and Clips

## Serrated Key Clips

Bestellcode	Beschreibung	Bild	Maßzeichnung
G/CLIP/ZSL/ FLUORESZIEREND 2011616695	<b>Colour:</b> fluorescent		
G/CLIP/ZSL/ HELLBLAU 2011616687	<b>Colour:</b> light blue		
G/CLIP/ZSL/ HELLGELB 2011616688	<b>Colour:</b> light yellow		
P/ZSL/HELLGRÜN ##!##Translation missing!	Translation missing!		
G/CLIP/ZSL/HELLROT 2011616685	<b>Colour:</b> light red		
G/CLIP/ZSL/ HELLVIOLETT 2011616693	<b>Colour:</b> light purple		
G/CLIP/ZSL/ KABA-BLAU 2011616691	<b>Colour:</b> dark blue		
G/CLIP/ZSL/SCHWARZ 2011616686	<b>Colour:</b> black		
G/CLIP/ZSL/BOX 2011616975	Clip box		

# Keys with Systems and Clips

## G.ZSL.TK | Serrated Key with Trendkey Clip

### Application

The trendkey is a key with a plastic clip which, along with ergonomic handling, offers a modern and attractive appearance.

With the new form, the key is automatically held in the correct position to un/lock doors.

The clip is slid onto a groove on the key for a perfect form fit that keeps the clip firmly in place.

The coding numbers are engraved onto the back side of the key.

The trendkey is available only for mechanical key systems. dormakaba licensees can upgrade their keys with a sticker showing their company logo or name on the front side.



### Specification

- Serrated key made of nickel silver
- Available for 5- or 6-pin cylinders, with or without bores for side locking elements
- Clip material: polyamide 12 with 30% fibreglass reinforcement
- Six colours available

### Order example

PXP/ZSL/5/TK/NS/05-DB/... key options

### Options as follows:

#### Technical system

##### - Premier systems

pextra plus (PXP)

pextra (PX)

pextra3 (PX3)

AP2000 (AP2)

AP2000 (SYST)

ESP (ESP)

AP2pro (AP2pro)

#### System type

Standard

Replacement key (NB)

Key blank (SR)

#### Number of pins

Five pins (5)

Six pins (6)

Seven pins (7)

#### Bow form

Trendkey bow (TK)

# Keys with Systems and Clips

## G.ZSL.TK | Serrated Key with Trendkey Clip

### **Surface finish key**

Nickel-plated chemically (NIC)

Nickel silver (NS)

### **Locking function A**

Self-changable cylinder (SUZ)

Self-changable cylinder one-time (SUZ1)

Construction time function (BAZ)

### **Locking element**

Side element (SE)

Four side elements (4SE)

### **Key hierarchy**

Main group key (HGS)

Single key (ES)

### **Key profile group**

Single profile

Profile group with six

Profile group with 18



# Keys with Systems and Clips

## G.ZSL.TK | Serrated Key with Trendkey Clip

### Clip colour base

Clip code 06 blue



Clip code 07 yellow



Clip code 03 green



Clip code 01 red



Clip code 10 black



Clip code 05 dark blue



# Keys with Systems and Clips

## G.ZSL.MC | Serrated Key with Metal Clip

### Application

The generously dimensioned bow makes it easier to operate lock cylinders with multiple-point door locks or with armoured rosettes.

The metal bow clip is slid on a groove on the key neck for a firm and reliable fit.

The serial number is stamped on the back side of the key.



### Specification

- Serrated key made of nickel silver
- Available for 5- or 6-pin cylinders, with or without bores for side locking elements
- Material: glazed metal
- Standard without coloured ball
- Option: ball in three colours for organisation. The coloured balls can be pressed in by the dealer.

### Order example

PXP/ZSL/5/MC/NS/... key options

### Options as follows:

#### Technical system

##### - Premier systems

pextra plus (PXP)

pextra (PX)

pextra3 (PX3)

AP2000 (SYST)

ESP (ESP)

AP2pro (AP2pro)

##### - Legacy systems

ANS4000 (ANS4)

#### System type

Standard

Replacement key (NB)

Key blank (SR)

#### Number of pins

Five pins (5)

Six pins (6)

#### Bow form

Metal clip (MC)

#### Surface finish key

Nickel-plated chemically (NIC)

Nickel silver (NS)

# Keys with Systems and Clips

## G.ZSL.MC | Serrated Key with Metal Clip

### **Locking function A**

Self-changable cylinder (SUZ)

Self-changable cylinder one-time (SUZ1)

Construction time function (BAZ)

### **Locking element**

Side element (SE)

Four side elements (4SE)

### **Key hierarchy**

Main group key (HGS)

Single key (ES)

### **Key profile group**

Single profile

Profile group with six

Profile group with 18

# Keys with Systems and Clips

## G.ZSL.MC | Serrated Key with Metal Clip

### Metal clip MC col. ball

---

No

---

Metal clip ball, blue



---

Metal clip ball, black



---

Metal clip ball, red



# Keys with Systems and Clips

## G.ZSL.RR | Serrated Key with Round Bow

### Application

Classic key with round bow

### Specification

- Serrated key made of nickel silver or nickel-plated
- Available for 5-, 6- and 7-pin cylinders, with or without bores for side locking elements

### Order example

ESP/ZSL/5/RR/NS/... key options

### Technical system

#### - Premier systems

AP2000 (AP2)  
 AP2000 (SYST)  
 ESP (ESP)  
 AP2pro (AP2pro)  
 APN (APN)  
 Profile 1 (P001)

#### - Legacy systems

ANS2000 (ANS2)  
 AP3000 (AP3)

### System type

Standard  
 Replacement key (NB)  
 Key blank (SR)

### Number of pins

Five pins (5)  
 Six pins (6)  
 Seven pins (7)

### Bow form

Round bow (RR)

### Surface finish key

Nickel-plated (NI)  
 Nickel-plated chemically (NIC)  
 Nickel silver (NS)

### Locking function A

Self-changable cylinder (SUZ)  
 Self-changable cylinder one-time (SUZ1)  
 Construction time function (BAZ)

### Locking element

Side element (SE)  
 Four side elements (4SE)



# Keys with Systems and Clips

G.ZSL.RR | Serrated Key with Round Bow

**Key hierarchy**

Main group key (HGS)

Single key (ES)

**Key profile group**

Single profile

Profile group with six

Profile group with 18

# Keys with Systems and Clips

## G.ZSL\_KP | Key with Small Profile

### Application

For camlock and furniture cylinders with small profiles (KP)

### Specification

- Serrated key made of nickel silver or nickel-plated
- Available for 5- or 6-pin cylinders

### Order example

SYST/ZSL\_KP/4/RR/MS/... key options

### Options as follows:

#### Technical system

AP2000 (SYST)

#### System type

Standard

Replacement key (NB)

Key blank (SR)

#### Number of pins

4

Five pins (5)

#### Bow form

Round bow (RR)

#### Surface finish key

Nickel-plated (NI)

Nickel silver (NS)

#### Key hierarchy

Main group key (HGS)

Single key (ES)



# Keys with Systems and Clips

## G.ZSL GF | Emergency Override Key

### Application

In an emergency or in dangerous situations, doors can be unlocked even if a key is inside. In all other cases, privacy should be guaranteed – for example, for doors in dormitories and assisted living).

### Notes

- The cylinder is specially prepared for emergency key use.
- The emergency key itself must be ordered separately and can be used on both sides of the cylinder.
- Only available for Euro profile double cylinders



### Specification

- Serrated key made of nickel silver
- The cylinder is specially prepared for emergency key use.
- The emergency key itself must be ordered separately.

### Order example

PXP/ZSL/5/GF/NS/... key options

### Options as follows:

#### Technical system

##### - Premier systems

pextra plus (PXP)  
 pextra (PX)  
 pextra3 (PX3)  
 AP2000 (AP2)  
 AP2000 (SYST)  
 ESP (ESP)  
 AP2pro (AP2pro)  
 APN (APN)

##### - Legacy systems

ANS2000 (ANS2)  
 ANS3000 (ANS3)  
 ANS4000 (ANS4)  
 CNS2000 (CNS2)  
 HKS2000 (HKS2)  
 HKS4000 (HKS4)  
 AP3000 (AP3)  
 AP4000 (AP4)

### System type

Standard  
 Replacement key (NB)



# Keys with Systems and Clips

## G.ZSL GF | Emergency Override Key

### Number of pins

Five pins (5)

Six pins (6)

Seven pins (7)

### Bow form

Emergency key (GF)

### Surface finish key

Nickel-plated chemically (NIC)

Nickel silver (NS)

### Locking function A

Self-changable cylinder (SUZ)

Self-changable cylinder one-time (SUZ1)

Construction time function (BAZ)

### Locking element

Side element (SE)

### Key hierarchy

Main group key (HGS)

### Key profile group

Single profile

Profile group with six

Profile group with 18

# Keys with Systems and Clips

## G.ZSL.SK | Serrated Key with RFID Transponder Clip

### Application

Key with RFID transponder clip for electronic access systems

Suitable for buildings with electronic access and mechanical lock cylinders

### Specification

- Serrated key made of nickel silver
- Available for 5-, 6- and 7-pin cylinders, with or without bores for side locking elements
- Plastic key clip with transponder and optional coloured inserts

### Order example

PXP/ZSL/5/SK/NS/... key options

### Options as follows:

#### Technical system

##### - Premier systems

pextra plus (PXP)

pextra (PX)

AP2000 (SYST)

APN (APN)

##### - Legacy systems

ANS2000 (ANS2)

#### System type

Standard

Replacement key (NB)

Key blank (SR)

#### Number of pins

Five pins (5)

Six pins (6)

Seven pins (7)

#### Bow form

Smartkey (SK)

#### Surface finish key

Nickel silver (NS)

#### Locking function A

Self-changable cylinder (SUZ)

Self-changable cylinder one-time (SUZ1)

Construction time function (BAZ)

#### Locking element

Side element (SE)



# Keys with Systems and Clips

G.ZSL.SK | Serrated Key with RFID Transponder Clip

**Key hierarchy**

Main group key (HGS)

Single key (ES)

**Key profile group**

Single profile

Profile group with six

Profile group with 18

# Keys with Systems and Clips

## G.ZSL.SK | Serrated Key with RFID Transponder Clip

### Clip colour base

Yellow green



Light blue



Silver grey



Traffic purple



Traffic red



Zinc yellow



# Special functions

## G.AS | Pulling Protection

### Application

For doors with high security requirements (increased drilling resistance and pulling protection)

### Function

The increased protection against pulling (AS) guarantees protection against attempts to pull cylinders out of the lock case. Higher pulling forces can be absorbed by both the cylinder barrel and the housing.

### Notes

The prerequisite is the use of security door hardware in connection with spacers to compensate for any empty spaces between the anti-pulling pin and the door hardware.

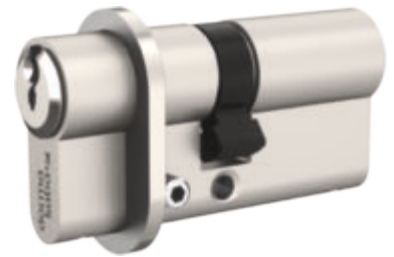
For possible combinations with other special functions see chapter "Combination Options – Special Functions"

### Included with the cylinder

- One ea. 1 mm spacing disc and one ea. 2 mm spacing disc. Additional discs must be ordered separately.

### Order code system

Short text .../AS/... in the order code



# Special functions

## G.BL | Blind on One Cylinder Side

### Application

For all mortise door lock double cylinders and thumbturn cylinders requiring no key on one side of the door

### Function

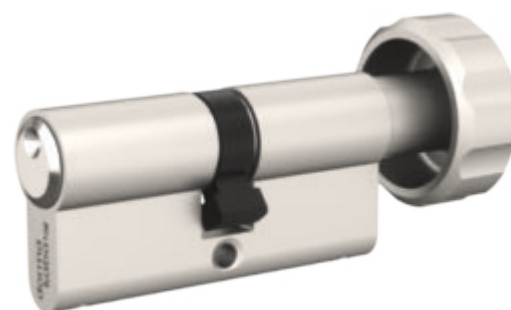
The cylinder is blind on one side.

For possible combinations with other special functions see chapter "Combination Options – Special Functions"

### Order code system

Short text .../BL-A/... in the order code for side A

Short text .../BL-B/... in the order code for side B



# Special functions

## G.BSZ | Double Key Override

### Application

The BSZ function can be used in many applications, such as in apartment buildings, private homes, nursing homes, hospitals and commercial buildings.

### Function

The double key override function enables a door to be opened regardless of whether or not a key is inserted and turned from the other side with an authorised key. The key on the opposite side is turned by the override key. The function is given on both sides of the cylinder.

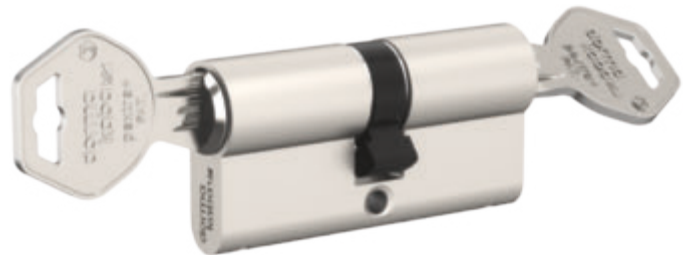
### Notes

The key on the opposite side is also turned. Please note that this can lead to complications if the key that is inserted is attached to a large key ring. The BSZ function is a convenience function, not a security feature.

For possible combinations with other special functions see chapter "Combination Options – Special Functions"

### Order code system

Short text .../BSZ/... in the order code



# Special functions

## G.FL | Relative cam movement

### Application

In the case of cylinders with relative movement, the key can be turned a full 360°, while the cam only moves a relative distance. The relative movement function has many possible configurations. The key and cylinder can thus be used for special switching or contact applications.

### Function

In the case of cylinders with relative movement, the key can be turned a full 360°, while the cam only turns a relative distance. The relative movement function has many possible configurations.

### Notes

- Only available for Euro profile single cylinders

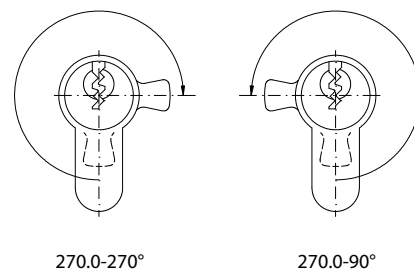
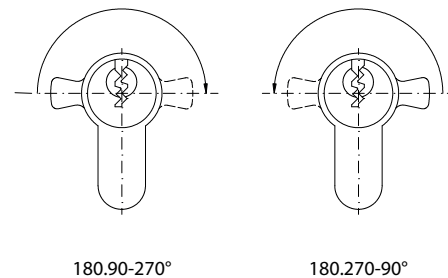
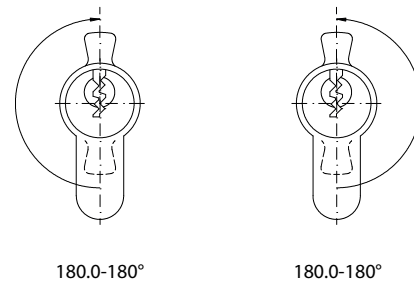
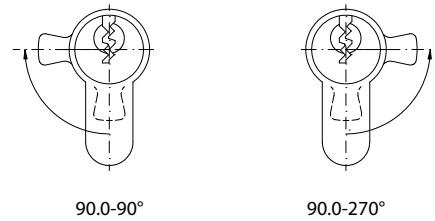
For possible combinations with other special functions see chapter "Combination Options – Special Functions"

### Movement options:

FL45.0-45°  
 FL45.135-180°  
 FL90.0-90°  
 FL90.90-180°  
 FL90.180-270°  
 FL90.270-0°  
 FL180.0-180°  
 FL180.90-270°  
 FL180.180-0°  
 FL180.270-90°  
 FL225.315-180°  
 FL270.0-270°  
 FL270.90-0°  
 FL270.180-90°  
 FL270.225-135°  
 FL270.270-180°

### Order code system

Short text .../FL45.0-45°/... in the order code (The correct angle needs to be chosen.)





# Special functions

## G.FZG | Freewheel Cylinder for Gear-Operated and Panic Locks

### Application

With this function, escape doors can be opened easily and reliably in an emergency.

### Function

When using an anti-panic lock, the FZG version of the locking cylinder ensures that the cam of the cylinder can be turned freely after removing the key – even if pressure is exerted on the cam by pressing the panic bar.

### Notes

- If the cylinder is used with an emergency exit or panic lock according to EN 179 or EN 1125, the manufacturer's certificate of conformity must be recognized.

For possible combinations with other special functions see chapter "Combination Options – Special Functions"

### Order code system

Short text .../FZG/... in the order code

# Special functions

## G.GF | Emergency Key Function

### Application

In an emergency or in dangerous situations, doors can be unlocked even if a key is inside. In all other cases, privacy should be guaranteed – for example, for doors in dormitories and assisted living).

### Function

The function makes it possible to unlock the door from the opposite side when the key is inserted on the other side and turned into a random position. This is only possible with a specially managed and registered emergency key.

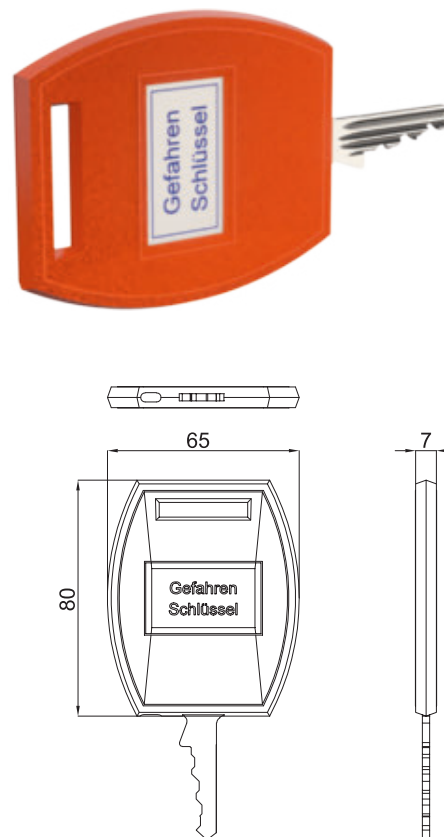
### Notes

- The cylinder is specially prepared for emergency key use.
- The emergency key itself must be ordered separately and can be used on both sides of the cylinder.
- Only available for Euro profile double cylinders

For possible combinations with other special functions see chapter "Combination Options – Special Functions"

### Order code system

Short text .../GF/... in the order code



# Special functions

## G.HG | Hotel Function, Occupied Pin

### Application

The function enables a discreet occupancy indicator on the outside of the cylinder if a key is inserted on the inside (e.g. for hotel room doors).

### Function

When the key is inserted on the inside, a pin on the outside of the cylinder indicates this.

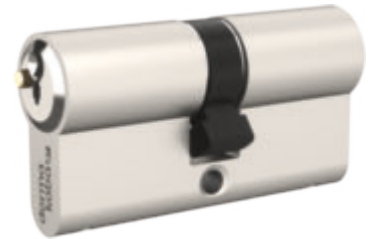
### Notes

- Available only for Euro profile double cylinders
- Only possible on the outside of the cylinder, side A
- No certifications available for this function

For possible combinations with other special functions see chapter "Combination Options – Special Functions"

### Order code system

Short text .../HG/... in the order code



# Special functions

## G.LAM | Steel Reinforcement Plate

### Application

At selected doors, cylinders with the steel pulling protection meet the highest requirements of EN1303 Attack Resistance Grade D.

### Function

The use of a hardened steel plate in the cylinder reinforces the cylinder effectively and ensures significantly increased pulling protection.

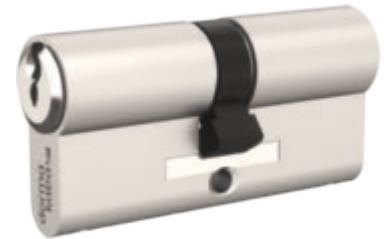
### Notes

- The steel plate is pressed into the housing below the cam recess.
- The cylinder requires a high-tension-resistant fastening screw M5x80 8.8 (ISK)
- Available for double and thumbturn cylinders

For possible combinations with other special functions see chapter "Combination Options – Special Functions"

### Order code system

Short text .../LAM/... in the order code



# Special functions

## G.PS | Restricted Access Option

### Application

With this function access to certain rooms or areas can be granted during the business hours. Outside of the business hours staff should not be able to open the doors.

### Function

The personnel key retracts only the latch of the mortise lock and only opens a door when the lock bolt was previously unlocked. The bolt can only be unlocked and locked with the owner key. The mortise lock must be equipped with the key latch retraction function.

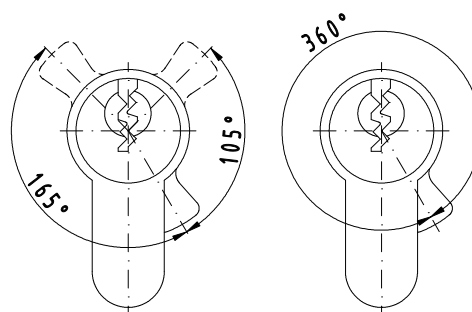
### Notes

- Not available for automatically locking emergency exit locks
- The number of personnel keys must be specified at the time of ordering.
- The PS function can be provided on either side or on both sides of the door.

For possible combinations with other special functions see chapter "Combination Options – Special Functions"

### Order code system

Short text .../PS/... in the order code



# Special functions

## G.SBS | Sacrificial Break Slot

### Application

This function enables increased security against forced entry through doors that cannot be equipped with security door hardware. The highest attack resistance (Grade D) of EN 1303 is fulfilled.

### Function

The cylinder housing is manufactured with a predefined cut so that the cylinder breaks off cleanly between two tumbler pins. The other pins remain in the housing. This means that burglars have no grip surface for burglary tools and that door can still be un/locked with an authorised key.

### Notes

- This option is available for one or both sides of the lock cylinder. The cylinder side (A and/or B) of the SBS cut needs to be provided when ordering.

Cut positions from the end of the cylinder:

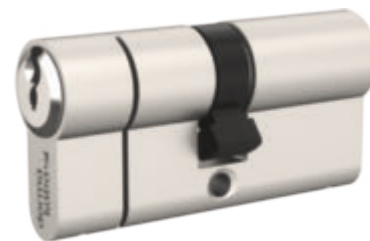
- SBS11 - 11 mm
- SBS14 - 14 mm
- SBS18 - 18 mm

For possible combinations with other special functions see chapter "Combination Options – Special Functions"

### Order code system

Short text .../SBS11-A/... in the order code for side A

Short text .../SBS11-B/... in the order code for side B



# Special functions

## G.SE | Side Elements

### Application

If increased security against unauthorised keys is to be guaranteed.

### Function

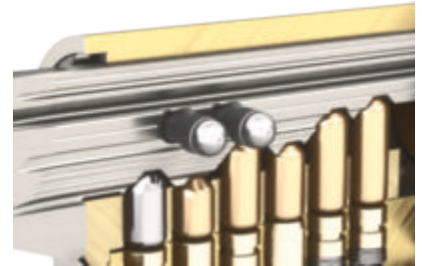
In addition to the normal tumbler pin pairs in the lock cylinders, there are a series of side locking elements available. These release the cylinder only when the key has the appropriate coding.

### Notes

- Additional protection against impressioning method
- Increases keying capacity in master key systems
- Not available for all systems, standard for all pextra systems

### Order code system

Short text .../SE/... in the order code



# Special functions

## G.SUZ | Self-Changeable Cylinder (SUZ and SUZ1)

### Application

If someone wants to avoid exchanging all cylinders in the case that a key is lost, if a renter moves out without returning the key or if the access for craftsmen need to be revoked after the construction phase of a building.

### Function

The self-changing cylinder has three (or two for SUZ1) generations of keys. The keying of the cylinder can be changed up to two times. Turning the key of the subsequent generation revokes access for the previous generation. No other special keys or tools are required.

### Notes

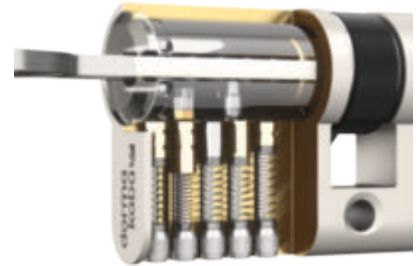
- Two keying changes with SUZ
- One keying change with SUZ1
- The subsequent keyings cannot be changed back.

For possible combinations with other special functions see chapter "Combination Options – Special Functions"

### Order code system

Short text .../SUZ/... in the order code

Short text .../SUZ1/... in the order code





# Special functions

## G.BAZ | Construction Time Function

### Application

When craftsmen need controlled access to certain areas or rooms during the construction phase of a building. At the end of the construction phase, only the tenants have access without exchanging the lock cylinders.

### Function

The craftsmen receive a construction phase key. With one turn of the change key, the access rights of the construction phase key are revoked. From this time on, only the tenant or owner key has access. This eliminates the need for a provisional master key system during the construction phase.

### Notes

- Construction phase keys can be issued as a general master, group or single-keyed key.
- The tenant key has access before and after the use of the change key.

For possible combinations with other special functions see chapter "Combination Options – Special Functions"

### Order code system

Short text .../BAZ/... in the order code

# Special functions

## G.SSW | Dust and Splash Protection

### Application

For the protection of the lock cylinder in areas with high environmental impact from the outside by dust or rain.

### Function

Lock cylinders with dust and weather protection are equipped on the face with two turnable and spring-loaded plastic plates. The plates are made of highly resistant plastic to keep dust or driving rain out and to allow easy key insertion by their geometry.

### Notes

- When ordering, specify on which side(s) the cap is to be installed.

For possible combinations with other special functions see chapter "Combination Options – Special Functions"

### Order code system

Short text .../SSW-A/... in the order code for side A

Short text .../SSW-B/... in the order code for side B

Short text .../SSW-AB/... in the order code for side A and B



# Special functions

## G.SWF | Seawater Resistant

### Application

Protects lock cylinders against corrosion by seawater

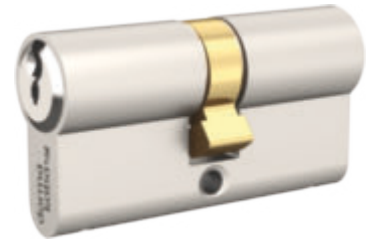
### Function

In this special configuration, the lock cylinder components are made of corrosion-resistant materials such as brass, bronze and stainless steel. This meets the requirements of the highest grade in EN 1670 (Corrosion Resistance Grade 5, 480-hour seawater spray test) for exceptional resistance of the lock cylinder against corrosion.

For possible combinations with other special functions see chapter "Combination Options – Special Functions"

### Order code system

Short text .../SWF/... in the order code



# Special functions

## G.VdS | VdS Certification

### Application

For use in selected doors requiring a high level of security and a lock cylinder with anti-burglary certification by VdS.

### Function

Lock cylinders with VdS certification provide the highest attack resistance against mechanical destructive opening. Lock cylinders according to VdS certification have hardened pins in the barrel and housing to protect against drilling and optional increased protection against pulling (code Z) in combination with security door hardware.

### Notes

- VdS-A and VdS-AZ only with five-pin cylinders
- VdS-B and VdS-BZ only with six-pin cylinders
- Cylinder fastening screw M5 × 80 8.8 (ISK)

For possible combinations with other special functions see chapter "Combination Options – Special Functions"

### Order code system

Short text .../VdSA/... in the order code

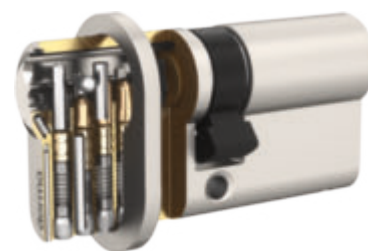
Short text .../VdSAZ/... in the order code

Short text .../VdSB/... in the order code

Short text .../VdSBZ/... in the order code



VDSA and VDSB



VdSAZ and VdSBZ

# Special functions

## G.VK | Wear-Resistant Barrel

### Application

When cylinders are exposed to high frequent use they can be equipped with wear-resistant barrels which strongly reduces the abrasion of the barrel and enhances the lifetime of the cylinder.

### Function

The cylinder barrel is covered with a nickel layer and hardened by a chemical reaction. This layer contributes significantly to wear reduction in the key canal of the lock cylinder barrel and increases its service life.

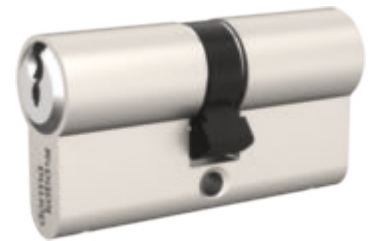
### Notes

- This option is available is for one or both sides of the lock cylinder.

For possible combinations with other special functions see chapter "Combination Options – Special Functions"

### Order code system

Short text .../VK-A/... in the order code for side A



# Special functions

## G.ZR | Cogwheel Cam

### Application

Used in multi-point mortise door locks to enable easier operation of the lock.

### Function

The lock cylinder is equipped with a cogwheel cam – similar to a cog gearwheel. This cam reduces the turning force on the key.

### Notes

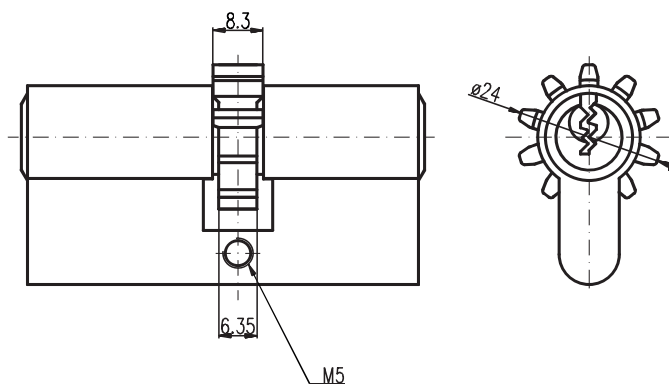
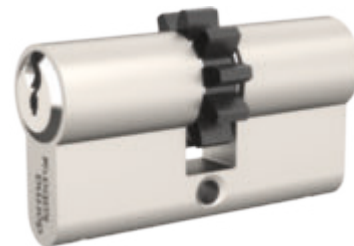
- Cogwheel cam  $\varnothing$  24 mm with 10 teeth (ZR10)
- Cogwheel cam  $\varnothing$  30 mm with 18 teeth (ZR18)

For possible combinations with other special functions see chapter "Combination Options – Special Functions"

### Order code system

Short text .../ZR10/... in the order code

Short text .../ZR18/... in the order code



# Mortise Door Lock Cylinders

## Euro Profile Cylinders

G.DZ | Double Cylinder, Euro Profile

### Application

For all mortise door locks in Euro profile  
The cam operates the bolt from the outside.

### Specification

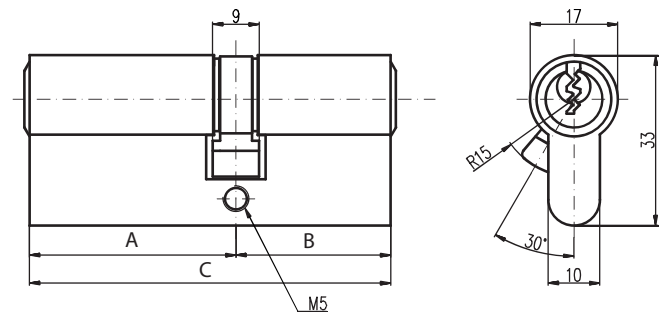
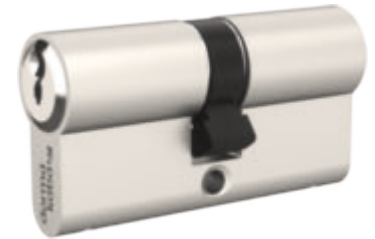
- Housing made from solid natural brass, surface nickel-plated
- Serrated key made of nickel silver or nickel-plated

### Included with the cylinder

- Three serrated keys, for all key types, see chapter 'Keys with systems and clips'
- One cylinder fastening screw M5 × 70 mm
- Security card for ownership registration and ordering duplicate keys
- Installation and maintenance instructions

### Order example

- PXP/DZ/5/30/30/NI/SE/PXPA/... cylinder options



### Cylinder options as follows:

#### Technical system

##### - Premier systems

pextra plus (PXP)  
pextra (PX)  
pextra3 (PX3)  
AP2000 (AP2)  
AP2000 (SYST)  
ESP (ESP)  
AP2pro (AP2pro)  
APN (APN)  
Profile 1 (P001)

##### - Legacy systems

ANS2000 (ANS2)  
ANS3000 (ANS3)  
ANS4000 (ANS4)  
CNS2000 (CNS2)  
HKS2000 (HKS2)  
HKS4000 (HKS4)  
AP3000 (AP3)  
AP4000 (AP4)

#### System type

Standard  
Pre-assembled (PRE)  
Not assembled (UNMONT)  
Pre-assembled (VOM)

# Mortise Door Lock Cylinders

## Euro Profile Cylinders

G.DZ | Double Cylinder, Euro Profile

### Number of pins

Five pins (5)  
Six pins (6)  
Seven pins (7)

### Length A 17 mm EU

#### - Standard lengths per side:

Five pins – 23.5, 27.5, 30.0, 31.5 and 35.5 mm  
Six pins – 31.5 and 35.5 mm  
Seven pins – 35.5 mm  
From 40 to 60 mm in 5 mm steps

#### - Special lengths per side:

From 65 mm to 200 mm in 5 mm steps  
(Exceptions are possible)

### Surface DZ side A

Nickel-plated (NI)  
Brass, dull (MS)  
Chrome-plated (CR)  
Chrome, satin (CRM)  
Chrome, polished (CRP)  
Chrome, scotch (CRS)  
Brass, polished (MP)  
Brass, brushed (MB)  
Bronzed light (BH)  
Bronzed medium (BM)  
Bronzed dark (BD)

### Coupling function

Standard coupling  
Double key override (BSZ)  
Freewheel cylinder for gear operated or panic locks (FZG)  
Emergency key function (GF)

### Cam

Standard cam  
Biffar, 2-nosed cam (BIFF\_2nose)  
4-nosed cam (4nose)  
Cogwheel cam z = 10 (ZR10)  
Cogwheel cam z = 18 (ZR18)  
Universal cam 98-4-001 (UNIV)

### Cam with screw

0°  
30°  
330°

### Certificate/Standard side A

EN1303-B and EN1303-C (EN1303BC)  
EN1303-D (EN1303D)  
VdS-A (VdSA)  
VdS-AZ (VdSAZ)  
VdS-B (VdSB)  
VdS-BZ (VdSBZ)  
KM\* (KM\*)  
SKG\*\* (SKG\*\*)  
SKG\*\*\* (SKG\*\*\*)  
SAS (SAS)

### Pulling Protection A

Steel reinforcement plate (LAM)  
Pulling protection (AS)

### Sacrificial break slot A

Sacrificial break slot 11 mm side A (SBS11-A)  
Sacrificial break slot 14 mm side A (SBS14-A)  
Sacrificial break slot 18 mm side A (SBS18-A)

### Sacrificial break slot B

Sacrificial break slot 11 mm side B (SBS11-B)  
Sacrificial break slot 14 mm side B (SBS14-B)  
Sacrificial break slot 18 mm side B (SBS18-B)

### Locking element

Side element (SE)

### Blocking pin

Active element for PX (PXA)  
Active element for PXP (PXPA)

### Economy style

No, four security pins and S-pinning  
Economy, no security pins (E)  
Economy, four security pins and E-pinning (E4S)

### Screw type

Screw version (SCHRAUB)

### Locking function A

Self-changable cylinder (SUZ)  
Self-changable cylinder one-time (SUZ1)  
Construction time function (BAZ)

### Special function

Hotel function, occupied pin (HG)  
Restricted access option (PS)



# Mortise Door Lock Cylinders

## Euro Profile Cylinders

G.DZ | Double Cylinder, Euro Profile

### Seawater protection

Seawater resistant (SWF)

### Dust cover

Dust and splash protection side A (SSW-A)

Dust and splash protection side B (SSW-B)

Dust and splash protection side A and B (SSW-AB)

### Cut A

30 mm

31.5 mm

35.5 mm

40 mm

### Cut B

30 mm

31.5 mm

35.5 mm

40 mm

### Blind one side

One-sided blind side A (BL-A)

One-sided blind side B (BL-B)

### Wear-resistant barrel A

Wear-resistant barrel side A (VK-A)

### Wear-resistant barrel B

Wear-resistant barrel side B (VK-B)

### Backmilled side A

1.6 mm

Backmilled 2 mm side A (RG2-A)

### Backmilled side B

1.6 mm

Backmilled 2 mm side B (RG2-B)

### Cylinder fastening screw

Screw M5 × 50 mm (BS\_M5x50)

Screw M5 × 65 mm (BS\_M5x65)

Screw M5 × 70 mm (BS\_M5x70)

Screw M5 × 75 mm (BS\_M5x75)

Screw M5 × 80 mm (BS\_M5x80)

Screw M5 × 85 mm (BS\_M5x85)

# Mortise Door Lock Cylinders

## Euro Profile Cylinders

G.DKZ | Thumbturn Cylinder, Euro Profile

### Application

For all mortise door locks in Euro profile. The cam operates the bolt and latch in door locks with key latch operation.

The knob operates the lock from the inside without a key.

### Specification

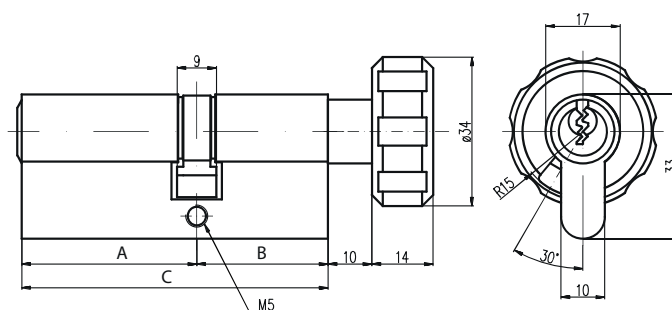
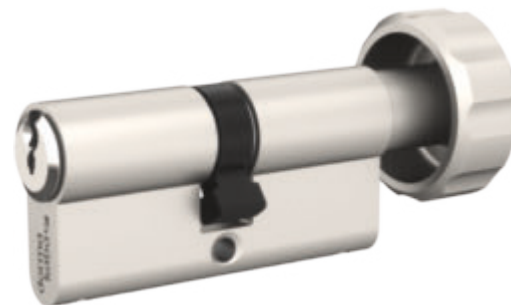
- Housing made from solid natural brass, surface nickel-plated
- Serrated key made of nickel silver or nickel-plated
- Round knob

### Included with the cylinder

- Three serrated keys, for all key types, see chapter 'Keys with systems and clips'
- One cylinder fastening screw M5 × 70 mm
- Security card for ownership registration and ordering duplicate keys
- Installation and maintenance instructions

### Order example

- PXP/DKZ/5/30/30/NI/SE/... further cylinder options



### Cylinder options as follows:

#### Technical system

##### - Premier systems

pextra plus (PXP)  
 pextra (PX)  
 pextra3 (PX3)  
 AP2000 (AP2)  
 AP2000 (SYST)  
 ESP (ESP)  
 AP2pro (AP2pro)  
 APN (APN)  
 Profile 1 (P001)

##### - Legacy systems

ANS2000 (ANS2)  
 ANS3000 (ANS3)  
 ANS4000 (ANS4)  
 CNS2000 (CNS2)  
 HKS2000 (HKS2)  
 HKS4000 (HKS4)  
 AP3000 (AP3)  
 AP4000 (AP4)

# Mortise Door Lock Cylinders

## Euro Profile Cylinders

G.DKZ | Thumbturn Cylinder, Euro Profile

### System type

Standard  
Pre-assembled (PRE)  
Not assembled (UNMONT)  
Pre-assembled (VOM)

### Number of pins

Five pins (5)  
Six pins (6)  
Seven pins (7)

### Length A 17 mm EU

#### - Standard lengths per side:

Five pins – 23.5, 27.5, 30.0, 31.5 and 35.5 mm  
Six pins – 31.5 and 35.5 mm  
Seven pins – 35.5 mm  
From 40 to 60 mm in 5 mm steps

#### - Special lengths per side:

From 65 mm to 200 mm in 5 mm steps  
(Exceptions are possible)

### Surface DZ side A

Nickel-plated (NI)  
Brass, dull (MS)  
Chrome-plated (CR)  
Chrome, satin (CRM)  
Chrome, polished (CRP)  
Chrome, scotch (CRS)  
Brass, polished (MP)  
Brass, brushed (MB)  
Bronzed light (BH)  
Bronzed medium (BM)  
Bronzed dark (BD)

### Knob/thumbturn side B

Rectangular knob (EK)  
Round knob (RKG)  
Oval knob (OK)  
Small round knob (KRK)  
Freedom knob (FK)  
Freedom easy knob (FEK)  
Oval profile knob (OPK)  
EURO knob (EURO)  
D-LINE knob (OKD)  
Panic knob (PANIK)  
Hewi knob (DK-HK32)

### Thumbturn fixation B

Knob fix  
Knob demountable (DK-ABN)

### Coupling function

Standard coupling  
Freewheel cylinder for gear operated or panic locks (FZG)

### Cam

Standard cam  
Cogwheel cam z = 10 (ZR10)  
Cogwheel cam z = 18 (ZR18)  
Biffar, 2-nosed cam (BIFF\_2nose)  
Single 8 mm  
Single 8.7 mm  
Single Fullex  
Single AG186 (KSP)

### Cam with screw

0°  
30°  
330°  
Standard: 30°  
Optional: 0° to 360° in 15° steps

### Certificate/Standard side A

EN1303-B and EN1303-C (EN1303BC)  
EN1303-D (EN1303D)  
VdS-A (VdSA)  
VdS-AZ (VdSAZ)  
VdS-B (VdSB)  
VdS-BZ (VdSBZ)  
KM\* (KM\*)  
SKG\*\* (SKG\*\*)  
SKG\*\*\* (SKG\*\*\*)  
SAS (SAS)

### Pulling Protection A

Steel reinforcement plate (LAM)

### Sacrificial break slot A

Sacrificial break slot 11 mm side A (SBS11-A)  
Sacrificial break slot 14 mm side A (SBS14-A)  
Sacrificial break slot 18 mm side A (SBS18-A)

### Locking element

Side element (SE)

### Blocking pin

Active element for PX (PXA)  
Active element for PXP (PXPA)

# Mortise Door Lock Cylinders

## Euro Profile Cylinders

G.DKZ | Thumbturn Cylinder, Euro Profile

### **Economy style**

No, four security pins and S-pinning

Economy, no security pins (E)

### **Screw type**

Screw version (SCHRAUB)

### **Locking function A**

Self-changable cylinder (SUZ)

Self-changable cylinder one-time (SUZ1)

Construction time function (BAZ)

### **Seawater protection**

Seawater resistant (SWF)

### **Dust cover**

Dust and splash protection side A (SSW-A)

### **Wear-resistant barrel A**

Wear-resistant barrel side A (VK-A)

### **Backmilled side A**

1.6 mm

Backmilled 2 mm side A (RG2-A)

### **Cylinder fastening screw**

Screw M5 × 50 mm (BS\_M5x50)

Screw M5 × 65 mm (BS\_M5x65)

Screw M5 × 70 mm (BS\_M5x70)


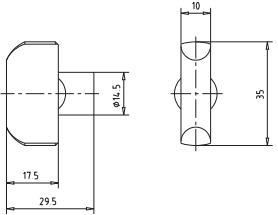

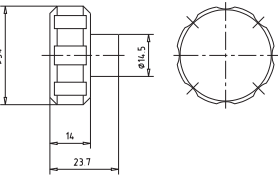

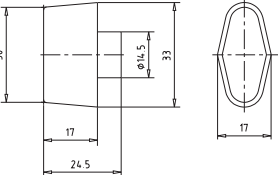

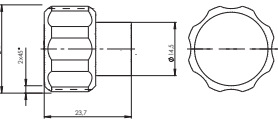

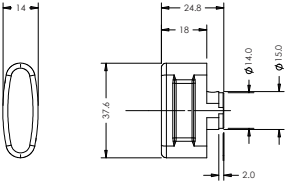

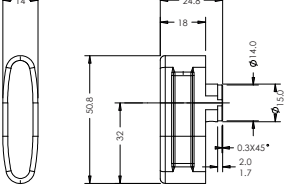

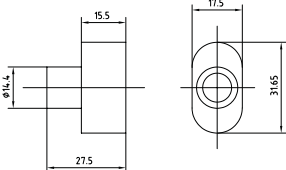
Screw M5 × 75 mm (BS\_M5x75)

Screw M5 × 80 mm (BS\_M5x80)

Screw M5 × 85 mm (BS\_M5x85)


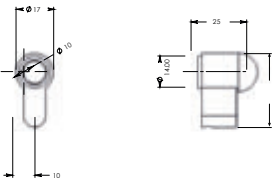

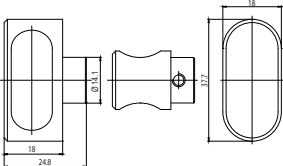

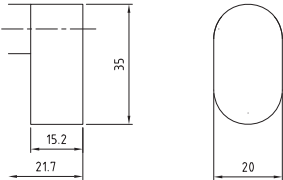

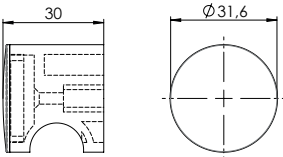
# Cylinder Knobs

G.DKZ | Thumbturn Cylinders Serrated Key Systems

Order code short text	Type	Image	Drawing
EK	Rectangular knob		
RKG	Round knob		
OK	Oval knob		
KRK	Small round knob		
FK	Freedom knob		
FEK	Freedom easy knob		
OPK	Oval profile knob		

# Cylinder Knobs

G.DKZ | Thumbturn Cylinders Serrated Key Systems

Order code short text	Type	Image	Drawing
EURO	EURO knob		
OKD	Oval knob D-Line		
PANIK	Panic knob Available in these surface finishes only: Nickel plated (NI) Brass dull (MS) Brass Polished (MP) Chrome plated polished (CRP)		
DK-HK32	HEWI knob Colours: red further colours on request		

**Knob Surface Finishes (unless specified otherwise):**

- Nickel plated (NI)
- Brass dull (MS)
- Brass polished (MP)
- Brass brushed (MB)
- Chrome plated (CR)
- Chrome plated polished (CRP)
- Chrome plated dull (CRM)
- Chrome plated scotch (CRS)
- Bronzed dark (BD)
- Bronzed medium (BM)
- Bronzed light (BH)

# Mortise Door Lock Cylinders

## Euro Profile Cylinders

G.HZ | Single Cylinder, Euro Profile

### Application

For all mortise door locks in Euro profile. The cam operates the bolt and latch in door locks with key latch operation.

For all mortise door locks in Euro profile requiring key operation on one side only.

### Specification

- Housing made from solid natural brass, surface nickel-plated
- Serrated key made of nickel silver or nickel-plated
- Cam is set at 45° over the housing and can be changed to eight positions by pressing the spring-loaded cam pin by 45°.

### Included with the cylinder

- Three serrated keys, for all key types, see chapter 'Keys with systems and clips'
- One cylinder fastening screw M5 × 70 mm
- Security card for ownership registration and ordering duplicate keys
- Installation and maintenance instructions

### Order example

- PXP/HZ/5/30/NI/SE/... further cylinder options

### Cylinder options as follows:

#### Technical system

##### - Premier systems

pextra plus (PXP)

pextra (PX)

pextra3 (PX3)

AP2000 (AP2)

AP2000 (SYST)

ESP (ESP)

AP2pro (AP2pro)

APN (APN)

Profile 1 (PO01)

##### - Legacy systems

ANS2000 (ANS2)

ANS3000 (ANS3)

ANS4000 (ANS4)

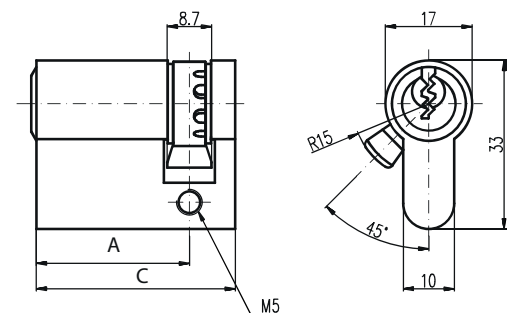
CNS2000 (CNS2)

HKS2000 (HKS2)

HKS4000 (HKS4)

AP3000 (AP3)

AP4000 (AP4)



# Mortise Door Lock Cylinders

## Euro Profile Cylinders

G.HZ | Single Cylinder, Euro Profile

### System type

Standard  
Pre-assembled (PRE)  
Not assembled (UNMONT)  
Pre-assembled (VOM)

### Number of pins

Five pins (5)  
Six pins (6)  
Seven pins (7)

### Locking direction

Without closing direction  
Right (R)  
Left (L)

### Length A 17 mm EU

#### - Standard lengths:

Five pins – 23.5, 27.5, 30.0, 31.5 and 35.5 mm  
Six pins – 31.5 and 35.5 mm  
Seven pins – 35.5 mm  
From 40 to 60 mm in 5 mm steps

#### - Special lengths:

From 65 to 200 mm  
(Exceptions are possible.)

### Surface cylinder

Nickel-plated (NI)  
Brass, dull (MS)  
Chrome-plated (CR)  
Chrome, satin (CRM)  
Chrome, polished (CRP)  
Chrome, scotch (CRS)  
Brass, polished (MP)  
Brass, brushed (MB)  
Bronzed light (BH)  
Bronzed medium (BM)  
Bronzed dark (BD)

### Coupling function

Standard coupling  
Freewheel cylinder for gear operated or panic locks (FZG)

### Cam

Standard cam  
Cogwheel cam z = 10 (ZR10)  
Cogwheel cam z = 18 (ZR18)  
Single CAM r = 13.2  
Single Fullex  
Single AG186 (KSP)

### Cam with screw

0°  
30°  
45°  
90°  
135°  
180°  
225°  
270°  
315°  
330°  
FL45.0-45°  
FL45.135-180°  
FL90.0-90°  
FL90.90-180°  
FL90.180-270°  
FL90.270-0°  
FL180.0-180°  
FL180.90-270°  
FL180.180-0°  
FL180.270-90°  
FL225.315-180°  
FL270.0-270°  
FL270.90-0°  
FL270.180-90°  
FL270.225-135°  
FL270.270-180°  
FL315.225-180°  
FL315.315-270°

### Certificate/Standard side A

EN1303-B and EN1303-C (EN1303BC)  
EN1303-D (EN1303D)  
VdS-A (VdSA)  
VdS-AZ (VdSAZ)  
VdS-B (VdSB)  
VdS-BZ (VdSBZ)  
KM\* (KM\*)  
SKG\*\* (SKG\*\*)  
SKG\*\*\* (SKG\*\*\*)  
SAS (SAS)

### Pulling Protection A

Pulling protection (AS)

### Sacrificial break slot A

Sacrificial break slot 11 mm side A (SBS11-A)  
Sacrificial break slot 18 mm side A (SBS18-A)



# Mortise Door Lock Cylinders

## Euro Profile Cylinders

G.HZ | Single Cylinder, Euro Profile

### Locking element

Side element (SE)

Screw M5 × 80 mm (BS\_M5x80)

Screw M5 × 85 mm (BS\_M5x85)

### Blocking pin

Active element for PX (PXA)

Active element for PXP (PXPA)

With fixing screw M5 × 6

With fixing screw M4 × 6

### Economy style

No, four security pins and S-pinning

Economy, no security pins (E)

### Screw type

Screw version (SCHRAUB)

### Locking function A

Self-changable cylinder (SUZ)

Self-changable cylinder one-time (SUZ1)

Construction time function (BAZ)

Reflex

### Seawater protection

Seawater resistant (SWF)

### Dust cover

Dust and splash protection side A (SSW-A)

### Cut A

30 mm

31.5 mm

35.5 mm

40 mm

### Wear-resistant barrel A

Wear-resistant barrel side A (VK-A)

### Backmilled side A

Backmilled 2 mm side A (RG2-A)

Backmilled 3.6 mm side A (RG3.6-A)

### Backmilled side B

Backmilled 1 mm side B (RG1-B)

### Cylinder fastening screw

Without cylinder fastening screw (no\_BS)

Screw M5 × 25 mm (Pozidrive)

PL screw PA M5 × 30 mm (Pozi)

Screw M5 × 40 mm (BS\_M5x40)

Screw M5 × 50 mm (BS\_M5x50)

Screw M5 × 65 mm (BS\_M5x65)

Screw M5 × 70 mm (BS\_M5x70)

Screw M5 × 75 mm (BS\_M5x75)

# Mortise Door Lock Cylinders

## Euro Profile Cylinders

G.DZ\_TS7 | Double Cylinder Guard TS007, Euro Profile

### Application

For all mortise door locks in Euro profile. The cam operates the bolt and latch in door locks with key latch operation.

The cylinder features a sacrificial break slot, which ensures that in the event of the cylinder being snapped, the secure core of the lock is retained within the door, preventing forced override of the cylinder.



### Specification

- Housing made from solid natural brass, surface nickel-plated
- Serrated key made of nickel silver or nickel-plated
- Break-sure high-security lock cylinder
- Meets the requirements of TS007 3-star

### Included with the cylinder

- Three serrated keys, for all key types, see chapter 'Keys with systems and clips'
- One cylinder fastening screw M5 × 70 mm
- Security card for ownership registration and ordering duplicate keys
- Installation and maintenance instructions

### Order example

- PXP/DZ\_TS7/5/30/30/NI/SE/... further cylinder options

### Cylinder options as follows:

#### Technical system

##### - Premier systems

pextra plus (PXP)  
pextra (PX)  
AP2000 (AP2)

#### System type

Standard  
Pre-assembled (PRE)

#### Number of pins

Six pins (6)

#### Length A 17 mm EU

Six pins – 35.5 mm  
40 to 60 mm in 5 mm steps

# Mortise Door Lock Cylinders

## Euro Profile Cylinders

G.DZ\_TS7 | Double Cylinder Guard TS007, Euro Profile

### Surface DZ side A

Nickel-plated (NI)  
Brass, dull (MS)  
Nickel, natural (NIN)  
Chrome-plated (CR)  
Chrome, satin (CRM)  
Chrome, polished (CRP)  
Chrome, scotch (CRS)  
Brass, polished (MP)  
Brass, brushed (MB)  
Bronzed light (BH)  
Bronzed medium (BM)  
Bronzed dark (BD)

### Cam with screw

30°  
330°

### Certificate/Standard side A

KM\*\*\* (KM\*\*\*)

### Locking element

Side element (SE)

### Blocking pin

Active element for PX (PXA)  
Active element for PXP (PXPA)

### Cylinder fastening screw

Screw M5 × 50 mm (BS\_M5x50)  
Screw M5 × 65 mm (BS\_M5x65)  
Screw M5 × 70 mm (BS\_M5x70)  
Screw M5 × 75 mm (BS\_M5x75)  
Screw M5 × 80 mm (BS\_M5x80)  
Screw M5 × 85 mm (BS\_M5x85)

# Mortise Door Lock Cylinders

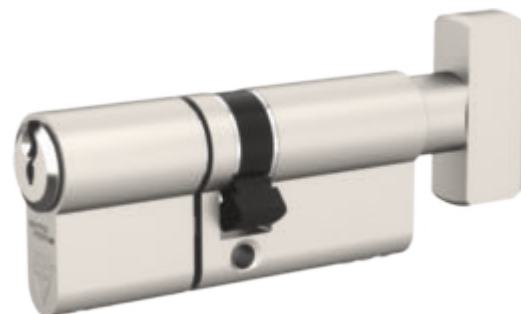
## Euro Profile Cylinders

G.DKZ\_TS7 | Thumbturn Cylinder Guard TS007, Euro Profile

### Application

For all mortise door locks in Euro profile. The cam operates the bolt and latch in door locks with key latch operation.

The knob operates the lock from the inside without a key. The cylinder features a sacrificial break slot, which ensures that in the event of the cylinder being snapped, the secure core of the lock is retained within the door, preventing forced override of the cylinder.



### Specification

- Housing made from solid natural brass, surface nickel-plated
- Serrated key made of nickel silver or nickel-plated
- Rectangular knob

### Included with the cylinder

- Three serrated keys, for all key types, see chapter 'Keys with systems and clips'
- One cylinder fastening screw M5 × 70 mm
- Security card for ownership registration and ordering duplicate keys
- Installation and maintenance instructions

### Order example

- PXP/DKZ\_TS7/5/30/30/NI/SE/... further cylinder options

### Cylinder options as follows:

#### Technical system

##### - Premier systems

pextra plus (PXP)  
pextra (PX)  
AP2000 (AP2)

#### Number of pins

Six pins (6)

#### Length A 17 mm EU

Six pins – 35.5 mm  
40 to 60 mm in 5 mm steps

#### Surface DZ side A

Nickel-plated (NI)  
Brass, dull (MS)  
Nickel, natural (NIN)  
Chrome-plated (CR)  
Chrome, satin (CRM)  
Chrome, polished (CRP)

# Mortise Door Lock Cylinders

## Euro Profile Cylinders

G.DKZ\_TS7 | Thumbturn Cylinder Guard TS007, Euro Profile

Chrome, scotch (CRS)  
Brass, polished (MP)  
Brass, brushed (MB)  
Bronzed light (BH)  
Bronzed medium (BM)  
Bronzed dark (BD)

### **Knob/thumbturn side B**

Rectangular knob (EK)  
Round knob (RKG)  
Oval knob (OK)  
Small round knob (KRK)  
Freedom knob (FK)  
Freedom easy knob (FEK)  
Oval profile knob (OPK)  
EURO knob (EURO)  
D-LINE knob (OKD)  
Panic knob (PANIK)

### **Thumbturn fixation B**

Knob fix  
Knob demountable (DK-ABN)

### **Cam with screw**

30°  
330°

### **Certificate/Standard side A**

KM\*\*\* (KM\*\*\*)

### **Locking element**

Side element (SE)

### **Blocking pin**

Active element for PX (PXA)  
Active element for PXP (PXPA)

### **Cylinder fastening screw**

Screw M5 × 50 mm (BS\_M5x50)  
Screw M5 × 65 mm (BS\_M5x65)  
Screw M5 × 70 mm (BS\_M5x70)  
Screw M5 × 75 mm (BS\_M5x75)  
Screw M5 × 80 mm (BS\_M5x80)  
Screw M5 × 85 mm (BS\_M5x85)

# Mortise Door Lock Cylinders

## Blind cylinders

BDZ | Blind Double Cylinder, Euro Profile

### Application

For all mortise door locks in Euro profile requiring no key operation in the door

### Specification

- Housing made from solid natural brass, surface nickel-plated
- Housing is supplied in solid natural brass with nickel-plating. No system designation is required. Standard blind cylinders are not drilled for inserts and are stocked in many lengths.

### Included with the cylinder

- One cylinder fastening screw M5 × 70 mm

### Order example

- BDZ/30/30/NI
- BDZ/15/50/CR

### Cylinder options as follows:

#### Length A 17 mm EU

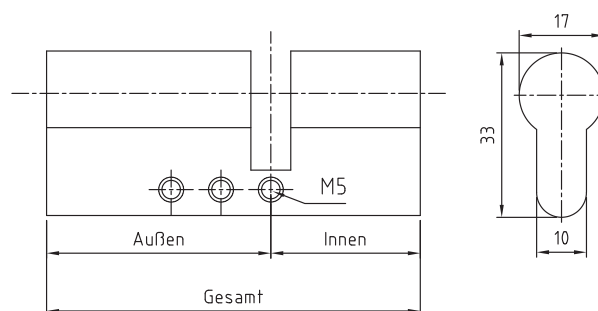
Length per side: 15 to 200 mm in 5 mm steps

#### Surface DZ side A

- Nickel-plated (NI)
- Brass, dull (MS)
- Chrome-plated (CR)
- Chrome, satin (CRM)
- Chrome, polished (CRP)
- Chrome, scotch (CRS)
- Brass, polished (MP)
- Brass, brushed (MB)
- Bronzed light (BH)
- Bronzed medium (BM)
- Bronzed dark (BD)

#### Cylinder fastening screw

- Screw M5 × 50 mm (BS\_M5x50)
- Screw M5 × 65 mm (BS\_M5x65)
- Screw M5 × 70 mm (BS\_M5x70)
- Screw M5 × 75 mm (BS\_M5x75)
- Screw M5 × 80 mm (BS\_M5x80)
- Screw M5 × 85 mm (BS\_M5x85)



# Mortise Door Lock Cylinders

## Blind cylinders

G.BDKZ | Blind Thumbturn Double Cylinder, Euro Profile

### Application

For all thumbturn cylinders which require no key. The thumbturn knob operates the bolt and latch of the mortise door lock.

### Specification

- Housing made from solid natural brass, surface nickel-plated
- No system is required for this cylinder type.
- Round knob

### Included with the cylinder

- One cylinder fastening screw M5 × 70 mm
- Installation and maintenance instructions

### Order example

- G/BDKZ/30/30/NI/... cylinder options

### Cylinder options as follows:

#### Length A 17 mm EU

##### - Standard lengths per side:

23.5, 27.5, 30.0, 31.5 and 35.5 mm  
From 40 to 75 mm in 5 mm steps

##### - Special lengths per side:

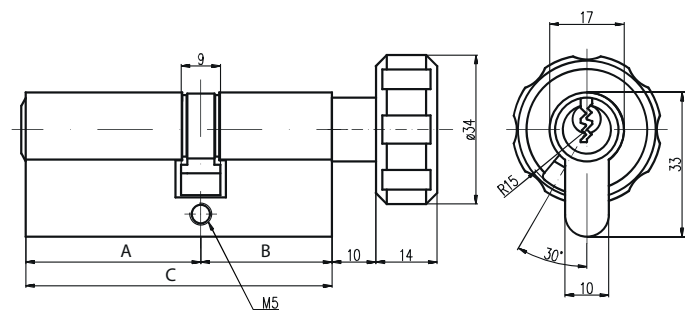
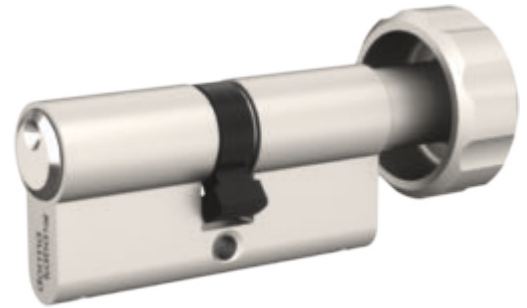
From 80 to 200 mm in 5 mm steps

#### Surface DZ side A

Nickel-plated (NI)  
Brass, dull (MS)  
Chrome, satin (CRM)  
Chrome, polished (CRP)  
Chrome, scotch (CRS)  
Brass, polished (MP)  
Brass, brushed (MB)  
Bronzed light (BH)  
Bronzed medium (BM)  
Bronzed dark (BD)

#### Knob/thumbturn side B

Rectangular knob (EK)  
Round knob (RKG)  
Oval knob (OK)  
Small round knob (KRK)  
Oval profile knob (OPK)



# Mortise Door Lock Cylinders

## Blind cylinders

G.BDKZ | Blind Thumbturn Double Cylinder, Euro Profile

### Cam

Standard cam

Cogwheel cam z = 10 (ZR10)

Cogwheel cam z = 18 (ZR18)

Biffar, 2-nosed cam (BIFF\_2nose)

Single 8 mm

Single 8.7 mm

Single AG186 (KSP)

Single AG221 (KSP)



# Mortise Door Lock Cylinders

## Blind cylinders

BHZ | Blind Single Cylinder, Euro Profile

### Application

For all mortise door locks in Euro profile requiring no key operation in the door

### Specification

- Housing made from solid natural brass, surface nickel-plated
- Housing is supplied in solid natural brass with nickel-plating. No system designation is required. Standard blind cylinders are not drilled for inserts and are stocked in many lengths.

### Included with the cylinder

- One cylinder fastening screw M5 × 70 mm

### Order example

- BHZ/25/NI
- BHZ/55/CR

### Cylinder options as follows:

#### Length A 17 mm EU

Length per side: 25 to 120 mm in 5 mm steps

#### Surface cylinder

Nickel-plated (NI)  
 Brass, dull (MS)  
 Chrome-plated (CR)  
 Chrome, satin (CRM)  
 Chrome, polished (CRP)  
 Chrome, scotch (CRS)  
 Brass, polished (MP)  
 Brass, brushed (MB)  
 Bronzed light (BH)  
 Bronzed medium (BM)  
 Bronzed dark (BD)

#### Cylinder fastening screw

Screw M5 × 50 mm (BS\_M5x50)  
 Screw M5 × 65 mm (BS\_M5x65)  
 Screw M5 × 70 mm (BS\_M5x70)  
 Screw M5 × 75 mm (BS\_M5x75)  
 Screw M5 × 80 mm (BS\_M5x80)  
 Screw M5 × 85 mm (BS\_M5x85)



# Mortise Door Lock Cylinders

## Blind cylinders

G.BHZ\_DK | Blind Thumbturn Single Cylinder, Euro Profile

### Application

For all thumbturn cylinders in Euro profile requiring no keying on one side of the door

### Specification

- Housing made from solid natural brass, surface nickel-plated
- No system is required for this cylinder type.

### Included with the cylinder

- One cylinder fastening screw M5 × 70 mm
- Installation and maintenance instructions

### Order example

- G/BHZ\_DK/30/NI/... cylinder options



### Cylinder options as follows:

#### Length A 17 mm EU

##### - Standard lengths:

23.5, 27.5, 30.0, 31.5 and 35.5 mm

From 40 to 75 mm in 5 mm steps

##### - Special lengths:

From 80 to 115 mm in 5 mm steps

### Surface cylinder

Nickel-plated (NI)

Chrome, satin (CRM)

Chrome, polished (CRP)

Chrome, scotch (CRS)

Chrome-plated (CR)

Brass, dull (MS)

Brass, polished (MP)

Brass, brushed (MB)

Bronzed dark (BD)

Bronzed medium (BM)

Bronzed light (BH)

### Knob/thumbturn side B

Without thumbturn (KK)

Rectangular knob (EK)

Round knob (RKG)

Oval knob (OK)

Small round knob (KRK)

Freedom knob (FK)

Freedom easy knob (FEK)

Oval profile knob (OPK)

EURO knob (EURO)

D-LINE knob (OKD)

# Mortise Door Lock Cylinders

## Blind cylinders

G.BHZ\_DK | Blind Thumbturn Single Cylinder, Euro Profile

### **Thumbturn fixation A**

Knob fix

Knob demountable (DK-ABN)

### **Cam**

Standard cam

Cogwheel cam z = 10 (ZR10)

Cogwheel cam z = 18 (ZR18)

Single AG186 (KSP)

### **Seawater protection**

Without seawater protection

Seawater resistant (SWF)

# Mortise Door Lock Cylinders

## Blind cylinders

G.WCZ | WC Cylinder, Euro Profile

### Application

For all toilet mortise door locks in Euro profile  
The cam operates the bolt in a toilet door lock with occupied/vacant indication and emergency unlocking from the outside.

### Specification

- Housing made from solid natural brass, surface nickel-plated
- Round knob

### Included with the cylinder

- One cylinder fastening screw M5 × 70 mm
- Installation and maintenance instructions

### Order example

- G/WCZ/30/30/NI/... cylinder options

### Cylinder options as follows:

#### Length A 17 mm EU

##### - Standard lengths per side:

23.5, 27.5, 30.0, 31.5 and 35.5 mm  
From 40 to 75 mm in 5 mm steps

##### - Special lengths per side:

From 80 to 200 mm in 5 mm steps

#### Surface DZ side A

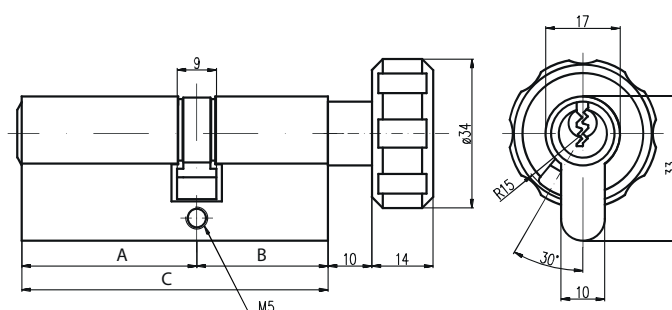
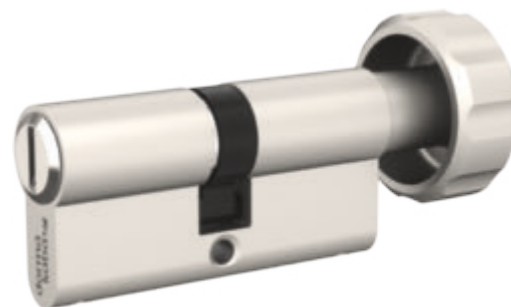
Nickel-plated (NI)  
Brass, dull (MS)  
Chrome, polished (CRP)  
Brass, brushed (MB)  
Bronzed light (BH)  
Bronzed medium (BM)  
Bronzed dark (BD)

#### Knob/thumbturn side B

Rectangular knob (EK)  
Round knob (RKG)  
Oval knob (OK)  
Small round knob (KRK)  
Freedom knob (FK)  
Oval profile knob (OPK)  
EURO knob (EURO)  
D-LINE knob (OKD)

#### Thumbturn fixation B

Knob fix  
Knob demountable (DK-ABN)



# Mortise Door Lock Cylinders

## Blind cylinders

G.WCZ | WC Cylinder, Euro Profile

### **Cam**

Standard cam

Single AG186 (KSP)

### **Thumbturn sleeve**

With thumbturn sleeve

# Mortise Door Lock Cylinders

## Scandinavian Door Cylinders

G.OHZ\_SK.2520 | Oval Single Cylinder 2520, Norway

### Application

For all mortise door locks in Nordic oval profile. The tailpiece operates the bolt and/or latch.

### Specification

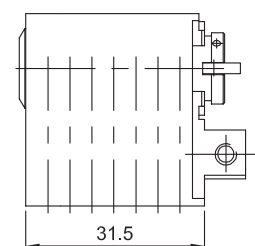
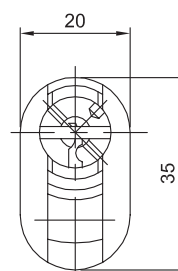
- Housing chrome-plated and barrel in brass
- Serrated key made of nickel silver or nickel-plated

### Included with the cylinder

- Three serrated keys, for all key types, see chapter 'Keys with systems and clips'
- Security card for ownership registration and ordering duplicate keys
- Installation and maintenance instructions

### Order example

- PXP/OHZ\_SK/2520/7/CRS/... cylinder options



### Cylinder options as follows:

#### Technical system

##### - Premier systems

pextra plus (PXP)  
 pextra (PX)  
 AP2000 (AP2)  
 AP2000 (SYST)  
 ESP (ESP)  
 Profile 1 (P001)

##### - Legacy systems

ANS2000 (ANS2)  
 CNS2000 (CNS2)

#### Type cylinder

2520 Nordic oval AZ (2520)

#### Number of pins

Five pins (5)  
 Six pins (6)  
 Seven pins (7)

#### Surface cylinder

Nickel-plated (NI)  
 Brass, dull (MS)  
 Chrome-plated (CR)  
 Chrome, satin (CRM)  
 Chrome, polished (CRP)  
 Chrome, scotch (CRS)  
 Brass, polished (MP)  
 Brass, brushed (MB)

# Mortise Door Lock Cylinders

## Scandinavian Door Cylinders

G.OHZ\_SK.2520 | Oval Single Cylinder 2520, Norway

Bronzed light (BH)  
Bronzed medium (BM)  
Bronzed dark (BD)

### Surface barrel

Nickel-plated (NI)  
Brass, dull (MS)  
Chrome-plated/chrome (CR)  
Chrome, satin (CRM)  
Chrome, polished (CRP)  
Chrome, scotch (CRS)  
Brass, polished (MP)  
Brass, brushed (MB)  
Bronzed light (BH)  
Bronzed medium (BM)  
Bronzed (BD)

### Locking element

Side element (SE)

### Blocking pin

Active element for PX (PXA)  
Active element for PXP (PXPA)

### Economy style

Economy, no security pins (E)  
No, four security pins and S-pinning

### Locking function A

Self-changable cylinder (SUZ)  
Self-changable cylinder one-time (SUZ1)

### Seawater protection

Seawater resistant (SWF)

### Blind one side

One-sided blind side A (BL-A)

# Mortise Door Lock Cylinders

## Scandinavian Door Cylinders

G.OHZ\_SK.2537 |Oval Single Cylinder 2537, Norway

### Application

For all mortise door locks in Nordic oval profile. The tailpiece operates the bolt and/or latch.

### Specification

- Housing made of brass, scotch chrome-plated, and barrel in dull brass
- Serrated key made of nickel silver or nickel-plated
- 

### Included with the cylinder

- Three serrated keys, for all key types, see chapter 'Keys with systems and clips'
- Security card for ownership registration and ordering duplicate keys
- Installation and maintenance instructions

### Order example

- PXP/OHZ\_SK/2537/7/CRS/... cylinder options

### Cylinder options as follows:

#### Technical system

##### - Premier systems

pextra plus (PXP)  
 pextra (PX)  
 AP2000 (AP2)  
 AP2000 (SYST)  
 ESP (ESP)  
 Profile 1 (P001)

##### - Legacy systems

ANS2000 (ANS2)  
 CNS2000 (CNS2)

#### Type cylinder

2537 Nordic oval AZ (2537)

2537ESP Nordic oval AZ long tailpiece (2537ESP)

#### Number of pins

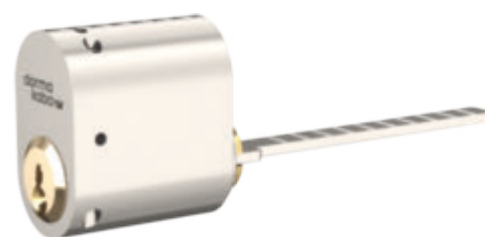
Five pins (5)  
 Six pins (6)  
 Seven pins (7)

#### Surface cylinder

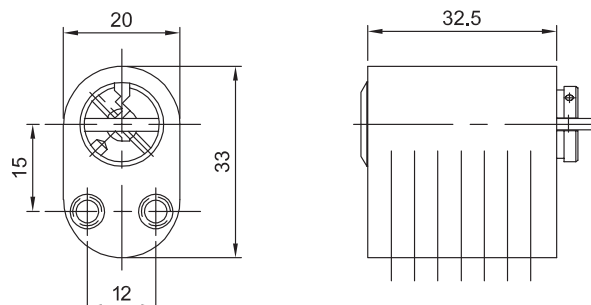
Nickel-plated (NI)  
 Brass, dull (MS)  
 Chrome-plated (CR)  
 Chrome, satin (CRM)  
 Chrome, polished (CRP)  
 Chrome, scotch (CRS)



Type 2537



Type 2537ESP





# Mortise Door Lock Cylinders

## Scandinavian Door Cylinders

G.OHZ\_SK.2537 | Oval Single Cylinder 2537, Norway

Brass, polished (MP)  
Brass, brushed (MB)  
Bronzed light (BH)  
Bronzed medium (BM)  
Bronzed dark (BD)

### Surface barrel

Nickel-plated (NI)  
Brass, dull (MS)  
Chrome-plated/chrome (CR)  
Chrome, satin (CRM)  
Chrome, polished (CRP)  
Chrome, scotch (CRS)  
Brass, polished (MP)  
Brass, brushed (MB)  
Bronzed light (BH)  
Bronzed medium (BM)  
Bronzed (BD)

### Locking element

Side element (SE)

### Blocking pin

Active element for PX (PXA)  
Active element for PXP (PXPA)

### Economy style

Economy, no security pins (E)  
No, four security pins and S-pinning  
No, seven security pins and S-pinning (7SSK)

### Screw type

Screw version (SCHRAUB)

### Locking function A

Self-changable cylinder (SUZ)  
Self-changable cylinder one-time (SUZ1)

### Seawater protection

Seawater resistant (SWF)

### Blind one side

One-sided blind side A (BL-A)

# Mortise Door Lock Cylinders

## Scandinavian Door Cylinders

G.OHZ\_SK.2547 | Oval Single Cylinder 2547, Inside, Norway

### Application

For all mortise door locks in Nordic oval profile. The tailpiece operates the bolt and/or latch.

### Specification

- Housing chrome-plated and barrel in brass
- Serrated key made of nickel silver or nickel-plated

### Included with the cylinder

- Three serrated keys, for all key types, see chapter 'Keys with systems and clips'
- Security card for ownership registration and ordering duplicate keys
- Installation and maintenance instructions

### Order example

- PXP/OHZ\_SK/2547/7/CRS/... cylinder options

### Cylinder options as follows:

#### Technical system

##### - Premier systems

pextra plus (PXP)  
 pextra (PX)  
 AP2000 (AP2)  
 AP2000 (SYST)  
 ESP (ESP)  
 Profile 1 (P001)

##### - Legacy systems

ANS2000 (ANS2)  
 CNS2000 (CNS2)

#### Type cylinder

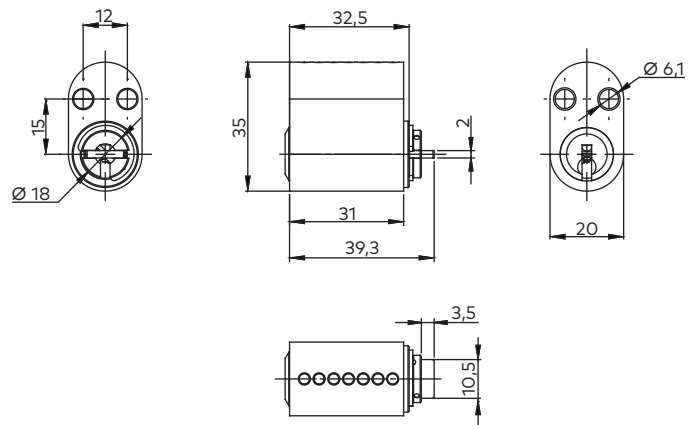
2547 Nordic oval IZ (2547)

#### Number of pins

Five pins (5)  
 Six pins (6)  
 Seven pins (7)

#### Surface cylinder

Nickel-plated (NI)  
 Brass, dull (MS)  
 Chrome-plated (CR)  
 Chrome, satin (CRM)  
 Chrome, polished (CRP)  
 Chrome, scotch (CRS)  
 Brass, polished (MP)  
 Brass, brushed (MB)



# Mortise Door Lock Cylinders

## Scandinavian Door Cylinders

G.OHZ\_SK.2547 | Oval Single Cylinder 2547, Inside, Norway

Bronzed light (BH)  
Bronzed medium (BM)  
Bronzed dark (BD)

### Surface barrel

Nickel-plated (NI)  
Brass, dull (MS)  
Chrome-plated/chrome (CR)  
Chrome, satin (CRM)  
Chrome, polished (CRP)  
Chrome, scotch (CRS)  
Brass, polished (MP)  
Brass, brushed (MB)  
Bronzed light (BH)  
Bronzed medium (BM)  
Bronzed (BD)

### Locking element

Side element (SE)

### Blocking pin

Active element for PX (PXA)  
Active element for PXP (PXPA)

### Economy style

Economy, no security pins (E)

### Screw type

Screw version (SCHRAUB)

### Locking function A

Self-changable cylinder (SUZ)  
Self-changable cylinder one-time (SUZ1)

### Seawater protection

Seawater resistant (SWF)

### Blind one side

One-sided blind side A (BL-A)

# Mortise Door Lock Cylinders

## Scandinavian Door Cylinders

G.OHZ\_SK.2557 |Oval Single Cylinder 2557, Rokoko, Norway

### Application

For all mortise door locks in Nordic oval profile. The tailpiece operates the bolt and/or latch.

### Specification

- Housing chrome-plated and barrel in brass
- Serrated key made of nickel silver or nickel-plated

### Included with the cylinder

- Three serrated keys, for all key types, see chapter 'Keys with systems and clips'
- Security card for ownership registration and ordering duplicate keys
- Installation and maintenance instructions

### Order example

- PXP/OHZ\_SK/2557/7/CRS/... cylinder options

### Cylinder options as follows:

#### Technical system

##### - Premier systems

pextra plus (PXP)  
 pextra (PX)  
 AP2000 (AP2)  
 AP2000 (SYST)  
 ESP (ESP)  
 Profile 1 (P001)

##### - Legacy systems

ANS2000 (ANS2)  
 CNS2000 (CNS2)

#### Type cylinder

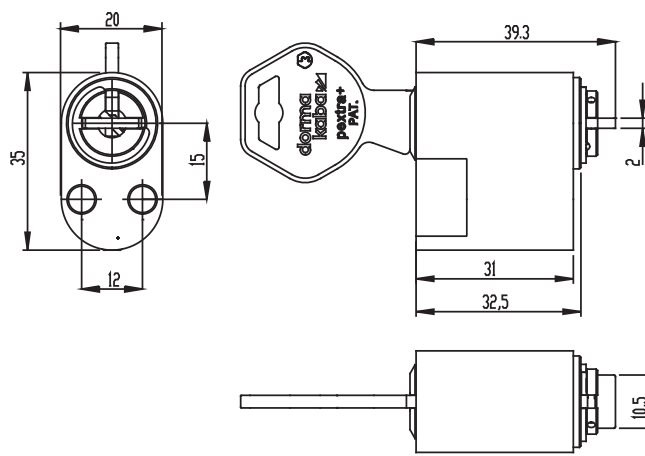
2557 Nordic Rokoko (2557)

#### Number of pins

Five pins (5)  
 Six pins (6)  
 Seven pins (7)

#### Surface cylinder

Nickel-plated (NI)  
 Brass, dull (MS)  
 Chrome-plated (CR)  
 Chrome, satin (CRM)  
 Chrome, polished (CRP)  
 Chrome, scotch (CRS)  
 Brass, polished (MP)  
 Brass, brushed (MB)



# Mortise Door Lock Cylinders

## Scandinavian Door Cylinders

G.OHZ\_SK.2557 |Oval Single Cylinder 2557, Rokoko, Norway

Bronzed light (BH)  
Bronzed medium (BM)  
Bronzed dark (BD)

### Surface barrel

Nickel-plated (NI)  
Brass, dull (MS)  
Chrome-plated/chrome (CR)  
Chrome, satin (CRM)  
Chrome, polished (CRP)  
Chrome, scotch (CRS)  
Brass, polished (MP)  
Brass, brushed (MB)  
Bronzed light (BH)  
Bronzed medium (BM)  
Bronzed (BD)

### Locking element

Side element (SE)

### Blocking pin

Active element for PX (PXA)  
Active element for PXP (PXPA)

### Economy style

Economy, no security pins (E)

### Screw type

Screw version (SCHRAUB)

### Locking function A

Self-changable cylinder (SUZ)  
Self-changable cylinder one-time (SUZ1)

### Seawater protection

Seawater resistant (SWF)

# Mortise Door Lock Cylinders

## Scandinavian Door Cylinders

### G.BoHZ | Blind Oval Single Cylinder

#### Application

For all mortise door locks in oval profile requiring no keying

#### Specification

- Housing made from solid natural brass, surface nickel-plated
- Type 2520 - oval outside cylinder
- Type 2537 - oval outside cylinder
- Type 2547 - oval outside cylinder

#### Order example

G/BoHZ/2520/CR/... further cylinder options

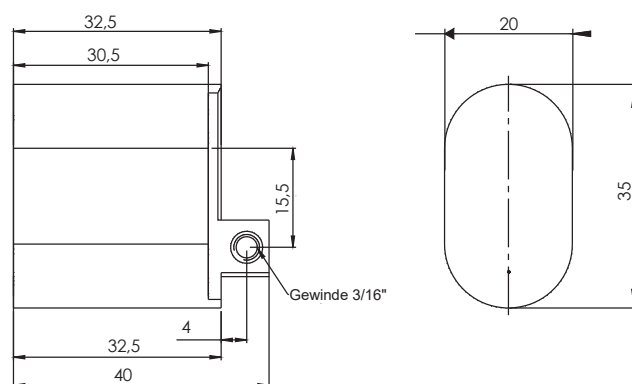
#### Cylinder options as follows:

##### Type cylinder

- 2520 (2520)
- 2537 (2537)
- 2547 (2547)

##### Surface cylinder

- Nickel-plated (NI)
- Brass, dull (MS)
- Chrome-plated (CR)
- Chrome, satin (CRM)
- Chrome, polished (CRP)
- Chrome, scotch (CRS)
- Brass, polished (MP)
- Brass, brushed (MB)
- Bronzed light (BH)
- Bronzed medium (BM)
- Bronzed dark (BD)



# Mortise Door Lock Cylinders

## Scandinavian Door Cylinders

G.OHZ\_SK.325 | Oval Single Cylinder 325, Sweden

### Application

For all mortise door locks in Nordic oval profile. The tailpiece operates the bolt and/or latch.

### Specification

- Housing chrome-plated and barrel in dull brass
- Serrated key made of nickel silver or nickel-plated

### Included with the cylinder

- Three serrated keys, for all key types, see chapter 'Keys with systems and clips'
- Security card for ownership registration and ordering duplicate keys
- Installation and maintenance instructions

### Order example

- PXP/OHZ\_SK/325/7/CR/... cylinder options

### Cylinder options as follows:

#### Technical system

##### - Premier systems

pextra plus (PXP)  
 pextra (PX)  
 AP2000 (AP2)  
 AP2000 (SYST)  
 ESP (ESP)  
 Profile 1 (P001)

##### - Legacy systems

ANS2000 (ANS2)  
 ANS3000 (ANS3)  
 CNS2000 (CNS2)  
 HKS2000 (HKS2)

### Type cylinder

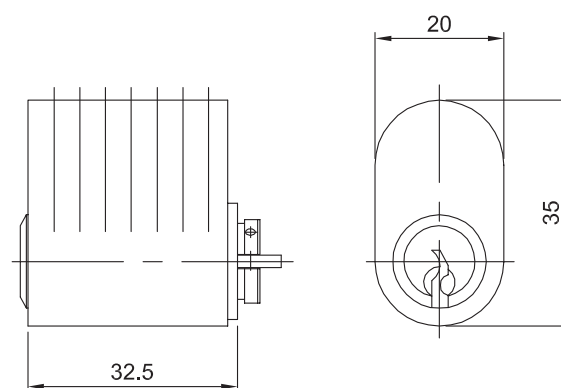
325 Sweden oval AZ (325)

### Number of pins

Five pins (5)  
 Six pins (6)  
 Seven pins (7)

### Surface cylinder

Nickel-plated (NI)  
 Brass, dull (MS)  
 Chrome-plated (CR)  
 Chrome, satin (CRM)  
 Chrome, polished (CRP)  
 Chrome, scotch (CRS)



# Mortise Door Lock Cylinders

## Scandinavian Door Cylinders

G.OHZ\_SK.325 | Oval Single Cylinder 325, Sweden

Brass, polished (MP)  
Brass, brushed (MB)  
Bronzed light (BH)  
Bronzed medium (BM)  
Bronzed dark (BD)

### Surface barrel

Nickel-plated (NI)  
Brass, dull (MS)  
Chrome-plated/chrome (CR)  
Chrome, satin (CRM)  
Chrome, polished (CRP)  
Chrome, scotch (CRS)  
Brass, polished (MP)  
Brass, brushed (MB)  
Bronzed light (BH)  
Bronzed medium (BM)  
Bronzed (BD)

### Locking element

Side element (SE)

### Blocking pin

Active element for PX (PXA)  
Active element for PXP (PXPA)

### Economy style

Economy, no security pins (E)  
No, seven security pins and S-pinning (7SSK)

### Screw type

Screw version (SCHRAUB)

### Locking function A

Self-changable cylinder (SUZ)  
Self-changable cylinder one-time (SUZ1)  
Two SUZ drillings (2 + 7)  
Reflex

### Seawater protection

Seawater resistant (SWF)



# Mortise Door Lock Cylinders

## Scandinavian Door Cylinders

G.OHZ\_SK.326 | Oval Single Cylinder 326, Rokoko, Sweden

### Application

For all mortise door locks in Nordic oval profile. The tailpiece operates the bolt and/or latch.

### Specification

- Housing chrome-plated and barrel in dull brass
- Serrated key made of nickel silver or nickel-plated

### Included with the cylinder

- Three serrated keys, for all key types, see chapter 'Keys with systems and clips'
- Security card for ownership registration and ordering duplicate keys
- Installation and maintenance instructions

### Order example

- PXP/OHZ\_SK/326/7/CR/... cylinder options

### Cylinder options as follows:

#### Technical system

##### - Premier systems

pextra plus (PXP)  
 pextra (PX)  
 AP2000 (AP2)  
 AP2000 (SYST)  
 ESP (ESP)  
 Profile 1 (P001)

##### - Legacy systems

ANS2000 (ANS2)  
 CNS2000 (CNS2)  
 HKS2000 (HKS2)

### Type cylinder

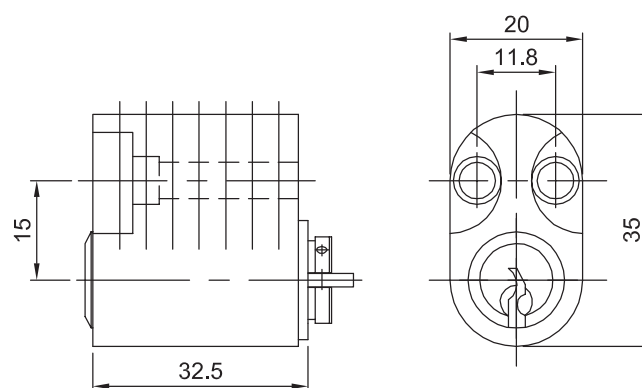
326 Sweden Rokoko (326)

### Number of pins

Five pins (5)  
 Six pins (6)  
 Seven pins (7)

### Surface cylinder

Nickel-plated (NI)  
 Brass, dull (MS)  
 Chrome-plated (CR)  
 Chrome, satin (CRM)  
 Chrome, polished (CRP)  
 Chrome, scotch (CRS)  
 Brass, polished (MP)



# Mortise Door Lock Cylinders

## Scandinavian Door Cylinders

G.OHZ\_SK.326 | Oval Single Cylinder 326, Rokoko, Sweden

Brass, brushed (MB)  
Bronzed light (BH)  
Bronzed medium (BM)  
Bronzed dark (BD)

### Surface barrel

Nickel-plated (NI)  
Brass, dull (MS)  
Chrome-plated/chrome (CR)  
Chrome, satin (CRM)  
Chrome, polished (CRP)  
Chrome, scotch (CRS)  
Brass, polished (MP)  
Brass, brushed (MB)  
Bronzed light (BH)  
Bronzed medium (BM)  
Bronzed (BD)

### Locking element

Side element (SE)

### Blocking pin

Active element for PX (PXA)  
Active element for PXP (PXPA)

### Economy style

Economy, no security pins (E)

### Screw type

Screw version (SCHRAUB)

### Locking function A

Self-changable cylinder (SUZ)  
Self-changable cylinder one-time (SUZ1)  
Two SUZ drillings (2 + 7)  
Reflex

### Seawater protection

Seawater resistant (SWF)

### Blind one side

Without one side blind  
One-sided blind side A (BL-A)

# Mortise Door Lock Cylinders

## Scandinavian Door Cylinders

G.OHZ\_SK.327 | Oval Single Cylinder 327, with Long Tailpiece, Sweden

### Application

For all mortise door locks in Nordic oval profile. The tailpiece operates the bolt and/or latch.

### Specification

- Housing chrome-plated and barrel in dull brass
- Serrated key made of nickel silver or nickel-plated

### Included with the cylinder

- Three serrated keys, for all key types, see chapter 'Keys with systems and clips'
- Security card for ownership registration and ordering duplicate keys
- Installation and maintenance instructions

### Order example

- PXP/OHZ\_SK/327/7/CR/... cylinder options

### Cylinder options as follows:

#### Technical system

##### - Premier systems

pextra plus (PXP)  
 pextra (PX)  
 AP2000 (AP2)  
 AP2000 (SYST)  
 ESP (ESP)  
 Profile 1 (P001)

##### - Legacy systems

ANS2000 (ANS2)  
 CNS2000 (CNS2)  
 HKS2000 (HKS2)

#### Type cylinder

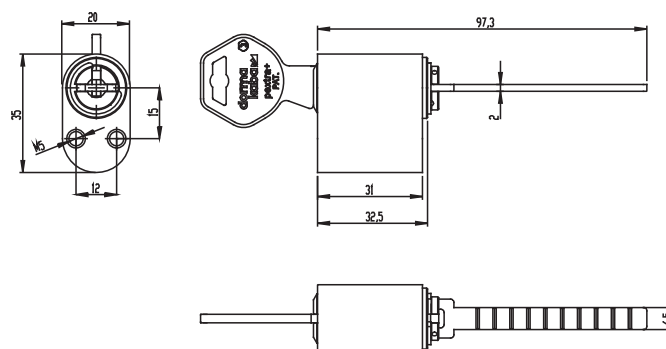
327 Sweden long tailpiece (327)

#### Number of pins

Five pins (5)  
 Six pins (6)  
 Seven pins (7)

#### Surface cylinder

Nickel-plated (NI)  
 Brass, dull (MS)  
 Chrome-plated (CR)  
 Chrome, satin (CRM)  
 Chrome, polished (CRP)  
 Chrome, scotch (CRS)  
 Brass, polished (MP)



# Mortise Door Lock Cylinders

## Scandinavian Door Cylinders

G.OHZ\_SK.327 | Oval Single Cylinder 327, with Long Tailpiece, Sweden

Brass, brushed (MB)  
Bronzed light (BH)  
Bronzed medium (BM)  
Bronzed dark (BD)

### Surface barrel

Nickel-plated (NI)  
Brass, dull (MS)  
Chrome-plated/chrome (CR)  
Chrome, satin (CRM)  
Chrome, polished (CRP)  
Chrome, scotch (CRS)  
Brass, polished (MP)  
Brass, brushed (MB)  
Bronzed light (BH)  
Bronzed medium (BM)  
Bronzed (BD)

### Locking element

Side element (SE)

### Blocking pin

Active element for PX (PXA)  
Active element for PXP (PXPA)

### Economy style

Economy, no security pins (E)

### Screw type

Screw version (SCHRAUB)

### Locking function A

Self-changable cylinder (SUZ)  
Self-changable cylinder one-time (SUZ1)  
Two SUZ drillings (2 + 7)  
Reflex

# Mortise Door Lock Cylinders

## Scandinavian Door Cylinders

G.OHZ\_SK.329 | Oval Single Cylinder 329, Rokoko, with Long Tailpiece, Sweden

### Application

For all mortise door locks in Nordic oval profile. The tailpiece operates the bolt and/or latch.

### Specification

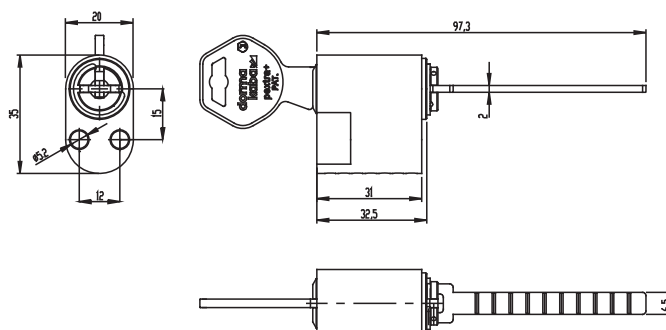
- Housing chrome-plated and barrel in dull brass
- Serrated key made of nickel silver or nickel-plated

### Included with the cylinder

- Three serrated keys, for all key types, see chapter 'Keys with systems and clips'
- Security card for ownership registration and ordering duplicate keys
- Installation and maintenance instructions

### Order example

- PXP/OHZ\_SK/329/7/CR/... cylinder options



### Cylinder options as follows:

#### Technical system

##### - Premier systems

pextra plus (PXP)  
 pextra (PX)  
 AP2000 (AP2)  
 AP2000 (SYST)  
 ESP (ESP)  
 Profile 1 (P001)

##### - Legacy systems

ANS2000 (ANS2)  
 CNS2000 (CNS2)  
 HKS2000 (HKS2)

#### Type cylinder

329 Sweden Rokoko long tailpiece (329)

#### Number of pins

Five pins (5)  
 Six pins (6)  
 Seven pins (7)

#### Surface cylinder

Nickel-plated (NI)  
 Brass, dull (MS)  
 Chrome-plated (CR)  
 Chrome, satin (CRM)  
 Chrome, polished (CRP)  
 Chrome, scotch (CRS)  
 Brass, polished (MP)

# Mortise Door Lock Cylinders

## Scandinavian Door Cylinders

G.OHZ\_SK.329 | Oval Single Cylinder 329, Rokoko, with Long Tailpiece, Sweden

Brass, brushed (MB)  
Bronzed light (BH)  
Bronzed medium (BM)  
Bronzed dark (BD)

### Surface barrel

Nickel-plated (NI)  
Brass, dull (MS)  
Chrome-plated/chrome (CR)  
Chrome, satin (CRM)  
Chrome, polished (CRP)  
Chrome, scotch (CRS)  
Brass, polished (MP)  
Brass, brushed (MB)  
Bronzed light (BH)  
Bronzed medium (BM)  
Bronzed (BD)

### Locking element

Side element (SE)

### Blocking pin

Active element for PX (PXA)  
Active element for PXP (PXPA)

### Economy style

Economy, no security pins (E)

### Screw type

Screw version (SCHRAUB)

### Locking function A

Self-changable cylinder (SUZ)  
Self-changable cylinder one-time (SUZ1)  
Two SUZ drillings (2 + 7)  
Reflex

# Mortise Door Lock Cylinders

## Union Profile Cylinders

### G.UDZ | Union Double Cylinder

#### Application

For all mortise door locks in British Union oval profile. The cam operates the latch and/or bolt of the door lock.

#### Specification

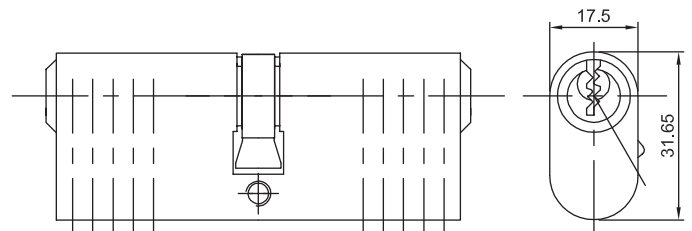
- Housing made from solid natural brass, surface nickel-plated
- Serrated key made of nickel silver or nickel-plated

#### Included with the cylinder

- Three serrated keys, for all key types, see chapter 'Keys with systems and clips'
- One cylinder fastening screw M5 × 70 mm
- Security card for ownership registration and ordering duplicate keys
- Installation and maintenance instructions

#### Order example

- PXP/UDZ/5/30/30/NI/SE/... cylinder options



#### Cylinder options as follows:

##### Technical system

##### - Premier systems

pextra plus (PXP)  
 pextra (PX)  
 AP2000 (AP2)  
 AP2000 (SYST)  
 ESP (ESP)  
 Profile 1 (P001)

##### - Legacy systems

ANS2000 (ANS2)  
 CNS2000 (CNS2)  
 AP3000 (AP3)  
 AP4000 (AP4)

##### Number of pins

Five pins (5)  
 Six pins (6)

##### Length A 17 mm EU

##### - Standard lengths per side:

30, 31.5, 35.5 and 40 mm

##### Surface DZ side A

Nickel-plated (NI)  
 Brass, dull (MS)  
 Chrome-plated (CR)  
 Chrome, satin (CRM)

# Mortise Door Lock Cylinders

## Union Profile Cylinders

### G.UDZ | Union Double Cylinder

Chrome, polished (CRP)  
Chrome, scotch (CRS)  
Brass, polished (MP)  
Brass, brushed (MB)  
Bronzed light (BH)  
Bronzed medium (BM)  
Bronzed dark (BD)

#### **Surface barrel**

Nickel-plated (NI)  
Brass, dull (MS)  
Chrome-plated/chrome (CR)  
Chrome, satin (CRM)  
Chrome, polished (CRP)  
Chrome, scotch (CRS)  
Brass, polished (MP)  
Brass, brushed (MB)  
Bronzed light (BH)  
Bronzed medium (BM)  
Bronzed (BD)

#### **Coupling function**

Standard coupling

#### **Locking element**

Side element (SE)

#### **Blocking pin**

Active element for PX (PXA)  
Active element for PXP (PXPA)

#### **Economy style**

Economy, no security pins (E)  
No, four security pins and S-pinning

#### **Cylinder fastening screw**

Without cylinder fastening screw (no\_BS)  
Screw M5 × 50 mm (BS\_M5x50)  
Screw M5 × 70 mm (BS\_M5x70)



# Mortise Door Lock Cylinders

## Union Profile Cylinders

### G.UDKZ | Union Thumbturn Cylinder

#### Application

For all mortise door locks in British Union oval profile. The cam operates the latch and/or bolt of the door lock. The knob operates the lock from the inside without a key.

#### Specification

- Housing made from solid natural brass, surface nickel-plated
- Serrated key made of nickel silver or nickel-plated
- Round knob

#### Included with the cylinder

- Three serrated keys, for all key types, see chapter 'Keys with systems and clips'
- One cylinder fastening screw M5 × 70 mm
- Security card for ownership registration and ordering duplicate keys
- Installation and maintenance instructions

#### Order example

- PXP/UDKZ/5/30/30/NI/SE/... cylinder options

#### Cylinder options as follows:

#### Technical system

##### - Premier systems

pextra plus (PXP)

pextra (PX)

AP2000 (AP2)

AP2000 (SYST)

Profile 1 (P001)

##### - Legacy systems

ANS2000 (ANS2)

CNS2000 (CNS2)

AP3000 (AP3)

#### Number of pins

Five pins (5)

Six pins (6)

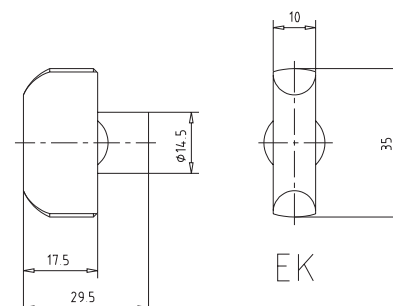
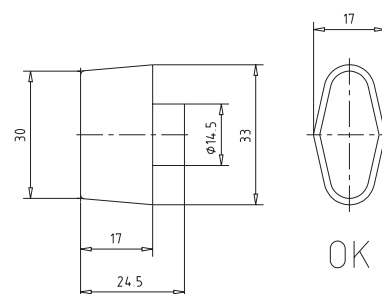
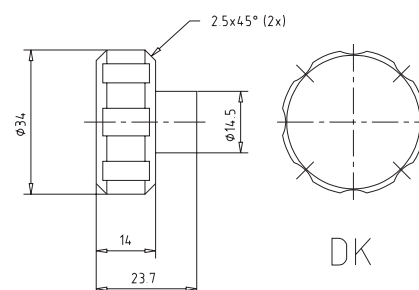
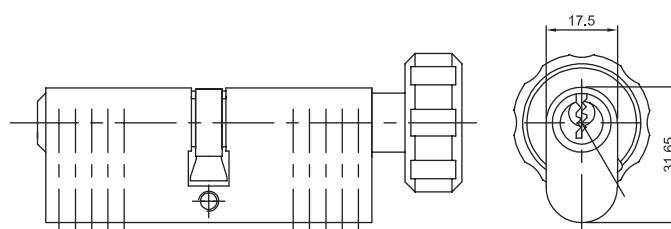
#### Length A 17 mm EU

##### - Standard lengths per side:

31.5, 35.5, 40, 45 and 50 mm

##### - Further lengths side A:

70 mm



# Mortise Door Lock Cylinders

## Union Profile Cylinders

### G.UDKZ | Union Thumbturn Cylinder

#### Surface DZ side A

Nickel-plated (NI)  
 Brass, dull (MS)  
 Chrome-plated (CR)  
 Chrome, satin (CRM)  
 Chrome, polished (CRP)  
 Chrome, scotch (CRS)  
 Brass, polished (MP)  
 Brass, brushed (MB)  
 Bronzed light (BH)  
 Bronzed medium (BM)  
 Bronzed dark (BD)

#### Surface barrel

Nickel-plated (NI)  
 Brass, dull (MS)  
 Chrome-plated/chrome (CR)  
 Chrome, satin (CRM)  
 Chrome, polished (CRP)  
 Chrome, scotch (CRS)  
 Brass, polished (MP)  
 Brass, brushed (MB)  
 Bronzed light (BH)  
 Bronzed medium (BM)  
 Bronzed (BD)

#### Knob/thumbturn side B

Without thumbturn (KK)  
 Rectangular knob (EK)  
 Round knob (RKG)  
 Oval knob (OK)  
 Small round knob (KRK)  
 Freedom knob (FK)  
 Freedom easy knob (FEK)  
 Oval profile knob (OPK)  
 EURO knob (EURO)  
 D-LINE knob (OKD)

#### Thumbturn fixation B

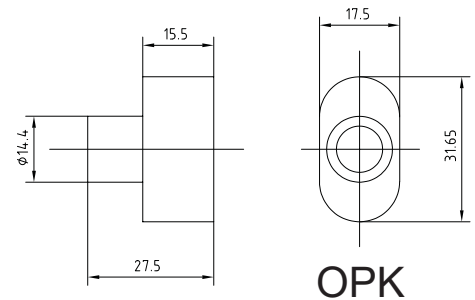
Knob fix  
 Knob demountable (DK-ABN)

#### Locking element

Side element (SE)

#### Blocking pin

Active element for PX (PXA)  
 Active element for PXP (PXPA)



# Mortise Door Lock Cylinders

## Union Profile Cylinders

G.UDKZ | Union Thumbturn Cylinder

**Economy style**

Economy, no security pins (E)

No, four security pins and S-pinning

**Wear-resistant barrel A**

Wear-resistant barrel side A (VK-A)

**Cylinder fastening screw**

Screw M5 × 70 mm (BS\_M5x70)

# Mortise Door Lock Cylinders

## Union Profile Cylinders

### G.UHZ | Union Single Cylinder

#### Application

For all mortise door locks in British Union oval profile. The cam operates the latch and/or bolt of the door lock.

#### Specification

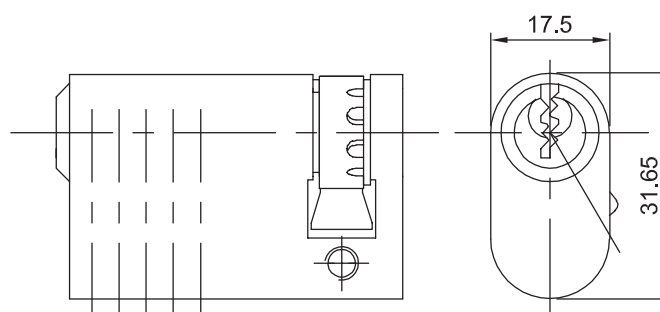
- Housing made from solid natural brass, surface nickel-plated
- Serrated key made of nickel silver or nickel-plated

#### Included with the cylinder

- Three serrated keys, for all key types, see chapter 'Keys with systems and clips'
- One cylinder fastening screw M5 × 70 mm
- Security card for ownership registration and ordering duplicate keys
- Installation and maintenance instructions

#### Order example

- PXP/UDHZ/5/30/NI/SE/... cylinder options



#### Cylinder options as follows:

##### Technical system

##### - Premier systems

pextra plus (PXP)  
 pextra (PX)  
 pextra3 (PX3)  
 AP2000 (AP2)  
 AP2000 (SYST)  
 Profile 1 (PO01)

##### - Legacy systems

ANS2000 (ANS2)  
 CNS2000 (CNS2)  
 AP3000 (AP3)  
 AP4000 (AP4)

##### Number of pins

Five pins (5)  
 Six pins (6)

##### Length A 17 mm EU

##### - Standard lengths per side:

30, 31.5, 35.5 and 40 mm

##### Surface cylinder

Nickel-plated (NI)  
 Brass, dull (MS)  
 Chrome-plated (CR)  
 Chrome, satin (CRM)

# Mortise Door Lock Cylinders

## Union Profile Cylinders

### G.UHZ | Union Single Cylinder

Chrome, polished (CRP)  
Chrome, scotch (CRS)  
Brass, polished (MP)  
Brass, brushed (MB)  
Bronzed light (BH)  
Bronzed medium (BM)  
Bronzed dark (BD)

#### **Surface barrel**

Nickel-plated (NI)  
Brass, dull (MS)  
Chrome-plated/chrome (CR)  
Chrome, satin (CRM)  
Chrome, polished (CRP)  
Chrome, scotch (CRS)  
Brass, polished (MP)  
Brass, brushed (MB)  
Bronzed light (BH)  
Bronzed medium (BM)  
Bronzed (BD)

#### **Locking element**

Side element (SE)

#### **Blocking pin**

Active element for PX (PXA)  
Active element for PXP (PXPA)

#### **Economy style**

Economy, no security pins (E)  
No, four security pins and S-pinning

#### **Cylinder fastening screw**

Screw M5 × 50 mm (BS\_M5x50)  
Screw M5 × 70 mm (BS\_M5x70)

# Mortise Door Lock Cylinders

## Round Cylinders / Screw-In Cylinders

### G.SCHRZ | Screw-In Cylinder

#### Application

For Union, Yale and Adams Rite surface-mounted door locks

The cam operates the bolt from the outside.

#### Specification

- Housing made from solid natural brass, surface nickel-plated
- House made of dull brass or nickel-plated, 1-5/32 32TPI outside thread
- Serrated key made of nickel silver or nickel-plated
- Length 25 mm with five pins only

#### Included with the cylinder

- Three serrated keys, for all key types, see chapter 'Keys with systems and clips'
- Security card for ownership registration and ordering duplicate keys
- Installation and maintenance instructions
- Cam

#### Order example

PXP/5/SCHRZ/NI/SE/UNION/... cylinder options

#### Cylinder options as follows:

#### Technical system

##### - Premier systems

pextra plus (PXP)

pextra (PX)

AP2000 (SYST)

ESP (ESP)

Profile 1 (P001)

##### - Legacy systems

ANS2000 (ANS2)

CNS2000 (CNS2)

AP2000 (AP2)

#### Number of pins

Five pins (5)

Six pins (6)

#### Length furniture cylinder

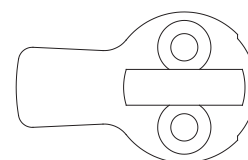
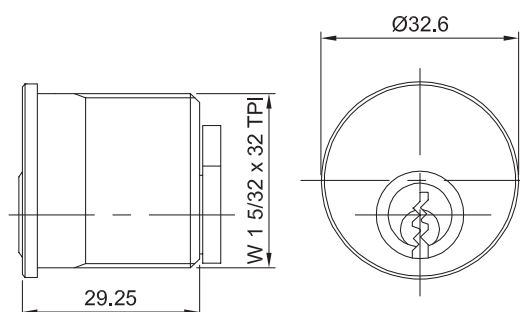
25,0

29,0

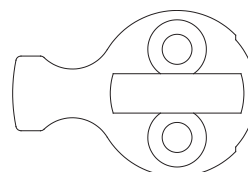
35,0

40,0

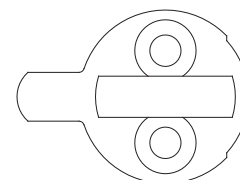
45,0



Cam for Union lock



Cam for Yale lock



Cam for Adams Rite lock

# Mortise Door Lock Cylinders

## Round Cylinders / Screw-In Cylinders

### G.SCHRZ | Screw-In Cylinder

**Surface cylinder**

Nickel-plated (NI)

Brass, brushed (MB)

**Cam**

Union (UNION)

Yale (YALE)

Adams (ADAMS)

**Locking element**

Side element (SE)

**Blocking pin**

Active element for PX (PXA)

Active element for PXP (PXPA)

**Economy style**

Economy, no security pins (E)

No, four security pins and S-pinning

# Camlocks

## G.BMZ | Camlock Cylinder

### Application

For all enclosures with sheet metal doors, such as mailboxes, lockers, control cabinets, etc.  
Easy installation with slip-in support plate and set screws which serve as cam stops

### Specification

- Housing made from solid natural brass, surface nickel-plated
- Serrated key made of nickel silver or nickel-plated
- Round rosette
- Standard cam, drawing 210.210.701

### Included with the cylinder

- Two ea. serrated keys, for all key types, see chapter 'Keys with system and clips'
- One support plate
- One cam
- Set and stop screws
- Security card for ownership registration and ordering duplicate keys
- Installation and maintenance instructions

### Order example

- PXP/BMZ/5/L/NI/210.210.701/RMO/SE/ ... cylinder options

### Cylinder options as follows:

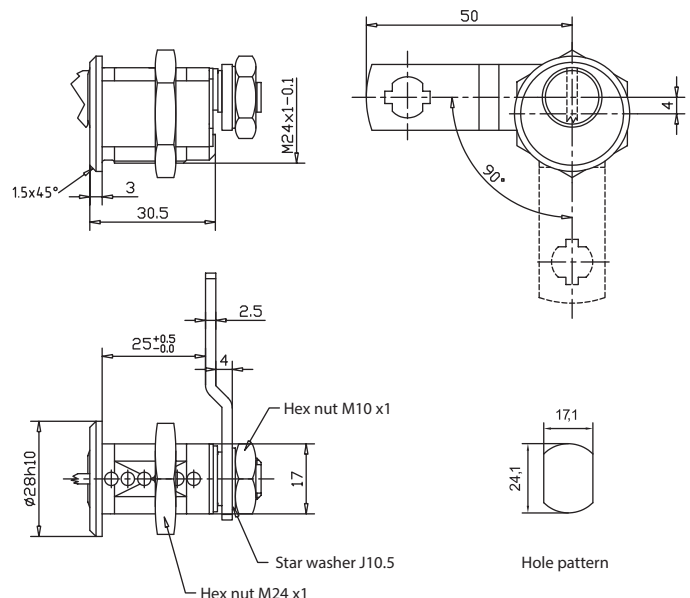
#### Technical system

##### - Premier systems

pextra plus (PXP)  
pextra (PX)  
pextra3 (PX3)  
AP2000 (AP2)  
AP2000 (SYST)  
ESP (ESP)  
AP2pro (AP2pro)  
APN (APN)  
Profile 1 (P001)

##### - Legacy systems

ANS2000 (ANS2)  
ANS3000 (ANS3)  
ANS4000 (ANS4)  
CNS2000 (CNS2)  
HKS2000 (HKS2)  
HKS4000 (HKS4)  
AP3000 (AP3)  
AP4000 (AP4)



With 5 pins



# Camlocks

## G.BMZ | Camlock Cylinder

### System type

Standard  
Pre-assembled (VOM)

### Number of pins

Five pins (5)  
Six pins (6)  
Seven pins (7)

### Locking direction

Right (R)  
Left (L)

### Surface cylinder

Brass, dull (MS)  
Chrome-plated (CR)  
Brass, polished (MP)  
Bronzed medium (BM)

### Cams

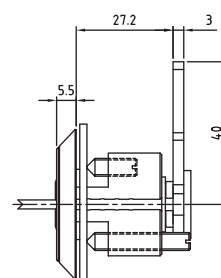
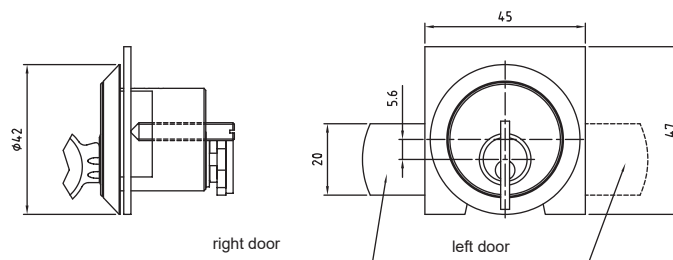
Ohne Riegel (O\_CAM)  
Cam Z210.027.701, cam, 57 mm long  
Cam Z210.027.702, cam, 72 mm long  
Cam Z210.027.705, cam, 54 mm long  
Cam Z210.027.710, cam, 52.5 mm long  
Cam Z210.027.711, cam, 47.5 mm long  
Cam Z210.027.712, cam, 47.5 mm long  
Cam Z210.027.714, cam, 57.5 mm long  
Cam Z210.028.710, cam, 43 mm long  
Cam Z210.197.701, cam, 39 mm long  
Cam Z210.210.704, cam, 55 mm long  
Cam Z210.213.701, cam, 54 mm long  
Cam Z210.212.701, execution: SK  
Cam Z210.213.703.(H), cam, 43 mm long  
Cam Z210.028.712 JU-1090, for mailbox type Junie I  
Cam Z210.028.707RI-1090, for mailbox type Renz I  
Cam Z210.028.708RII-1090, for mailbox type Renz II  
Cam ZG028717/1, cam, 37.8 mm long  
Cam ZG201754, BM cylinder for emergency key cabinets  
Cam ZG210701, cam, 53 mm long  
Cam DG027703, EVN-type 3

### Cam fastened

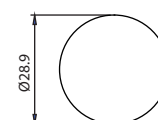
Cam mounted (RMO)  
Cam unmounted (RLO)

### Locking element

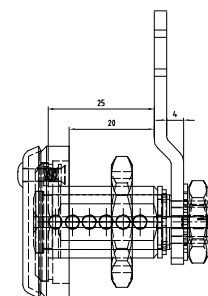
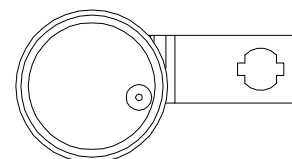
Side element (SE)



Installation hole



With 6 pins



With weather protection cap

# Camlocks

## G.BMZ | Camlock Cylinder

### Locking function A

Self-changable cylinder (SUZ)

Self-changable cylinder one-time (SUZ1)

### Special function

Paediatrics clinic (KIKL)

### Seawater protection

Seawater resistant (SWF)

### Weather protection

Protection cover (SKL)

With cover Z (SKLZ)

With cover BB (SKLBB)

### Mounting type accessories

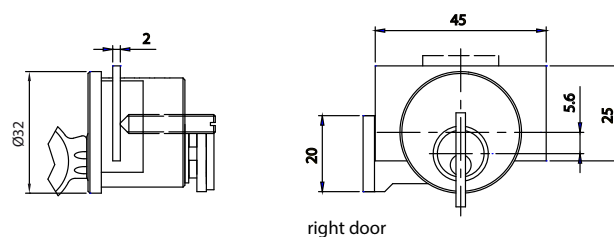
Accessories mounted (ZMO)

Accessories unmounted (ZLO)

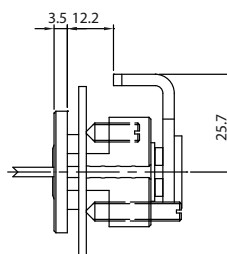
### Rosette

Without rosette (O\_RO)

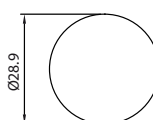
Rosette, round BMZ (R\_RO)



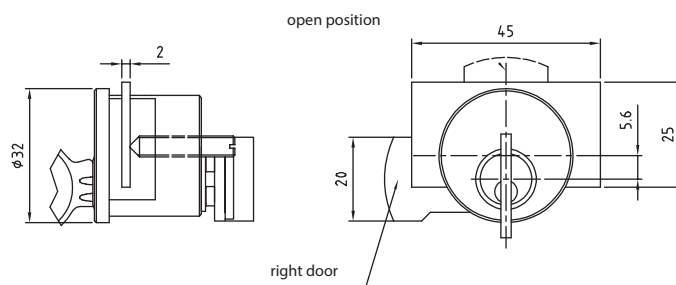
right door



Installation hole

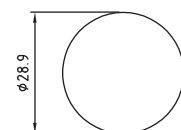
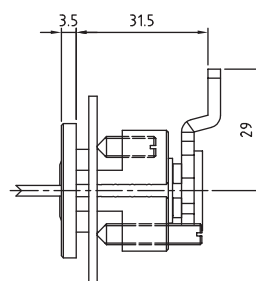


BMZ/GP/R/I for Renz I mailboxes



open position

right door



BMZ/GP/R/II for Renz II mailboxes

# G.BMZ | Cams

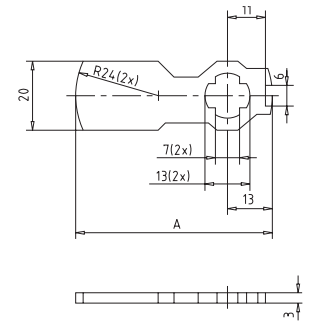
Description / Order code

Dim. A

Dim. Drawing

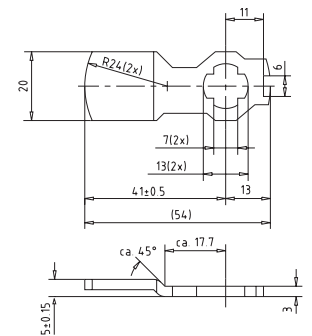
Z210.027.701  
 Z210.197.701  
 Z210.028.710  
 Z210.027.712  
 Z210.210.701  
 Z210.027.714  
 Z210.027.702

57 mm  
 39 mm  
 43 mm  
 47.5 mm  
 53 mm  
 57,5 mm  
 72 mm



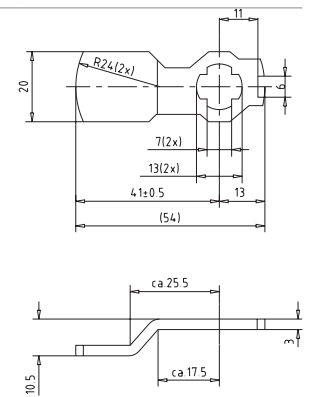
Z210.027.711  
 Z210.027.705

47,5 mm  
 54 mm

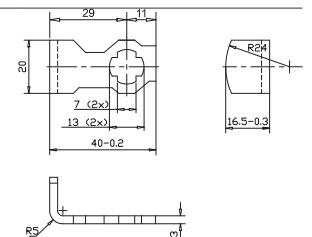


Z210.213.703

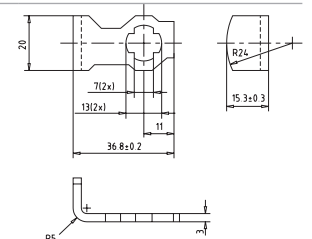
43 mm



Z210.028.712 JUNI I



Z210.028.707 RENZ I

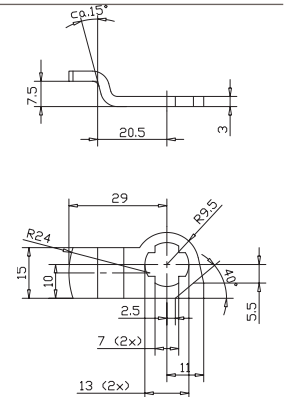
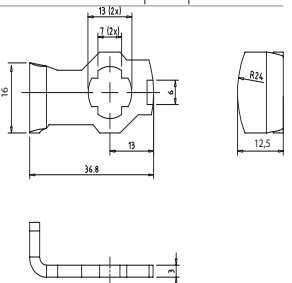
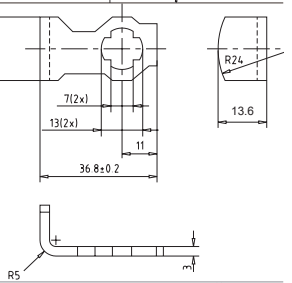
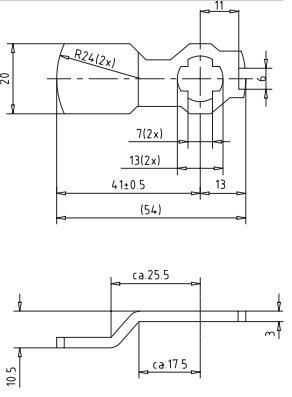
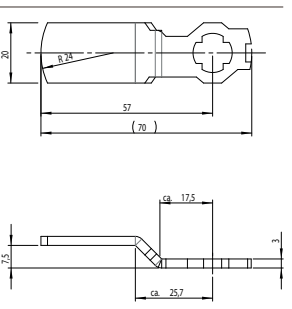


# G.BMZ | Cams

Description / Order code

Dim. A

Dim. Drawing

<p>Z210.028.708 RENZ II</p>	<p>39 mm</p>	
<p>Z210.028.717/1</p>	<p>36,8 mm</p>	
<p>Z210.201.754</p>	<p>36,8 mm</p>	
<p>Z210.213.701</p>	<p>54 mm</p>	
<p>Z210.027.703</p>	<p>70 mm</p>	

# G.BMZ | Cams

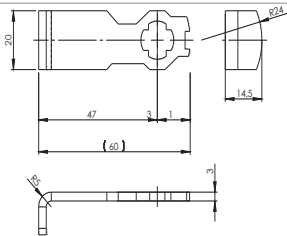
Description / Order code

Dim. A

Dim. Drawing

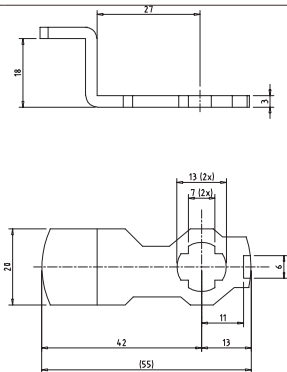
Z210.212.701

60 mm



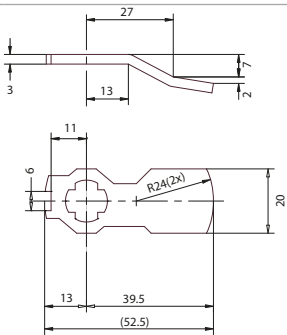
Z210.210.704

55 mm



Z210.027.710

52,5 mm

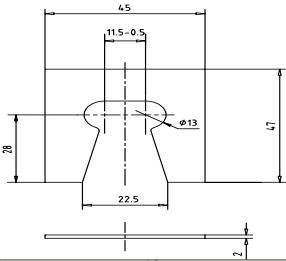


# Installation Plates for BMZ

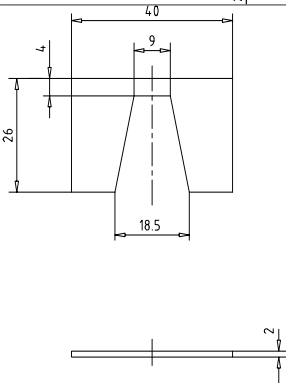
Description / Order code

Dim. Drawing

Z210.703-PL



Z028.714-PL



# Camlocks

## G.BMZ1 | Camlock Cylinder 1

### Application

For all enclosures with sheet metal doors, such as mailboxes, lockers, control cabinets, etc.

Easy installation with slip-in support plate and set screws which serve as cam stops

### Specification

- Housing made from solid natural brass, surface nickel-plated
- Serrated key made of nickel silver or nickel-plated
- Standard cam according to drawing 210.201.701 unless ordered otherwise

### Included with the cylinder

- Two ea. serrated keys, for all key types, see chapter 'Keys with system and clips'
- One hex fastening nut
- One cam with adjusting nut
- Security card for ownership registration and ordering duplicate keys
- Installation and maintenance instructions

### Order example

- PXP/BMZ1/5/L/NI/Z210.201.701/RMO/SE/ ... cylinder options

### Cylinder options as follows:

#### Technical system

##### - Premier systems

pextra plus (PXP)

pextra (PX)

pextra3 (PX3)

AP2000 (AP2)

AP2000 (SYST)

ESP (ESP)

AP2pro (AP2pro)

APN (APN)

Profile 1 (PO01)

##### - Legacy systems

ANS2000 (ANS2)

ANS3000 (ANS3)

ANS4000 (ANS4)

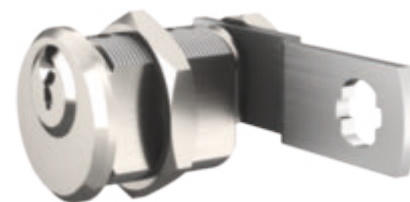
CNS2000 (CNS2)

HKS2000 (HKS2)

HKS4000 (HKS4)

AP3000 (AP3)

AP4000 (AP4)



With weather protection cap



Key switch cylinder SZ1 and SZ2



Key switch with bracket (AG004)





# Camlocks

## G.BMZ1 | Camlock Cylinder 1

### Cam fastened

- Cam mounted (RMO)
- Cam unmounted (RLO)

### Key removal

- SZ1
- SZ2

### Locking element

- Side element (SE)

### Blocking pin

- Active element for PX (PXA)
- Active element for PXP (PXPA)

### Locking function A

- Self-changable cylinder (SUZ)
- Self-changable cylinder one-time (SUZ1)

### Seawater protection

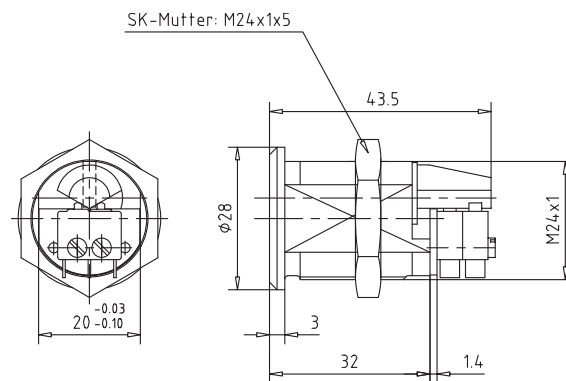
- Seawater resistant (SWF)

### Weather protection

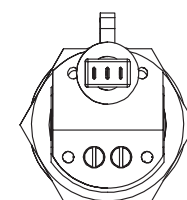
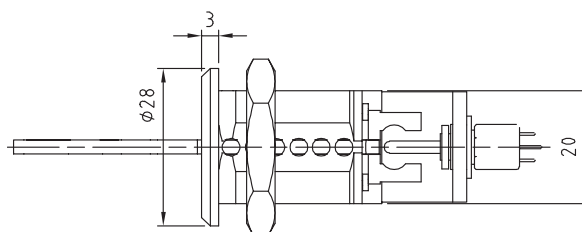
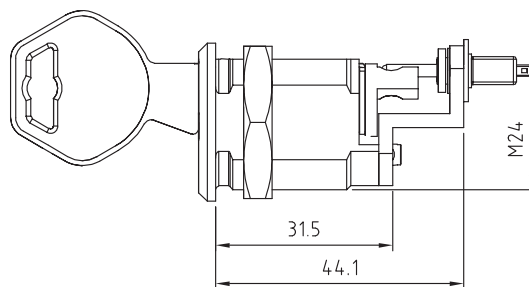
- Protection cover (SKL)

### Installed

- Standard
- Mounted in key deposit tube KD
- Mounted in HBFA (HBFA)



Key switch cylinder with two retractions (SZ2)



Key switch cylinder with switch bracket AG004

# Camlocks

## G.BMZ1\_KP | Camlock Cylinder 1, Small Profile

### Application

For all enclosures with sheet metal doors, such as mailboxes, lockers, control cabinets, etc.  
Easy installation with slip-in support plate and set screws which serve as cam stops

### Specification

- Housing made from solid natural brass, surface nickel-plated
- Serrated key made of nickel silver or nickel-plated

### Included with the cylinder

- Two ea. serrated keys, for all key types, see chapter 'Keys with system and clips'
- One hex fastening nut
- One cam with adjusting nut
- Security card for ownership registration and ordering duplicate keys
- Installation and maintenance instructions

### Order example

- SYST/BMZ1\_KP/5/L/NI/Z210.023.701/RMO/ ... cylinder options

### Cylinder options as follows:

#### Technical system

AP2000 (SYST)

#### Number of pins

4  
Five pins (5)

#### Locking direction

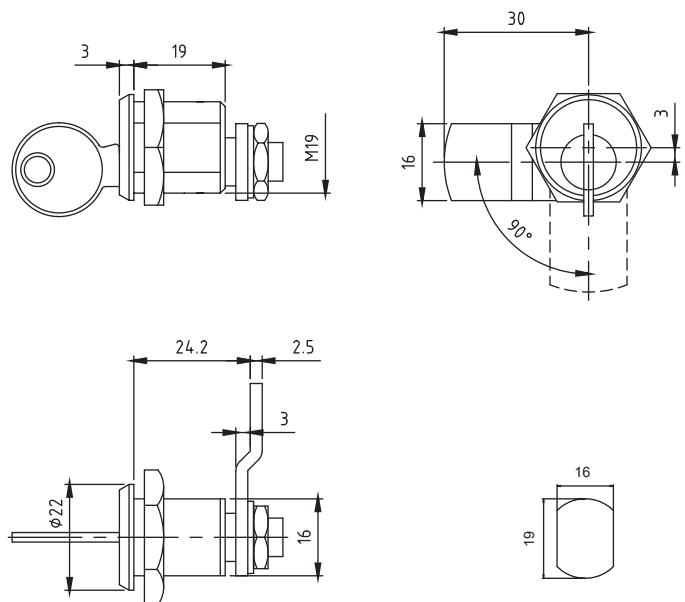
Right (R)  
Left (L)

#### Surface cylinder

Nickel-plated (NI)  
Brass, dull (MS)

#### Cams

Ohne Riegel (O\_CAM)  
Cam Z210.023.701 40 mm (Z210.023.701)  
Cam Z210.023.702, cam, 37.5 mm long  
Cam Z210.023.704 40 mm (Z210.023.704)  
Cam Z210.023.705 34 mm (Z210.023.705)  
Cam Z210.023.708 48 mm (Z210.023.708)  
Cam Z210.200.705 50 mm (Z210.200.705)



# Camlocks

## G.BMZ1\_KP | Camlock Cylinder 1, Small Profile

Cam Z210.201.701 60.5 mm (Z210.201.701)  
Cam Z210.201.702 39 mm (Z210.201.702)  
Cam Z210.201.703 60.5 mm (Z210.201.703)  
Cam Z210.201.713 Wertheim (Z210.201.713)  
Cam Z210.201.714 59 mm (Z210.201.714)  
Cam Z210.201.715 60 mm (Z210.201.715)  
Cam Z210.201.716 35 mm (Z210.201.716)  
Cam Z210.201.719 60 mm (Z210.201.719)  
Cam Z210.201.726 43 mm (Z210.201.726)  
Cam Z210.201.730 45 mm (Z210.201.730)  
Cam Z210.201.738, cam, 58 mm long  
Cam Z210.201.747 RENZ I (Z210.201.747)  
Cam Z210.201.780 fire brigade (Z210.201.780)  
Cam Z210.201.785 75 mm (Z210.201.785)  
Cam Z210.201.788 41 mm (Z210.201.788)  
Cam Z210.201.788/1 41 mm (Z210.201.788/1)  
Cam Z210.201.743 JUNIE I (Z210.201.743)  
Cam Z210.201.742 JUNIE II (Z210.201.742)  
Cam Z210.201.748 RENZ II (Z210.201.748)

### **Cam fastened**

Cam mounted (RMO)  
Cam unmounted (RLO)

# G.BMZ1 | Cams

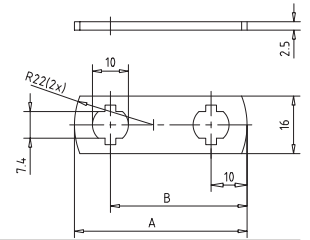
Description / Order code

Dim. A

Dim. Drawing

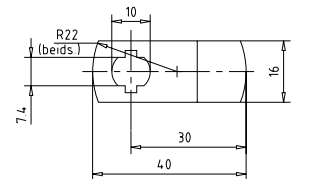
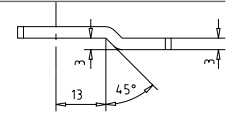
Z210.201.701  
 Z210.023.702  
 Z201.023.704  
 Z210.201.726  
 Z210.201.730  
 Z210.023.708  
 Z201.200.705

60,5 mm  
 37,5 mm  
 40 mm  
 43 mm  
 45 mm  
 48 mm  
 50 mm



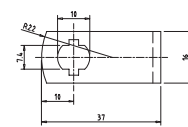
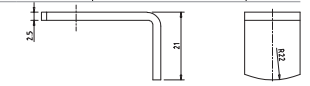
Z210.023.701

40 mm



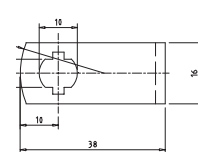
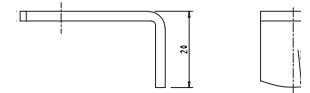
Z210.201.743 JU I

37 mm



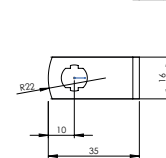
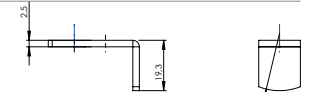
Z210.201.742 JU II

38 mm



Z210.201.747 R I

35 mm

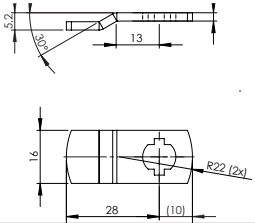
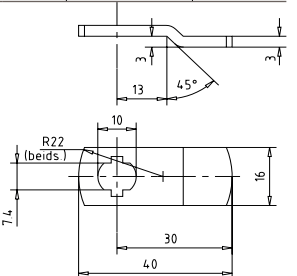
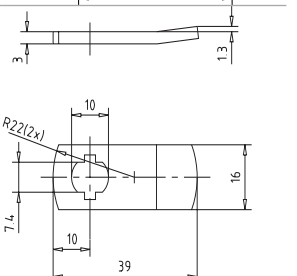
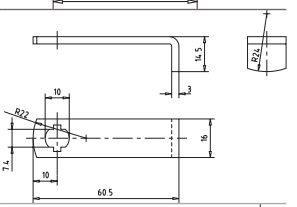
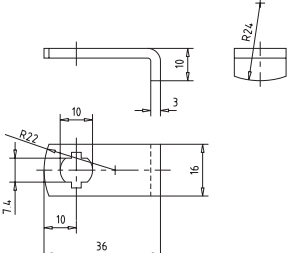
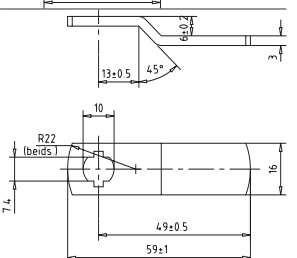


# G.BMZ1 | Cams

Description / Order code

Dim. A

Dim. Drawing

Z210.201.748 R II	38 mm	
Z210.023.701	40 mm	
Z210.201.702	39 mm	
Z210.201.703	60,5 mm	
Z210.201.713	36 mm	
Z210.201.714	59 mm	

# G.BMZ1 | Cams

Description / Order code

Dim. A

Dim. Drawing

<p>Z210.210.715</p>	<p>60 mm</p>	
<p>Z210.201.719</p>	<p>60 mm</p>	
<p>Z210.201.785</p>	<p>75 mm</p>	
<p>Z210.201.780</p>	<p>43 mm</p>	
<p>Z210.201.738</p>	<p>50 mm</p>	

# G.BMZ1 | Cams

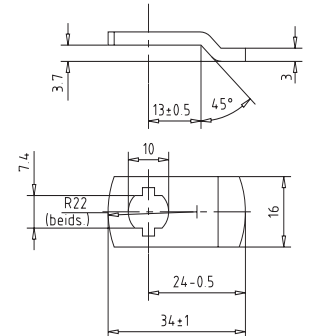
Description / Order code

Dim. A

Dim. Drawing

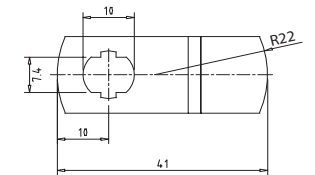
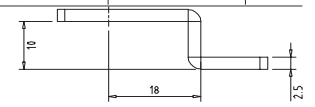
Z210.023.705

34 mm



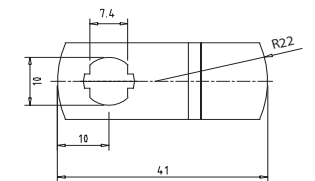
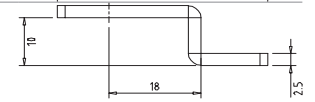
Z210.201.788

41 mm



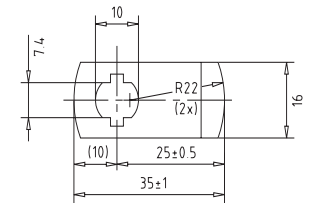
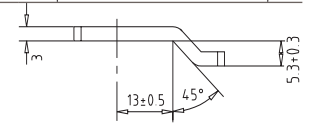
Z210.201.788/1

41 mm



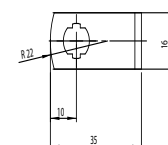
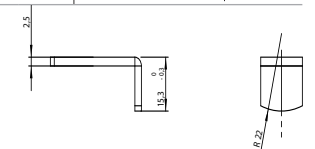
Z210.201.716

35 mm



Z210.201.798

35 mm



# G.BMZ1 | Cams

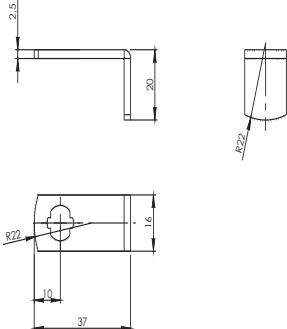
Description / Order code

Dim. A

Dim. Drawing

Z210.201.7A05

37 mm





# Padlocks

## G.VHZ.45 | Padlock 45

### Application

Suitable for universal use inside and outside

### Specification

- Housing made of solid brass, chrome-plated
- Barrel made of brass, nickel-plated
- Shackle made of hardened or stainless steel, not spring loaded
- Shackle diameter 8 mm
- Key is required to open and lock the padlock.
- Key made from nickel silver with cornered bow

### Included with the cylinder

- Two ea. serrated keys, for all key types, see chapter 'Keys with system and clips'
- Security card for ownership registration and ordering duplicate keys
- Installation and maintenance instructions

### Order example

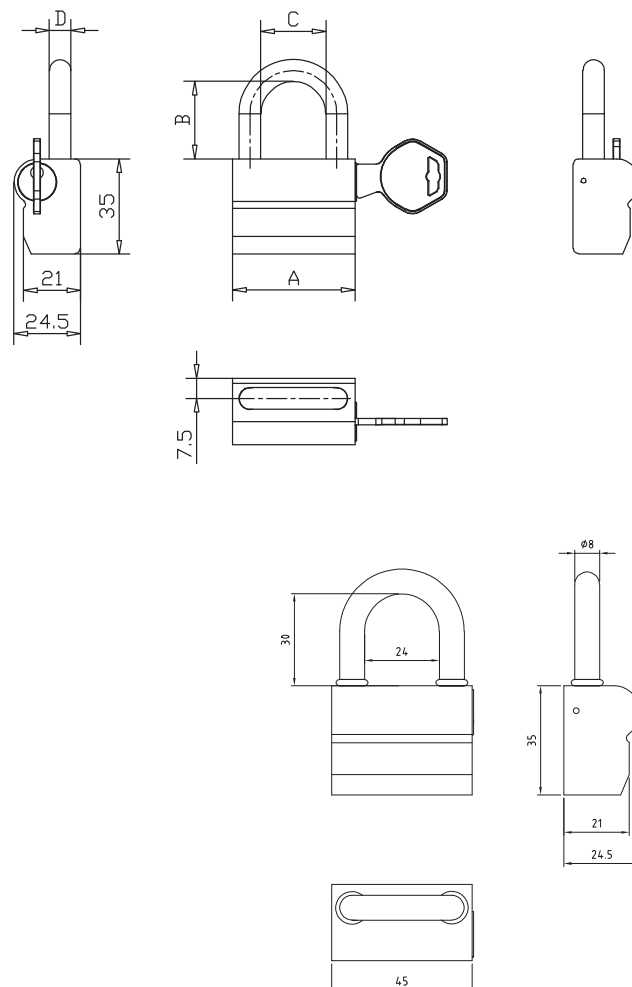
- PXP/VHZ/45/5/CR/30/HS/SE/ ... cylinder options

### Options as follows:

Clear shackle height	Shackle width	Shackle type	Type cylinder
30 mm 70 mm	24 mm	Shackle hardened steel (HS)	Housing 45 mm wide (45)
30 mm 70 mm	24 mm	Stainless steel (RF)	Housing 45 mm wide (45)

### Technical system

- pextra (PX)
- AP2000 (SYST)
- ANS2000 (ANS2)
- CNS2000 (CNS2)
- HKS2000 (HKS2)
- HKS4000 (HKS4)
- ANS4000 (ANS4)
- pextra3 (PX3)
- AP2000 (AP2)
- AP3000 (AP3)
- AP4000 (AP4)
- APN (APN)
- pextra plus (PXP)
- ESP (ESP)
- AP2pro (AP2pro)



With O-rings as rain protection AG0005

# Padlocks

## G.VHZ.45 | Padlock 45

**Type cylinder**

Housing 45 mm wide (45)

**System type**

Standard

Pre-assembled (VOM)

**Number of pins**

Five pins (5)

Six pins (6)

**Surface cylinder**

Chrome-plated (CR)

**Length of shackle**

30

70

**Shackle type**

Shackle hardened steel (HS)

Shackle stainless (RF)

**Locking element**

Side element (SE)

**Locking function A**

Self-changable cylinder (SUZ)

Self-changable cylinder one-time (SUZ1)

**Dust cover**

Dust and splash protection side A (SSW-A)

**Pin special**

Anti-bumping pin (SG)

**Application/Drawing**

Rain protection (AG005)

# Furniture Cylinders and Locks

## G.MZ.1080 | Furniture Cylinder 1080

### Application

For furniture lock series 1345 and 2345. The cam operates the locking mechanism of the furniture lock.

### Specification

- Housing made from solid natural brass, surface nickel-plated
- Serrated key made of nickel silver
- With cam

### Included with the cylinder

- Two serrated keys, for all key types, see chapter 'Keys with systems and clips'
- Security card for ownership registration and ordering duplicate keys
- Installation and maintenance instructions

### Order example

PXP/MZ/1080/5/26,5/NI/M1345/SE... cylinder options

### Cylinder options as follows:

#### Technical system

##### - Premier systems

pextra plus (PXP)  
pextra (PX)  
AP2000 (AP2)  
AP2000 (SYST)  
AP2pro (AP2pro)

##### - Legacy systems

ANS2000 (ANS2)  
CNS2000 (CNS2)  
HKS2000 (HKS2)  
AP3000 (AP3)

#### Type cylinder

1080 (1080)

#### Number of pins

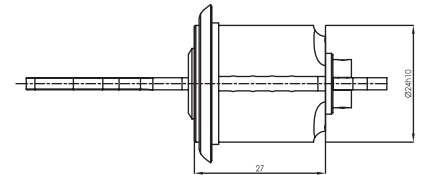
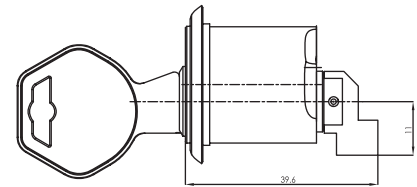
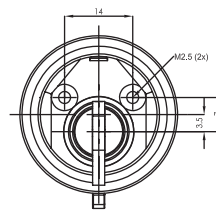
Five pins (5)  
Six pins (6)

#### Locking direction

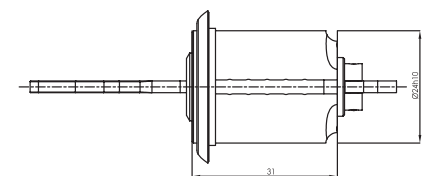
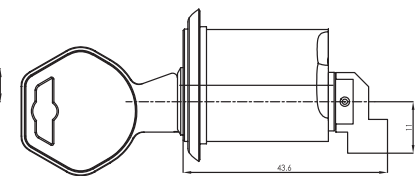
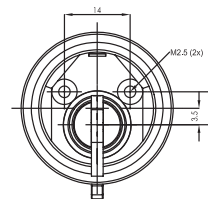
Without closing direction

#### Length furniture cylinder

26,5  
31,5



5 pins



6 pins

# Furniture Cylinders and Locks

G.MZ.1080 | Furniture Cylinder 1080

**Surface cylinder**

Nickel-plated (NI)

Brass, dull (MS)

Brass, polished (MP)

**Cam**

Cam 1345 210.000.705 (M1345)

Cam 2345 210.010.708 (M2345)

**Locking element**

Side element (SE)

# Furniture Cylinders and Locks

## G.MZ.1350 | Furniture Cylinder 1080 for 1350

### Application

For furniture lock series 1350. The cam 1350 operates the locking mechanism of the furniture lock.

The closing direction can be selected.

### Specification

- Housing made from solid natural brass, surface nickel-plated
- Serrated key made of nickel silver
- With cam

### Included with the cylinder

- Two serrated keys, for all key types, see chapter 'Keys with systems and clips'
- Security card for ownership registration and ordering duplicate keys
- Installation and maintenance instructions

### Order example

PXP/MZ/1350/5/R/27/MS/M1350/SE/... cylinder options

### Cylinder options as follows:

Type cylinder	Closing directions	Locking direction
1080 for 1350	Undefined	
1350		S = drawer upward Right (R) Left (L)

### Technical system

#### - Premier systems

pextra plus (PXP)

pextra (PX)

AP2000 (AP2)

AP2000 (SYST)

AP2pro (AP2pro)

#### - Legacy systems

ANS2000 (ANS2)

CNS2000 (CNS2)

HKS2000 (HKS2)

AP3000 (AP3)

### Type cylinder

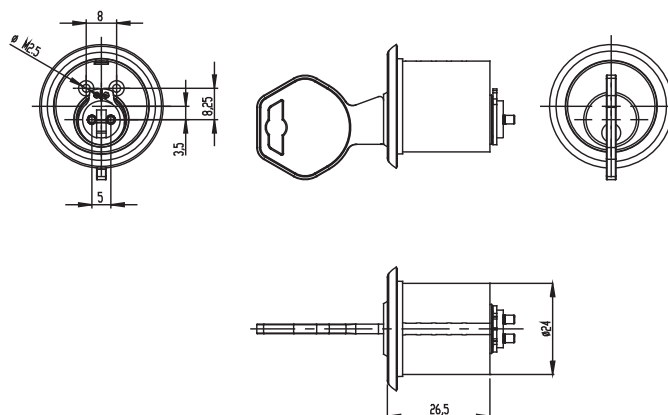
1350 (1350)

1080 for 1350 (1080\_1350)

### System type

Standard

Not assembled (UNMONT)



# Furniture Cylinders and Locks

G.MZ.1350 | Furniture Cylinder 1080 for 1350

**Number of pins**

Five pins (5)

Six pins (6)

Seven pins (7)

**Locking direction**

Without closing direction

Right (R)

Left (L)

**Length furniture cylinder**

27,0

31,5

36,5

41,5

46,5

**Surface cylinder**

Nickel-plated (NI)

Brass, dull (MS)

Brass, polished (MP)

Bronzed medium (BM)

**Cam**

Cam 1350 with two pins (M1350)

**Locking element**

Side element (SE)

# Furniture Cylinders and Locks

## G.MZ.2345 | Furniture Cylinder 1080 for 2345

### Application

For furniture lock series 2345. The cam 2345 operates the locking mechanism of the furniture lock.

The closing direction can be selected.

### Specification

- Housing supplied in solid natural brass or nickel-plated
- Serrated key made of nickel silver
- With cam

### Included with the cylinder

- Two serrated keys, for all key types, see chapter 'Keys with systems and clips'
- Cam
- Security card for ownership registration and ordering duplicate keys
- Installation and maintenance instructions

### Order example

PXP/MZ/2345/5/R/26,5/NI/M2345/SE/ ... cylinder options

### Cylinder options as follows:

#### Technical system

##### - Premier systems

pextra plus (PXP)

pextra (PX)

AP2000 (AP2)

AP2000 (SYST)

AP2pro (AP2pro)

##### - Legacy systems

ANS2000 (ANS2)

CNS2000 (CNS2)

HKS2000 (HKS2)

AP3000 (AP3)

#### Type cylinder

2345 (2345)

#### Number of pins

Five pins (5)

Six pins (6)

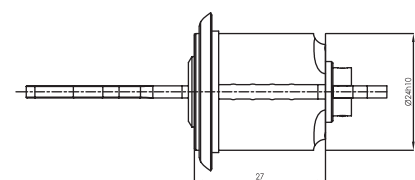
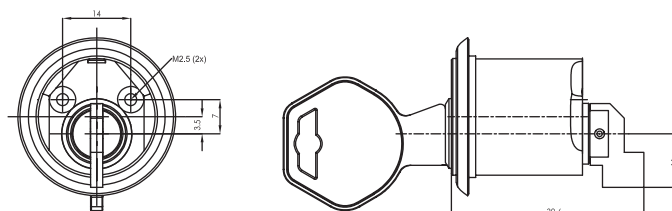
#### Locking direction

Right (R)

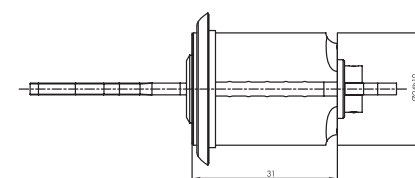
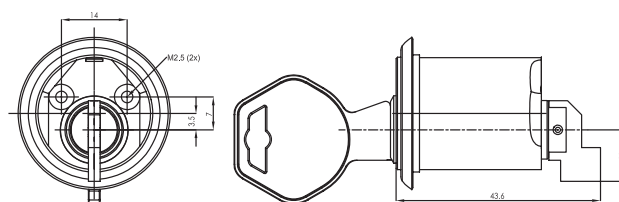
Left (L)



Cylinder for espagnolette lock series 2345



Cylinder with 5 pins for series 2345



Cylinder with 6 pins for series 2345

# Furniture Cylinders and Locks

G.MZ.2345 | Furniture Cylinder 1080 for 2345

**Length furniture cylinder**

26,5

31,5

**Surface cylinder**

Nickel-plated (NI)

Brass, dull (MS)

Brass, polished (MP)

**Cam**

Cam 2345 210.010.708 (M2345)

**Locking element**

Side element (SE)



# Furniture Cylinders and Locks

## G.MZ.1095 | Furniture Cylinder Lock, for Sliding Doors

### Application

Push lock for sliding doors in office furniture. Push to lock, unlock with key turn.

### Specification

- Housing made from solid natural brass, surface nickel-plated
- Serrated key made of nickel silver

### Included with the cylinder

- Two serrated keys, for all key types, see chapter 'Keys with systems and clips'
- Rosette
- Security card for ownership registration and ordering duplicate keys
- Installation and maintenance instructions

### Order example

PXP/MZ/1095\_1/D24/6/NI/SE/... cylinder options

### Cylinder options as follows:

Type cylinder	Number of pins	Type diameter
1095	Five pins (5)	22 (D22)
1095.1	Five pins (5) Six pins (6) Seven pins (7)	Diameter 24 mm (D24)
1095.1.Glass	Five pins (5) Six pins (6) Seven pins (7)	Diameter 24 mm (D24)

### Technical system

#### - Premier systems

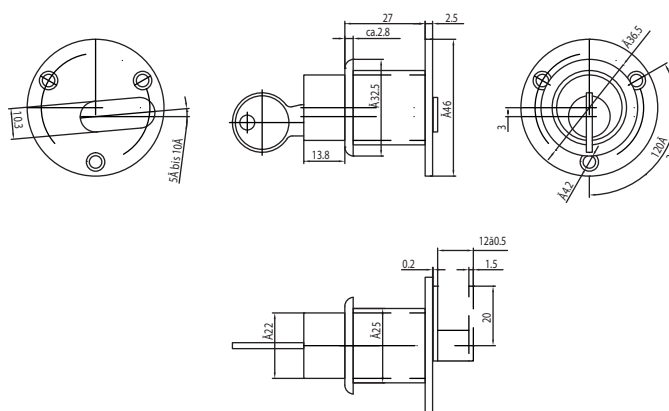
pextra plus (PXP)  
pextra (PX)  
AP2000 (AP2)  
AP2000 (SYST)  
AP2pro (AP2pro)

#### - Legacy systems

ANS2000 (ANS2)  
CNS2000 (CNS2)  
HKS2000 (HKS2)  
AP3000 (AP3)  
AP4000 (AP4)

### Type cylinder

1095 (1095)  
1095.1 (1095\_1)  
1095.1.Glass (1095\_1\_GLAS)



# Furniture Cylinders and Locks

G.MZ.1095 | Furniture Cylinder Lock, for Sliding Doors

**Type diameter**

22 (D22)

Diameter 24 mm (D24)

**Surface cylinder**

Nickel-plated (NI)

**Locking element**

Side element (SE)

**Locking function A**

Self-changable cylinder (SUZ)

# Furniture Cylinders and Locks

## G.MZ.1335 | Furniture Cylinder Lock 1335

### Application

Locks all drawers on one side of an office desk from the front.

### Specification

- Housing made from solid natural brass, surface nickel-plated
- Serrated key made of nickel silver
- Cylinder diameter 24 mm

### Included with the cylinder

- Two serrated keys, for all key types, see chapter 'Keys with systems and clips'
- Rosette
- Security card for ownership registration and ordering duplicate keys
- Installation and maintenance instructions

### Order example

PXP/MZ/1335/D24/6/NI/SE/... cylinder options

### Cylinder options as follows:

#### Technical system

##### - Premier systems

pextra plus (PXP)  
pextra (PX)  
AP2000 (AP2)  
AP2000 (SYST)  
AP2pro (AP2pro)

##### - Legacy systems

ANS2000 (ANS2)  
CNS2000 (CNS2)  
HKS2000 (HKS2)  
AP3000 (AP3)  
AP4000 (AP4)

### Type cylinder

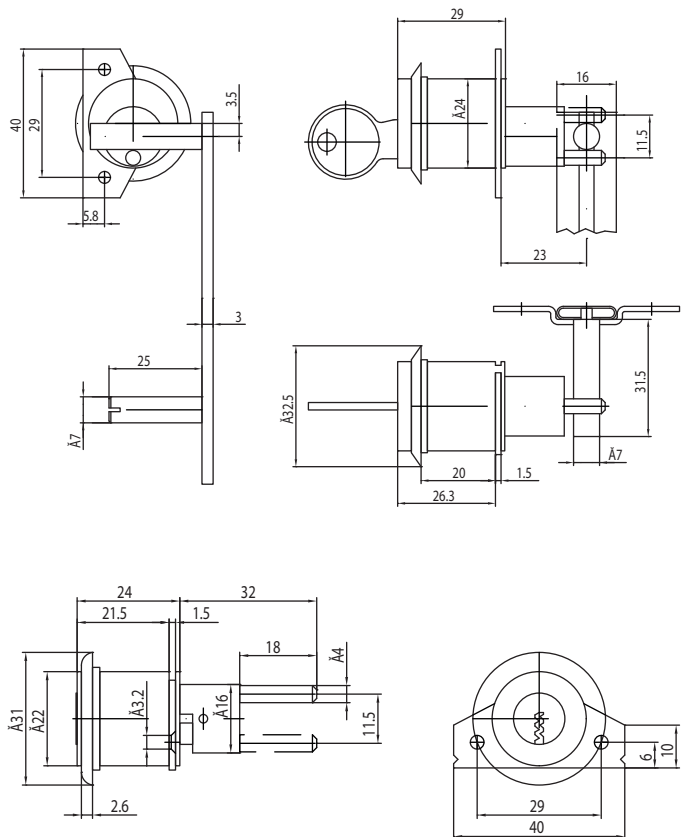
1335 (1335)

### Type diameter

Diameter 24 mm (D24)

### Number of pins

Five pins (5)  
Six pins (6)



# Furniture Cylinders and Locks

G.MZ.1335 | Furniture Cylinder Lock 1335

**Surface cylinder**

Nickel-plated (NI)

Brass, dull (MS)

Brass, polished (MP)

**Locking element**

Side element (SE)

**Locking function A**

Self-changable cylinder (SUZ)

# Furniture Cylinders and Locks

## G.MZ.1336 | Furniture Cylinder Lock 1336

### Application

Locks all drawers on one side of an office desk from the front.

### Specification

- Housing made from solid natural brass, surface nickel-plated
- Serrated key made of nickel silver
- Cylinder diameter 24 mm

### Included with the cylinder

- Two serrated keys, for all key types, see chapter 'Keys with systems and clips'
- Rosette
- Security card for ownership registration and ordering duplicate keys
- Installation and maintenance instructions

### Order example

PXP/MZ/1336/D24/6/NI/SE/... cylinder options

### Cylinder options as follows:

#### Technical system

##### - Premier systems

pextra plus (PXP)  
pextra (PX)  
AP2000 (AP2)  
AP2000 (SYST)  
AP2pro (AP2pro)

##### - Legacy systems

ANS2000 (ANS2)  
CNS2000 (CNS2)  
HKS2000 (HKS2)  
AP3000 (AP3)  
AP4000 (AP4)

#### Type cylinder

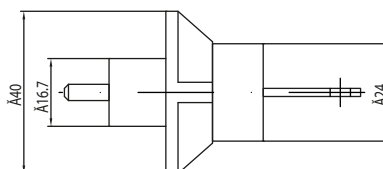
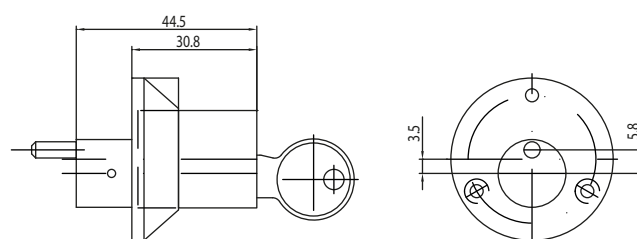
1336 (1336)

#### Type diameter

Diameter 24 mm (D24)

#### Number of pins

Five pins (5)  
Six pins (6)



# Furniture Cylinders and Locks

G.MZ.1336 | Furniture Cylinder Lock 1336

**Surface cylinder**

Nickel-plated (NI)

Brass, dull (MS)

**Locking element**

Side element (SE)

**Locking function A**

Self-changable cylinder (SUZ)

# Furniture Cylinders and Locks

## G.MZ.ASS | Furniture Cylinder ASS

### Application

For furniture locks of the ASS series. The cam operates the locking mechanism of the furniture lock.

### Specification

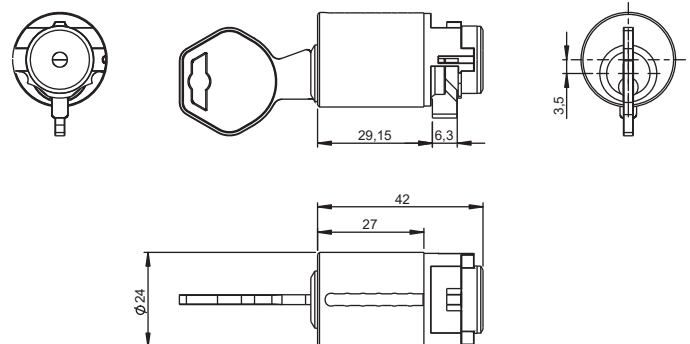
- Housing made from solid natural brass, surface nickel-plated
- Serrated key made of nickel silver
- Cylinder diameter 24 mm

### Included with the cylinder

- Two serrated keys, for all key types, see chapter 'Keys with systems and clips'
- Security card for ownership registration and ordering duplicate keys
- Installation and maintenance instructions

### Order example

SYST/MZ/ASS/5/26,5/NI/SE/... cylinder options



### Cylinder options as follows:

#### Technical system

##### - Premier systems

pextra plus (PXP)  
pextra (PX)  
AP2000 (AP2)  
AP2000 (SYST)  
AP2pro (AP2pro)

##### - Legacy systems

ANS2000 (ANS2)  
CNS2000 (CNS2)  
HKS2000 (HKS2)  
AP3000 (AP3)

### Type cylinder

ASS MZ (ASS)

### Number of pins

Five pins (5)  
Six pins (6)

### Length furniture cylinder

26,5  
31,5  
36,5  
41,5  
46,5  
51,5

# Furniture Cylinders and Locks

G.MZ.ASS | Furniture Cylinder ASS

**Surface cylinder**

Nickel-plated (NI)

Brass, dull (MS)

Chrome, satin (CRM)

Brass, polished (MP)

**Locking element**

Side element (SE)



# Furniture Cylinders and Locks

## G.MZ.440\_Z | Furniture Olive 440.Z, with Single Euro Profile Cylinder

### Application

For furniture locks of the ASS series

### Specification

- Housing made from solid natural brass, surface nickel-plated
- Serrated key made of nickel silver
- Single cylinder in Euro profile
- Spindle 7 mm

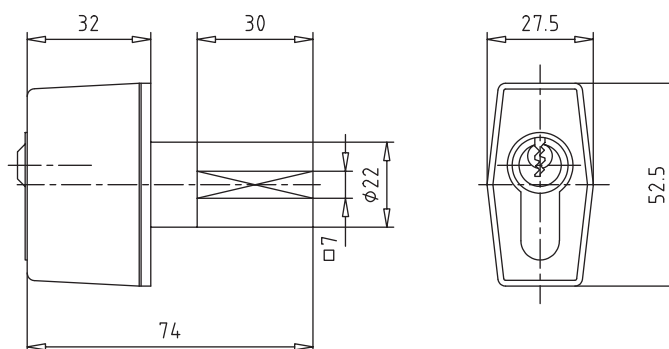


### Included with the cylinder

- Two serrated keys, for all key types, see chapter 'Keys with systems and clips'
- Security card for ownership registration and ordering duplicate keys
- Installation and maintenance instructions

### Order example

SYST/MZ/440\_Z/5/NI/SE/... cylinder options



### Cylinder options as follows:

#### Technical system

##### - Premier systems

pextra plus (PXP)  
pextra (PX)  
AP2000 (AP2)  
AP2000 (SYST)  
AP2pro (AP2pro)

##### - Legacy systems

ANS2000 (ANS2)  
CNS2000 (CNS2)  
HKS2000 (HKS2)  
AP3000 (AP3)

#### Type cylinder

440.Z. (440\_Z)

#### Number of pins

Five pins (5)  
Six pins (6)

#### Surface cylinder

Nickel-plated (NI)

#### Locking element

Side element (SE)

# Furniture Cylinders and Locks

G.MZ.440\_Z | Furniture Olive 440.Z, with Single Euro Profile Cylinder

**Locking function A**

Self-changable cylinder (SUZ)

# Furniture Cylinders and Locks

G.MZ.3561\_24102 | Furniture Olive 3561

## Application

Can be used for ASS latch locks and ASS espagnolette locks with locking function

## Specification

- Housing made from solid natural brass, surface nickel-plated
- Serrated key made of nickel silver
- Spindle 7 mm

## Included with the cylinder

- Two serrated keys, for all key types, see chapter 'Keys with systems and clips'
- Security card for ownership registration and ordering duplicate keys
- Installation and maintenance instructions

## Order example

SYST/MZ/3561\_24102/5/NI/SE/... cylinder options

## Cylinder options as follows:

### Technical system

#### - Premier systems

pextra plus (PXP)  
pextra (PX)  
AP2000 (AP2)  
AP2000 (SYST)  
AP2pro (AP2pro)

#### - Legacy systems

ANS2000 (ANS2)  
CNS2000 (CNS2)  
HKS2000 (HKS2)  
AP3000 (AP3)

### Type cylinder

3561.24102 (3561\_24102)

### Number of pins

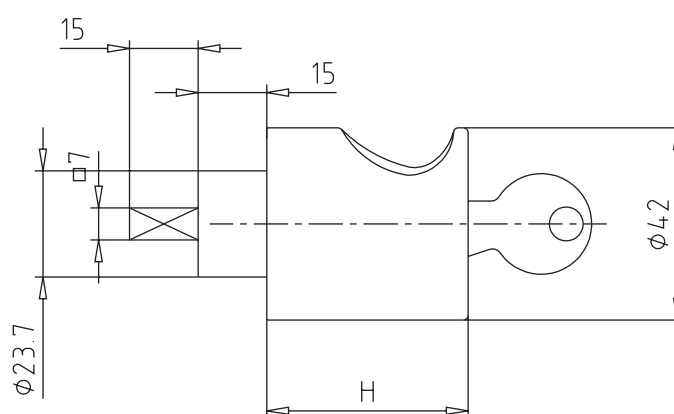
Five pins (5)  
Six pins (6)

### Surface cylinder

Nickel-plated (NI)

### Locking element

Side element (SE)



# Furniture Cylinders and Locks

## G.MZ\_KP.1050/1070 | Furniture Cylinder 1050 or 1070, Small Profile

### Application

For furniture lock series 1345, 1350 and 2345. The cam operates the locking mechanism of the furniture lock.

### Specification

- Housing made from solid natural brass, surface nickel-plated
- Serrated key made of nickel silver
- With cam
- Small profile (KP)

### Included with the cylinder

- Two serrated keys, for all key types, see chapter 'Keys with systems and clips'
- Security card for ownership registration and ordering duplicate keys
- Installation and maintenance instructions

### Order example

SYST/MZ\_KP/1050/D18/4/17/NI/M1345 ... Cylinder options



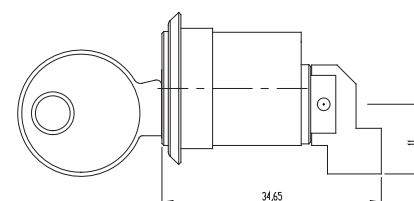
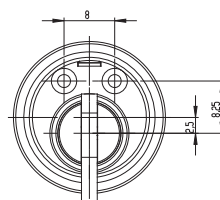
Type 1050 KP



Type 1070 KP

### Cylinder options as follows:

Type diameter	Installed length	Type cylinder
18	17, 22, 23, 27, 32, 37 and 42 mm	1050
22 (D22)	22, 23, 27, 32, 37, 42 and 47 mm	1070



### Technical system

AP2000 (SYST)

### Type cylinder

1050  
1070

### Type diameter

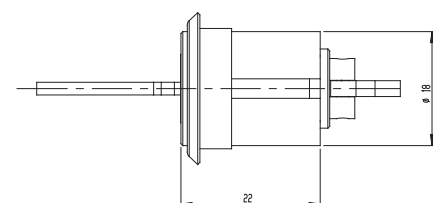
18  
22 (D22)

### Number of pins

4  
Five pins (5)

### Locking direction

Without closing direction



Type 1050

# Furniture Cylinders and Locks

G.MZ\_KP.1050/1070 | Furniture Cylinder 1050 or 1070, Small Profile

## Surface cylinder

Nickel-plated (NI)

Brass, dull (MS)

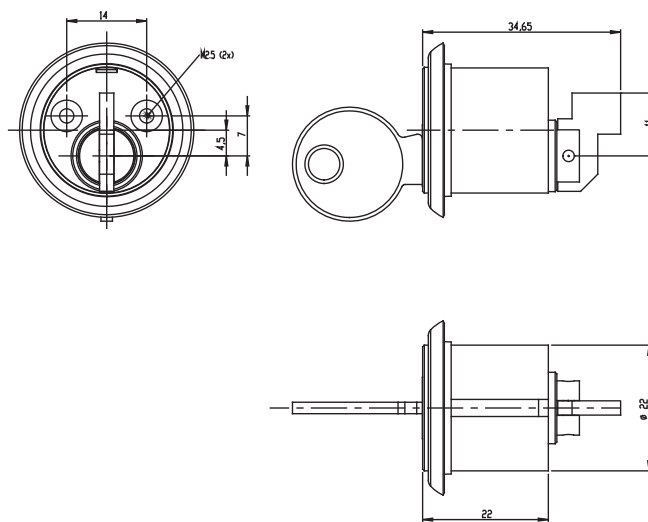
Brass, polished (MP)

## Cam

Cam 1345 210.000.705 (M1345)

Cam 2345 210.010.708 (M2345)

Cam 1350 with two pins (M1350)



Type 1070

# Furniture Cylinders and Locks

## G.MZ\_KP.1350 | Furniture Cylinder 1050/1070 for 1350, Small Profile

### Application

For furniture lock series 1350. The cam 1350 operates the locking mechanism of the furniture lock.  
The closing direction can be selected.

### Specification

- Housing made from solid natural brass, surface nickel-plated
- Serrated key made of nickel silver
- With cam
- Small profile (KP)

### Included with the cylinder

- Two serrated keys, for all key types, see chapter 'Keys with systems and clips'
- Security card for ownership registration and ordering duplicate keys
- Installation and maintenance instructions

### Order example

SYST/MZ\_KP/1350/D18/5/R/27/NI/M1350 ... cylinder options



### Cylinder options as follows:

#### Technical system

AP2000 (SYST)

#### Type cylinder

1350 (1350)

#### Type diameter

18

22 (D22)

#### Number of pins

4

Five pins (5)

#### Locking direction

Right (R)

Left (L)

#### Length furniture cylinder

23,0

27,0

32,0

37,0

42,0

# Furniture Cylinders and Locks

G.MZ\_KP.1350 | Furniture Cylinder 1050/1070 for 1350, Small Profile

47,0

52,0

57,0

62,0

67,0

## **Surface cylinder**

Nickel-plated (NI)

Brass, dull (MS)

Brass, polished (MP)

## **Cam**

Cam 1350 with two pins (M1350)

# Furniture Cylinders and Locks

## G.MZ\_KP.2345 | Furniture Cylinder 1050/1070 for 2345, Small Profile

### Application

For furniture lock series 2345. The cam 2345 operates the locking mechanism of the furniture lock.  
The closing direction can be selected.

### Specification

- Housing made of brass, nickel-plated
- Serrated key made of nickel silver
- With cam
- Small profile (KP)

### Included with the cylinder

- Two keys with corner bow
- Security card for ownership registration and ordering duplicate keys
- Installation and maintenance instructions

### Order example

SYST/MZ\_KP/2345/D18/5/R/27/NI/M2345 ... cylinder options

### Cylinder options as follows:

#### Technical system

AP2000 (SYST)

#### Type cylinder

2345 (2345)

#### Type diameter

18  
22 (D22)

#### Number of pins

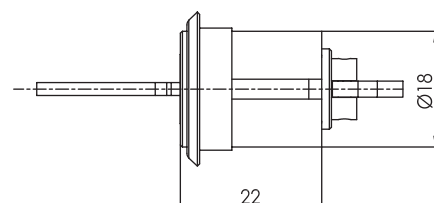
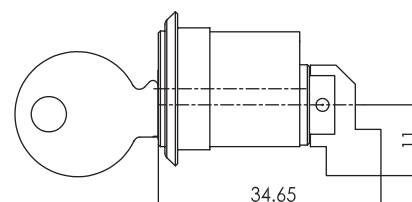
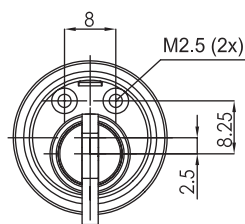
4  
Five pins (5)

#### Locking direction

Right (R)  
Left (L)

#### Length furniture cylinder

22,0  
27,0  
32,0  
37,0  
42,0  
47,0





# Furniture Cylinders and Locks

G.MZ\_KP.2345 | Furniture Cylinder 1050/1070 for 2345, Small Profile

**Surface cylinder**

Nickel-plated (NI)

Brass, dull (MS)

Brass, polished (MP)

**Cam**

Cam 2345 210.010.708 (M2345)

# Furniture Cylinders and Locks

## G.MZ\_KP.1095 | Furniture Cylinder Lock, for Sliding Doors, Small Profile

### Application

Push lock for sliding doors in office furniture. Push to lock, unlock with key turn.

### Specification

- Housing made from solid natural brass, surface nickel-plated
- Serrated key made of nickel silver
- Small profile (KP)

### Included with the cylinder

- Two serrated keys, for all key types, see chapter 'Keys with systems and clips'
- Rosette
- Security card for ownership registration and ordering duplicate keys
- Installation and maintenance instructions

### Order example

SYST/MZ\_KP/1095/D18/4/NI ... cylinder options

### Cylinder options as follows:

#### Technical system

AP2000 (SYST)

#### Type cylinder

1095 (1095)

#### Type diameter

18

#### Number of pins

4

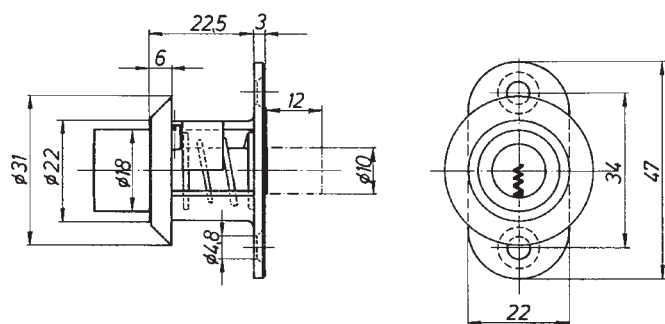
#### Locking direction

Without closing direction

#### Surface cylinder

Nickel-plated (NI)

Brass, dull (MS)



# Furniture Cylinders and Locks

## G.MZ\_KP.1335 | Furniture Cylinder Lock, for Desks, Small Profile

### Application

Locks all drawers on one side of an office desk from the front.

### Specification

- Housing made from solid natural brass, surface nickel-plated
- Serrated key made of nickel silver
- Small profile (KP)

### Included with the cylinder

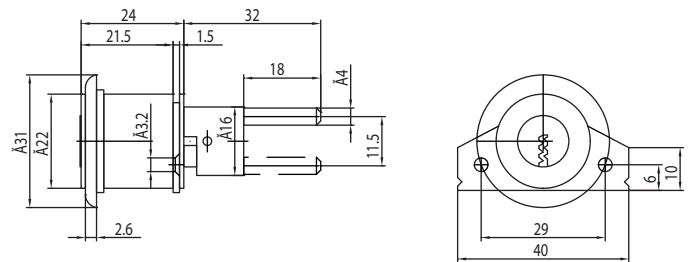
- Two serrated keys, for all key types, see chapter 'Keys with systems and clips'
- Rosette
- Security card for ownership registration and ordering duplicate keys
- Installation and maintenance instructions

### Installed length

24 mm

### Order example

SYST/MZ\_KP/1335/D22/4/NI/... cylinder options



### Cylinder options as follows:

#### Technical system

AP2000 (SYST)

#### Type cylinder

1335 (1335)

#### Type diameter

22 (D22)

#### Number of pins

4

#### Locking direction

Without closing direction

#### Surface cylinder

Nickel-plated (NI)

# Furniture Cylinders and Locks

## G.MZ\_KP.1336 | Furniture Cylinder Lock, for Desks, Small Profile

### Application

Locks all drawers on one side of an office desk from the front.

### Specification

- Housing made from solid natural brass, surface nickel-plated
- Serrated key made of nickel silver
- Small profile (KP)

### Included with the cylinder

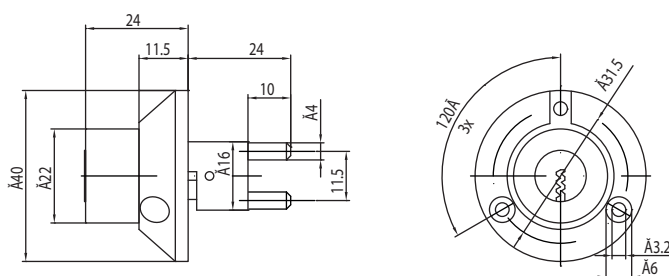
- Two serrated keys, for all key types, see chapter 'Keys with systems and clips'
- Rosette
- Security card for ownership registration and ordering duplicate keys
- Installation and maintenance instructions

### Installed length

24 mm

### Order example

SYST/MZ\_KP/1336/D22/4/NI/... cylinder options



### Cylinder options as follows:

#### Technical system

AP2000 (SYST)

#### Type cylinder

1336 (1336)

#### Type diameter

22 (D22)

#### Number of pins

4

Five pins (5)

#### Locking direction

Without closing direction

#### Surface cylinder

Nickel-plated (NI)

# Furniture Cylinders and Locks

## G.MZ\_KP.ASS | Furniture Cylinder ASS, Small Profile

### Application

For furniture locks series ASS. The cam operates the locking mechanism of the furniture lock.

### Specification

- Housing made from solid natural brass, surface nickel-plated
- Serrated key made of nickel silver
- Cylinder diameter 22 mm
- Small profile (KP)

### Included with the cylinder

- Two serrated keys, for all key types, see chapter 'Keys with systems and clips'
- Security card for ownership registration and ordering duplicate keys
- Installation and maintenance instructions

### Order example

SYST/MZ\_KP/ASS/D22/5/27/NI/ ... cylinder options

### Cylinder options as follows:

#### Technical system

AP2000 (SYST)

#### Type cylinder

ASS MZ (ASS)

#### Type diameter

22 (D22)

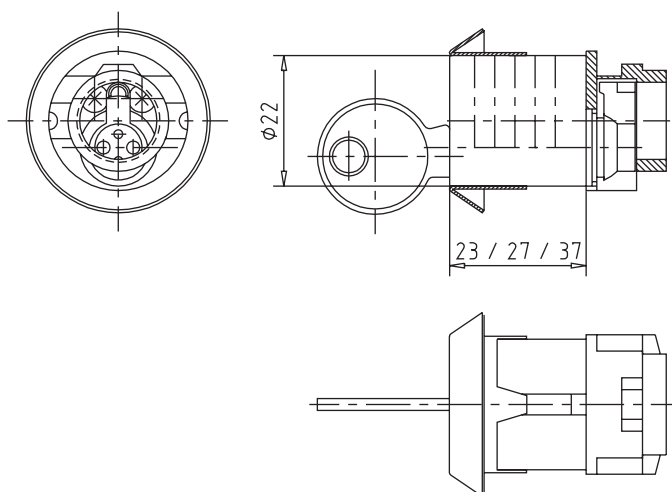
#### Number of pins

4

Five pins (5)

#### Locking direction

Without closing direction



# Furniture Cylinders and Locks

G.MZ\_KP.ASS | Furniture Cylinder ASS, Small Profile

## **Length furniture cylinder**

23,0

27,0

32,0

37,0

42,0

47,0

52,0

57,0

62,0

67,0

## **Surface cylinder**

Nickel-plated (NI)

Brass, dull (MS)

Brass, polished (MP)

# Furniture Cylinders and Locks

G.MZ\_KP.3541\_24102 | Furniture Olive 3541, Small Profile

## Application

Can be used for ASS latch locks and ASS espagnolette locks with locking function

## Specification

- Housing made from solid natural brass, surface nickel-plated
- Serrated key made of nickel silver
- Spindle 7 mm

## Included with the cylinder

- Two serrated keys, for all key types, see chapter 'Keys with systems and clips'
- Security card for ownership registration and ordering duplicate keys
- Installation and maintenance instructions

## Order example

SYST/MZ\_KP/3541\_24102/4/NI/... cylinder options

## Cylinder options as follows:

### Technical system

AP2000 (SYST)

### Type cylinder

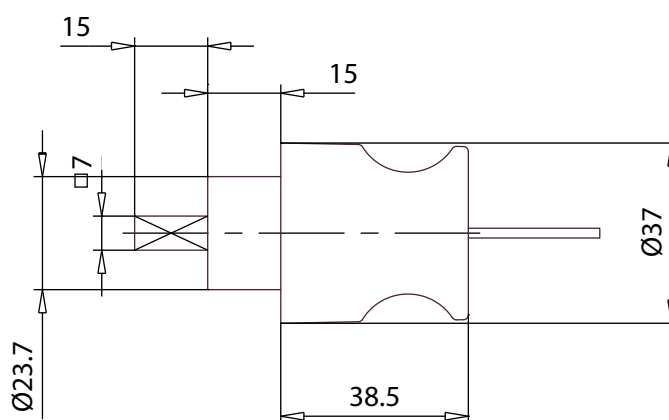
3541.24102 (3541\_24102)

### Number of pins

4

### Surface cylinder

Nickel-plated (NI)



# Furniture Cylinders and Locks

## ASS/3515/24002 | Olives, without Locking Function

### Application

Can be used for ASS latch locks and ASS espagnolette locks. Olives are rigid and have no locking function.

### Specification

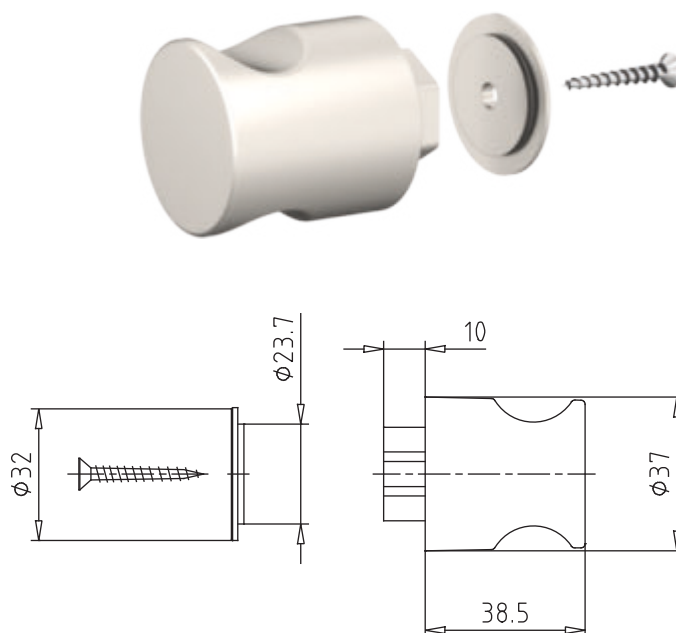
- Diameter 37 mm with two grip recesses
- Olive made from nickel-plated metal
- Centring insert dia. 24 mm
- Suitable for material thicknesses from 16 to 28 mm

### Included with the cylinder

- Olive (with installation screw for ASS.3515)

### Order example

ASS/3515/24002





# Furniture Cylinders and Locks

ASS/35xx/24002 | Olive, without Locking Function

## Application

Can be used for ASS latch locks and ASS espagnolette locks. Olives can be turned but have keying.

## Specification

- Olive made from nickel-plated metal
- Centring insert dia. 24 mm
- Suitable for material thicknesses from 16 to 28 mm
- Bore dia. 24 mm

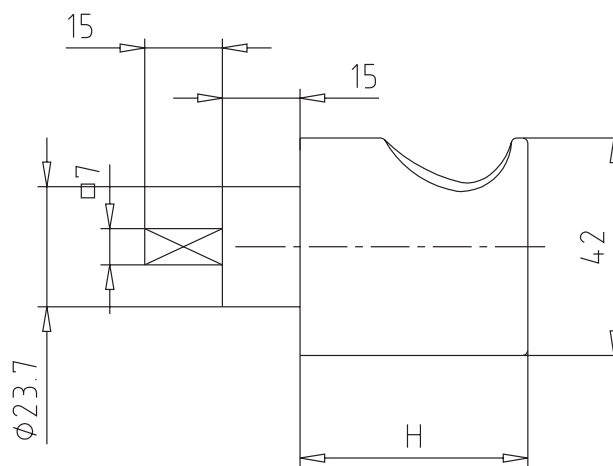
## Installed length

38.5 mm

## Order example

ASS/3513/24002 – diameter 36 mm with two recesses

ASS/3567/24002 – diameter 42 mm with one recess looking downward



Type ASS.3567.24002

# Furniture Cylinders and Locks

## MES/545/NI/EU | Espagnolette lock 545

### Application

For closet doors, locks with deadlock bolt and drive rods

### Specification

- Lock case made of nickel-plated sheet metal
- Backset 25 mm
- Left and right side convertible
- Installation with four screws (not included) from the inside
- Euro keying
- Dimensions: 60 × 44 × 15 mm

### Included with the cylinder

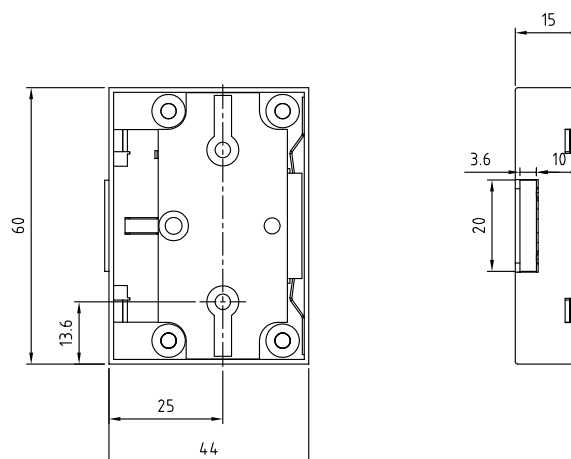
- Installation and maintenance instructions

### Order example

MES/545/NI/EU

### Accessories

- MSL/EU/X/NI – key nickel-plated
- MSL/EU/X/BM – key medium brown
- MSL/EU/X/VM – key brass coloured
- MSL/EU/X/S – key black



# Furniture Cylinders and Locks

## MAS/470/EU | Furniture lock 470

### Application

General use on all types of furniture, easy to mount in all directions with four screws (not included in delivery)

### Specification

- Lock case made of nickel-plated sheet metal
- Euro keying
- Dimensions: 65 x W x 10 mm

### Included with the cylinder

- Installation and maintenance instructions

### Order example

- MAS/470/EU/20/NI – backset 25 mm, width 40 mm
- MAS/470/EU/25/NI – backset 25 mm, width 45 mm
- MAS/470/EU/30/NI – backset 30 mm, width 50 mm
- MAS/470/EU/35/NI – backset 35 mm, width 35 mm
- MAS/470/EU/40/NI – backset 40 mm, width 60 mm

### Accessories

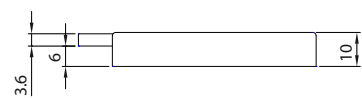
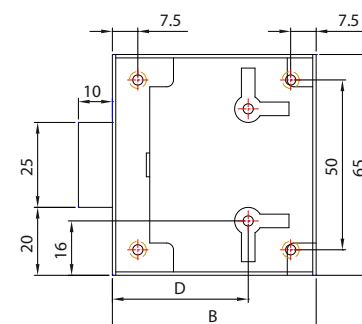
- MSL/EU/X/NI – key nickel-plated
- MSL/EU/X/BM – key medium brown
- MSL/EU/X/VM – key brass coloured
- MSL/EU/X/S – key black

### Technical system

No system (K00)

### Backset (mm)

- 20
- 25
- 30
- 35
- 40



# Furniture Cylinders and Locks

## FENSTERGRIFF.3495 | Window Handle 3495, for Euro Profile Single Cylinder

### Application

Universal use for windows and patio/balcony doors. The handle is locked by pushing the cylinder into the handle. The handle is unlocked by turning the key.

### Specification

- Aluminium anodised
- Arranged for a standard single cylinder 30 mm (not included, see chapter 'Mortise lock cylinders')
- Cam setting 0°
- Can be integrated into master key systems
- Spindle 7 mm square

### Included with the cylinder

- One cylinder fastening screw M5

### Installed length

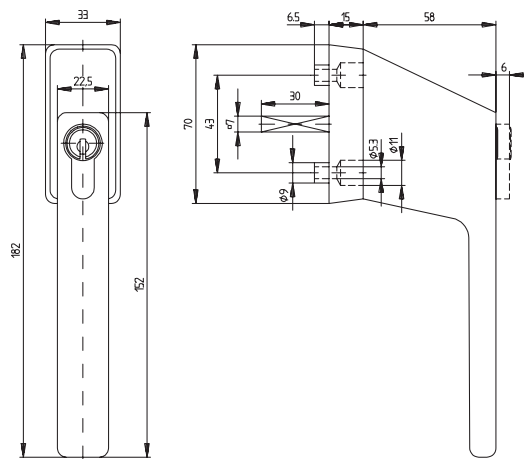
182 mm

### Order example

FENSTERGRIFF/3495 - F2 - aluminium, anodised

FENSTERGRIFF/3495 - F3 - aluminium brass, anodised

FENSTERGRIFF/3495 - F4 - aluminium bronze, anodised





# Furniture Cylinders and Locks

## Accessories for Serrated Key Office Furniture Locks, Type MZU

Bestellcode	Beschreibung	Bild	Maßzeichnung
G/ROSETTE/ MZ/24/32/NI 2011281840	Rosette, round for furniture cylinders ID 24 mm/OD 32 mm		
G/ROSETTE/ MZ/24/32/MS 2011281883	Rosette, round for furniture cylinders ID 24 mm/OD 32 mm		
G/ROSETTE/ MZ/24/32/MP 2011281913	Rosette, round for furniture cylinders ID 24 mm/OD 32 mm		

# Outside Rim Cylinders

## G.AZ.D24 | Outside Rim Cylinder, Diameter 24 mm

### Application

For surface-mounted locks of the 1200 series.  
The tailpiece operates the bolt from the outside.

### Specification

- Housing made from solid natural brass, surface nickel-plated
- For door thicknesses 28 to 83 mm
- Tailpiece 65 mm long, can be shortened on-site
- Serrated key made of nickel silver or nickel-plated

### Included with the cylinder

- Three serrated keys, for all key types, see chapter 'Keys with systems and clips'
- Two fastening screws M5 x 40 mm
- Rosette round
- Security card for ownership registration and ordering duplicate keys
- Installation and maintenance instructions

### Order example

PXP/AZ/D24/5/MP/SE/... cylinder options

### Cylinder options as follows:

#### Technical system

##### - Premier systems

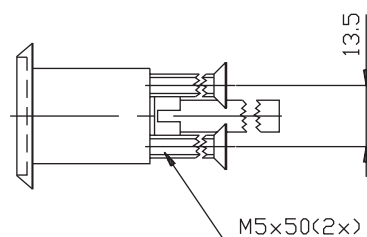
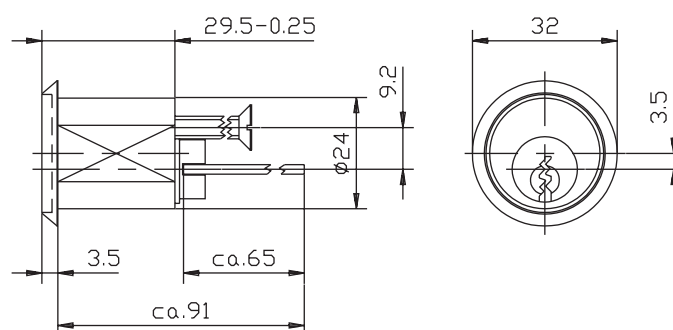
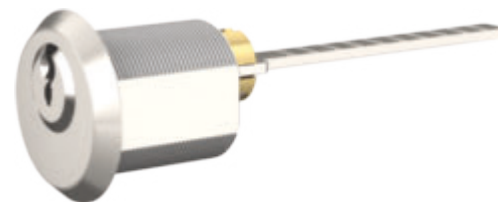
pextra plus (PXP)  
pextra (PX)  
pextra3 (PX3)  
AP2000 (AP2)  
AP2000 (SYST)  
ESP (ESP)  
AP2pro (AP2pro)  
APN (APN)  
Profile 1 (P001)

##### - Legacy systems

ANS2000 (ANS2)  
ANS3000 (ANS3)  
ANS4000 (ANS4)  
CNS2000 (CNS2)  
HKS2000 (HKS2)  
HKS4000 (HKS4)  
AP3000 (AP3)  
AP4000 (AP4)

### Type diameter

Diameter 24 mm (D24)



# Outside Rim Cylinders

G.AZ.D24 | Outside Rim Cylinder, Diameter 24 mm

**System type**

Standard  
Not assembled (UNMONT)  
Pre-assembled (VOM)

**Cylinder fastening screw**

Screw M5 × 40 mm (BS\_M5x40)  
Screw M5 × 50 mm (BS\_M5x50)  
Screw M5 × 70 mm (BS\_M5x70)

**Number of pins**

Five pins (5)  
Six pins (6)

**Surface cylinder**

Nickel-plated (NI)  
Brass, dull (MS)  
Chrome-plated (CR)  
Chrome, satin (CRM)  
Chrome, polished (CRP)  
Chrome, scotch (CRS)  
Brass, polished (MP)  
Brass, brushed (MB)  
Bronzed light (BH)  
Bronzed medium (BM)  
Bronzed (BD)

**Certificate/Standard side A**

SAS (SAS)

**Locking element**

Side element (SE)

**Blocking pin**

Active element for PX (PXA)  
Active element for PXP (PXPA)

**Economy style**

No, four security pins and S-pinning  
Economy, no security pins (E)

**Locking function A**

Self-changable cylinder one-time (SUZ1)

**Seawater protection**

Seawater resistant (SWF)

**Wear-resistant barrel A**

Wear-resistant barrel side A (VK-A)

**Rosette**

Without rosette (O\_RO)  
Rosette round AZ (RRAZ)



# Outside Rim Cylinders

## G.AZ.D29 | Outside Rim Cylinder, Diameter 29 mm

### Application

For surface-mounted door locks 1210 series.  
The tailpiece operates the bolt from the outside.

### Specification

- Housing made from solid natural brass, surface nickel-plated
- For door thicknesses 28 to 83 mm
- Tailpiece 65 mm long, can be shortened on-site
- Serrated key made of nickel silver or nickel-plated

### Included with the cylinder

- Three serrated keys, for all key types, see chapter 'Keys with systems and clips'
- Two fastening screws M5 x 40 mm
- Rosette round
- Security card for ownership registration and ordering duplicate keys
- Installation and maintenance instructions

### Order example

PXP/AZ/D29/5/MP/SE/... cylinder options

### Cylinder options as follows:

#### Technical system

##### - Premier systems

pextra plus (PXP)  
pextra (PX)  
pextra3 (PX3)  
AP2000 (AP2)  
AP2000 (SYST)  
ESP (ESP)  
AP2pro (AP2pro)  
APN (APN)  
Profile 1 (P001)

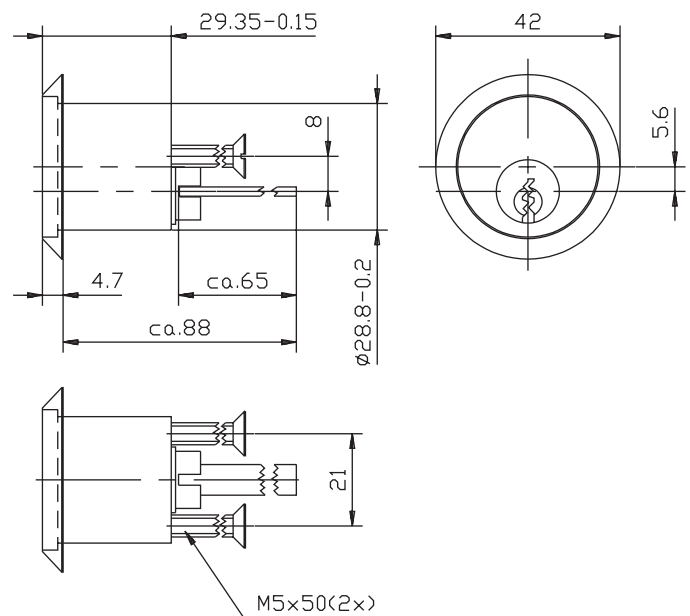
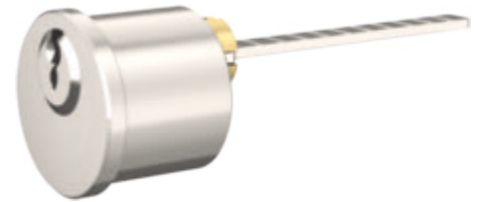
##### - Legacy systems

ANS2000 (ANS2)  
ANS3000 (ANS3)  
ANS4000 (ANS4)  
CNS2000 (CNS2)  
HKS2000 (HKS2)  
HKS4000 (HKS4)  
AP3000 (AP3)  
AP4000 (AP4)

#### Type diameter

Diameter 24 mm (D24)

Diameter 29 mm (D29)



# Outside Rim Cylinders

G.AZ.D29 | Outside Rim Cylinder, Diameter 29 mm

**Number of pins**

Five pins (5)  
Six pins (6)  
Seven pins (7)

**Cylinder fastening screw**

Screw M5 x 40 mm (BS\_M5x40)  
Screw M5 x 50 mm (BS\_M5x50)  
Screw M5 x 70 mm (BS\_M5x70)

**Surface cylinder**

Nickel-plated (NI)  
Brass, dull (MS)  
Chrome-plated (CR)  
Chrome, satin (CRM)  
Chrome, polished (CRP)  
Chrome, scotch (CRS)  
Brass, polished (MP)  
Brass, brushed (MB)  
Bronzed light (BH)  
Bronzed medium (BM)  
Bronzed (BD)

**Threaded hole**

Drilling standard  
Version UK (midside)

**Certificate/Standard side A**

SAS (SAS)

**Locking element**

Side element (SE)

**Blocking pin**

Active element for PX (PXA)  
Active element for PXP (PXPA)

**Economy style**

No, four security pins and S-pinning  
Economy, no security pins (E)

**Locking function A**

Self-changable cylinder (SUZ)  
Self-changable cylinder one-time (SUZ1)

**Seawater protection**

Seawater resistant (SWF)

**Wear-resistant barrel A**

Wear-resistant barrel side A (VK-A)

**Rosette**

Without rosette (O\_RO)  
Rosette round AZ (RRAZ)  
Rosette square AZ (ERAZ)

# Outside Rim Cylinders

## Accessories for Outside Rim Cylinders for Surface-Mounted Locks

Bestellcode	Beschreibung	Bild	Maßzeichnung
K/ROSETTE/1007/NI 2011728988	Rosette, drawing no. 1007-11 Suitable for outer cylinders of types 1007 and 89-4-007 <b>Material:</b> brass, available in all standard cylinder surface finishes Please specify surface finish at the end of the order code. Order example: ROSETTE.1007.NI = Rosette.1007. nickel-plated		
K/ROSETTE/1007/MS 2011728989	<b>Surface finish:</b> brass		
K/ROSETTE/1007/CR 2011728991	Chrome-plated		
K/ROSETTE/1007/MP 2011728990	Brass polished		
K/ROSETTE/1007/BD 2030005486	Dark brown		
ZUST.18.R.29.NI 2011059560	Diameter: 29 mm		
ZUST/18/R/29/MP 2011062545	Diameter: 29 mm		
ZUST/18/E/NI 2011008494	Nickel-plated		
ZUST/18/E/VM 2011044148	Brass		
ZUST/18/E/PAT 2011044415	Patinated		

# Outside Rim Cylinders

## G.AZ.AG012 | Outside Rim Cylinder AG012, Lekov

### Application

Outside cylinder is compatible with CISA surface-mounted locks.

The tailpiece operates the bolt from the outside.

### Specification

- Housing made from solid natural brass, surface nickel-plated
- Serrated key made of nickel silver

### Included with the cylinder

- Three serrated keys, for all key types, see chapter 'Keys with systems and clips'
- Security card for ownership registration and ordering duplicate keys
- Installation and maintenance instructions

### Order example

SYST/AZ/AG012/D33/5/NI/... cylinder options

### Cylinder options as follows:

#### Technical system

AP2000 (SYST)

#### Type cylinder

AG012 Lekov (AG012)

#### Type diameter

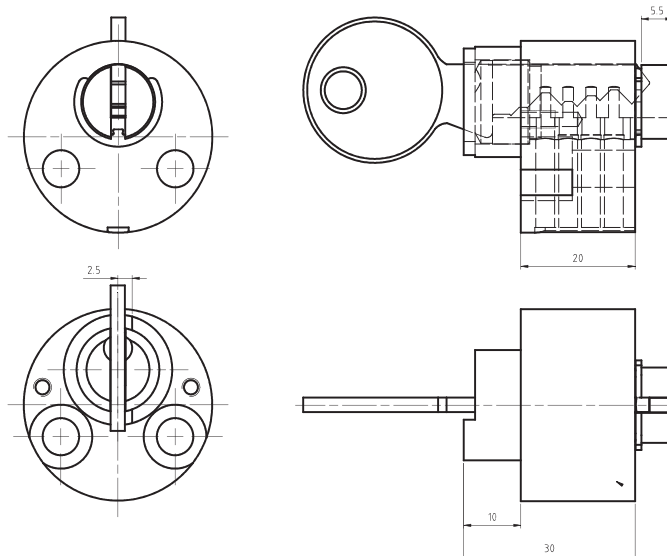
Diameter 33 mm (D33)

#### Number of pins

Five pins (5)

#### Surface cylinder

Nickel-plated (NI)



# Outside Rim Cylinders

## G.AZ.AG036 | Outside Rim Cylinder AG036, CISA

### Application

Outside rim cylinder for CISA ESPE surface-mounted locks (Cisa ZG111205)

The tailpiece operates the bolt from the outside.

### Specification

- Housing made from solid natural brass, surface nickel-plated
- Tailpiece 65 mm, can be shortened on-site
- Serrated key made of nickel silver or nickel-plated

### Included with the cylinder

- Three serrated keys, for all key types, see chapter 'Keys with systems and clips'
- Tailpiece
- Spacer sleeve
- Security card for ownership registration and ordering duplicate keys
- Installation and maintenance instructions

### Order example

PXP/AZ/AG036/D24/5/NI/SE/... cylinder options

### Cylinder options as follows:

#### Technical system

##### - Premier systems

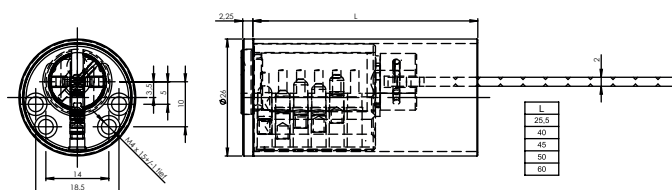
pextra plus (PXP)  
 pextra (PX)  
 pextra3 (PX3)  
 AP2000 (AP2)  
 AP2000 (SYST)  
 ESP (ESP)  
 AP2pro (AP2pro)  
 APN (APN)  
 Profile 1 (P001)

##### - Legacy systems

ANS2000 (ANS2)  
 ANS3000 (ANS3)  
 ANS4000 (ANS4)  
 CNS2000 (CNS2)  
 HKS2000 (HKS2)  
 HKS4000 (HKS4)  
 AP3000 (AP3)  
 AP4000 (AP4)

#### Type cylinder

AG036 CISA ZG111205 (AG036)



# Outside Rim Cylinders

G.AZ.AG036 | Outside Rim Cylinder AG036, CISA

**Type diameter**

Diameter 24 mm (D24)

**Number of pins**

Five pins (5)

Six pins (6)

**Surface cylinder**

Nickel-plated (NI)

Chrome, satin (CRM)

Chrome, polished (CRP)

Chrome, scotch (CRS)

Chrome-plated (CR)

Brass, dull (MS)

Brass, polished (MP)

Brass, brushed (MB)

Bronzed (BD)

Bronzed medium (BM)

Bronzed light (BH)

**Locking element**

Side element (SE)

**Blocking pin**

Active element for PX (PXA)

Active element for PXP (PXPA)

**Locking function A**

Self-changable cylinder one-time (SUZ1)

**Pin special**

Anti-bumping pin (SG)

**Sleeve**

Without sleeve

With sleeve 25.5 mm

With sleeve 40 mm

With sleeve 45 mm

With sleeve 50 mm

With sleeve 60 mm

# Outside Rim Cylinders

## G.AZ.AG047 | Outside Rim Cylinder AG047, Zeiss Ikon

### Application

Eccentric outside rim cylinder for Zeiss Ikon surface-mounted locks  
The tailpiece operates the bolt from the outside.

### Specification

- Housing made from solid natural brass, surface nickel-plated
- Serrated key made of nickel silver or nickel-plated
- Tailpiece 65 mm long, can be shortened on-site

### Included with the cylinder

- Three serrated keys, for all key types, see chapter 'Keys with systems and clips'
- Two fastening screws M5 x 50 mm
- Security card for ownership registration and ordering duplicate keys
- Installation and maintenance instructions

### Order example

PXP/AZ/AG047/D29/5/NI/SE/... cylinder options

### Options as follows:

#### Technical system

##### - Premier systems

pextra plus (PXP)  
pextra (PX)  
pextra3 (PX3)  
AP2000 (AP2)  
AP2000 (SYST)  
AP2pro (AP2pro)  
APN (APN)  
Profile 1 (P001)

##### - Legacy systems

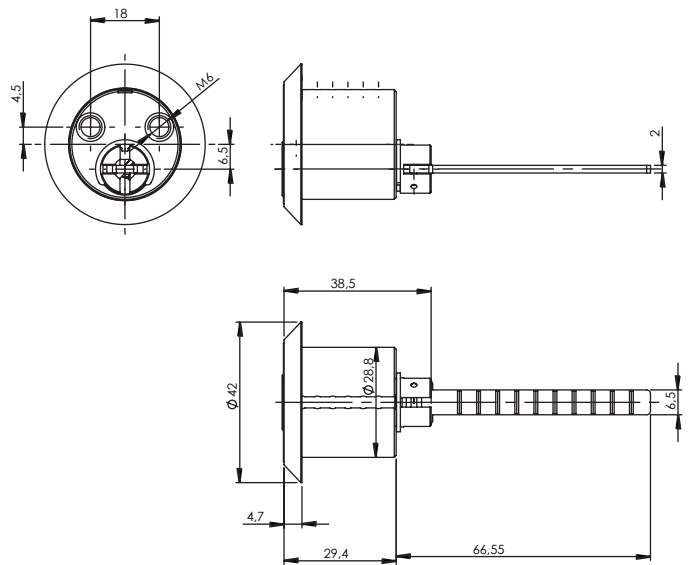
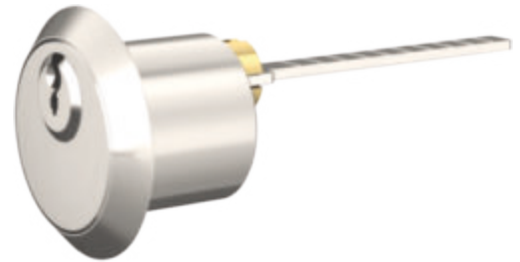
ANS2000 (ANS2)  
CNS2000 (CNS2)  
HKS2000 (HKS2)  
HKS4000 (HKS4)  
ANS3000 (ANS3)  
ANS4000 (ANS4)  
AP3000 (AP3)  
AP4000 (AP4)

### Type cylinder

AG047 Zeiss Ikon (AG047)

### Type diameter

Diameter 29 mm (D29)



# Outside Rim Cylinders

G.AZ.AG047 | Outside Rim Cylinder AG047, Zeiss Ikon

**Number of pins**

Five pins (5)

Six pins (6)

**Surface cylinder**

Nickel-plated (NI)

Chrome, satin (CRM)

Chrome, polished (CRP)

Chrome, scotch (CRS)

Chrome-plated (CR)

Brass, dull (MS)

Brass, polished (MP)

Brass, brushed (MB)

Bronzed (BD)

Bronzed medium (BM)

Bronzed light (BH)

**Locking element**

Side element (SE)

**Blocking pin**

Active element for PX (PXA)

Active element for PXP (PXPA)

**Pin special**

Anti-bumping pin (SG)

**Rosette**

Without rosette (O\_RO)

Round rosette (RRO)

Oval rosette (OVR)



# Outside Rim Cylinders

G.AZ.AG083 | Outside Rim Cylinder AG083, ABUS

## Application

For ABUS Pfaffenhain rim locks

The tailpiece operates the bolt from the outside.

## Specification

- Housing made from solid natural brass, surface nickel-plated
- With cam
- Serrated key made of nickel silver or nickel-plated



## Included with the cylinder

- Three serrated keys, for all key types, see chapter 'Keys with systems and clips'
- Security card for ownership registration and ordering duplicate keys
- Installation and maintenance instructions

## Order example

PXP/AZ/AG083/D23/5/NI/SE/... cylinder options

## Cylinder options as follows:

### Technical system

#### - Premier systems

pextra plus (PXP)  
 pextra (PX)  
 pextra3 (PX3)  
 AP2000 (AP2)  
 AP2000 (SYST)  
 ESP (ESP)  
 AP2pro (AP2pro)  
 APN (APN)  
 Profile 1 (P001)

#### - Legacy systems

ANS2000 (ANS2)  
 ANS3000 (ANS3)  
 ANS4000 (ANS4)  
 CNS2000 (CNS2)  
 HKS2000 (HKS2)  
 HKS4000 (HKS4)  
 AP3000 (AP3)  
 AP4000 (AP4)

### Type diameter

Diameter 23 mm (D23)

### Number of pins

Five pins (5)  
 Six pins (6)

# Outside Rim Cylinders

G.AZ.AG083 | Outside Rim Cylinder AG083, ABUS

## **Surface cylinder**

Nickel-plated (NI)  
Brass, dull (MS)  
Chrome-plated (CR)  
Chrome, satin (CRM)  
Chrome, polished (CRP)  
Chrome, scotch (CRS)  
Brass, polished (MP)  
Brass, brushed (MB)  
Bronzed light (BH)  
Bronzed medium (BM)  
Bronzed (BD)

## **Locking element**

Side element (SE)

## **Blocking pin**

Active element for PX (PXA)  
Active element for PXP (PXPA)

## **Pin special**

SFS special pin 1  
Anti-bumping pin (SG)

# Inside Rim Cylinders

## G.IZ | Inside Rim Cylinders, Diameter 32 mm

### Application

For surface-mounted door locks 1200 and 1210 series  
The inside rim cylinder replaces the knob on the lock case on the inside of the door.

### Specification

- Housing made from solid natural brass, surface nickel-plated
- Serrated key made of nickel silver
- Housing diameter 32 mm

### Included with the cylinder

- Three serrated keys, for all key types, see chapter 'Keys with systems and clips'
- Security card for ownership registration and ordering duplicate keys
- Installation and maintenance instructions

### Order example

PXP/IZ/5/NI/SE/... cylinder options

### Cylinder options as follows:

#### Technical system

##### - Premier systems

pextra plus (PXP)  
pextra (PX)  
AP2000 (AP2)  
AP2000 (SYST)

##### - Legacy systems

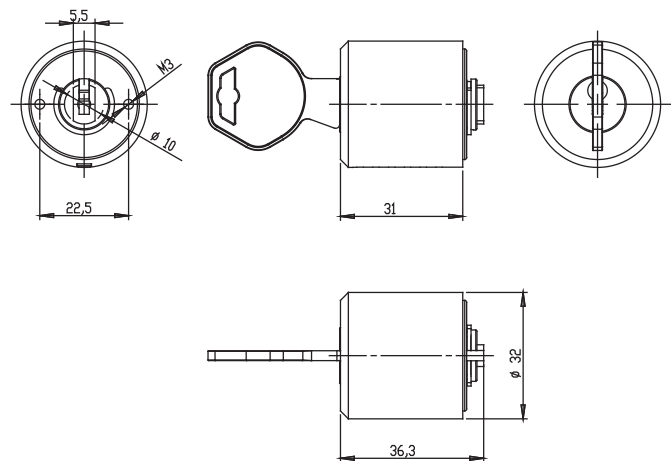
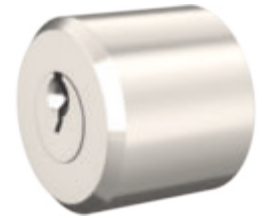
ANS2000 (ANS2)  
CNS2000 (CNS2)  
AP3000 (AP3)

#### Door lock series

No lock  
1206 (1206)  
1207 (1207)  
1216 (1216)  
1217 (1217)

#### Number of pins

Five pins (5)  
Six pins (6)



# Inside Rim Cylinders

G.IZ | Inside Rim Cylinders, Diameter 32 mm

## **Surface cylinder**

Nickel-plated (NI)

Brass, dull (MS)

Brass, polished (MP)

Bronzed (BD)

## **Finished surface-mounted lock**

Chrome-plated/chrome (CR)

Gold-plated (GO)

Metal, natural (MEN)

Patinated colour lacquered (PAT)

RAL 9016 traffic white

## **Locking element**

Side element (SE)

## **Blocking pin**

Active element for PX (PXA)

Active element for PXP (PXPA)

# Inside Rim Cylinders

G.IZ.AG001 | Inside Rim Cylinder AG001, Zeiss IKON

## Application

Inside rim cylinder for Zeiss Ikon surface-mounted locks  
The inside rim cylinder replaces the knob on the lock case on the inside of the door.

## Specification

- Housing made from solid natural brass, surface nickel-plated
- Serrated key made of nickel silver
- With cam
- Housing diameter 29 mm

## Included with the cylinder

- Three serrated keys, for all key types, see chapter 'Keys with systems and clips'
- Two fastening screws M3 × 25 mm
- Security card for ownership registration and ordering duplicate keys
- Installation and maintenance instructions

## Order example

PXP/IZ/AG001/5/NI/SE/... cylinder options

## Cylinder options as follows:

### Technical system

#### - Premier systems

pextra plus (PXP)  
pextra (PX)  
AP2000 (AP2)  
AP2000 (SYST)  
APN (APN)

#### - Legacy systems

ANS2000 (ANS2)  
CNS2000 (CNS2)

### Number of pins

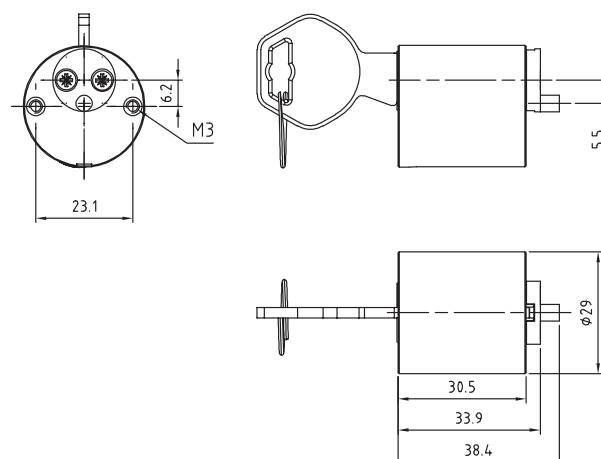
Five pins (5)  
Six pins (6)

### Surface cylinder

Nickel-plated (NI)  
Brass, dull (MS)  
Brass, polished (MP)

### Locking element

Side element (SE)



# Inside Rim Cylinders

G.IZ.AG001 | Inside Rim Cylinder AG001, Zeiss IKON

**Blocking pin**

Active element for PX (PXA)

Active element for PXP (PXPA)

# Inside Rim Cylinders

G.IZ.AG037 | Inside Cylinder AG037, CISA

## Application

Inside rim cylinder for CISA surface-mounted locks

## Specification

- Housing made from solid natural brass, surface nickel-plated
- Serrated key made of nickel silver or nickel-plated
- Housing diameter 31 mm

## Included with the cylinder

- Three serrated keys, for all key types, see chapter 'Keys with systems and clips'
- Cam
- Security card for ownership registration and ordering duplicate keys
- Installation and maintenance instructions

## Order example

PXP/IZ/AG037/5/NI/SE/... cylinder options

## Cylinder options as follows:

### Technical system

#### - Premier systems

pextra plus (PXP)  
 pextra (PX)  
 AP2000 (AP2)  
 AP2000 (SYST)  
 ESP (ESP)  
 Profile 1 (PO01)

#### - Legacy systems

ANS2000 (ANS2)  
 CNS2000 (CNS2)

### Number of pins

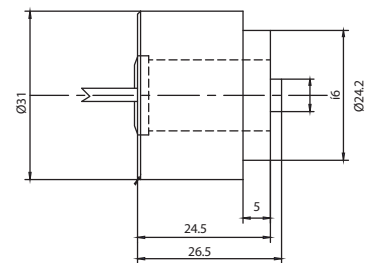
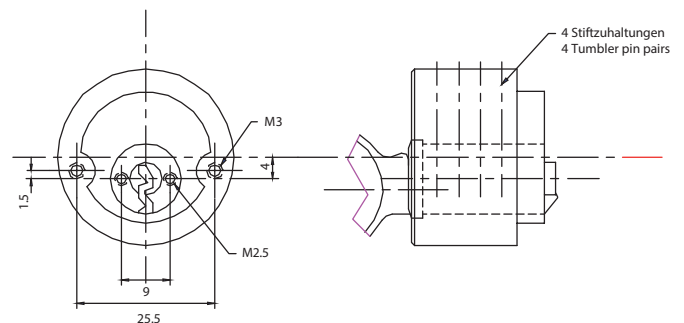
4  
 Five pins (5)

### Surface cylinder

Nickel-plated (NI)  
 Brass, dull (MS)  
 Brass, polished (MP)

### Locking element

Side element (SE)



# Elevator Cylinders

## G.AFZ.AG026 | Elevator Control Cylinder AG026, Sowitsch/Freisler/Otis

### Application

Key-operated switch cylinder for elevators

### Specification

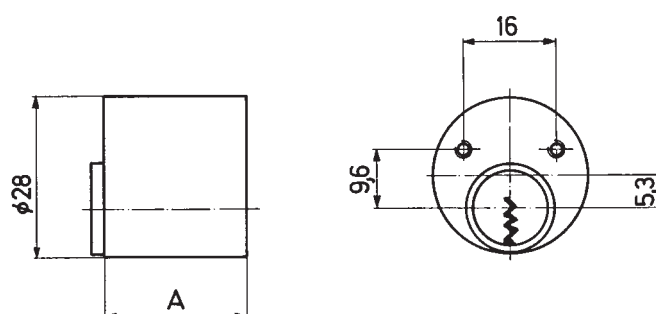
- Housing made from solid natural brass with a chrome-plated surface
- Serrated key made of nickel silver

### Included with the cylinder

- Two serrated keys, for all key types, see chapter 'Keys with systems and clips'
- Security card for ownership registration and ordering duplicate keys
- Installation and maintenance instructions

### Order example

PXP/AFZ/AG026/D28/5/26,5/CR ... cylinder options



### Cylinder options as follows:

#### Technical system

##### - Premier systems

pextra plus (PXP)

pextra (PX)

pextra3 (PX3)

AP2000 (AP2)

AP2000 (SYST)

AP2pro (AP2pro)

APN (APN)

##### - Legacy systems

ANS2000 (ANS2)

ANS3000 (ANS3)

CNS2000 (CNS2)

AP3000 (AP3)

#### Type cylinder

AG026 - Z 206.002.201 (AG026)

#### Type diameter

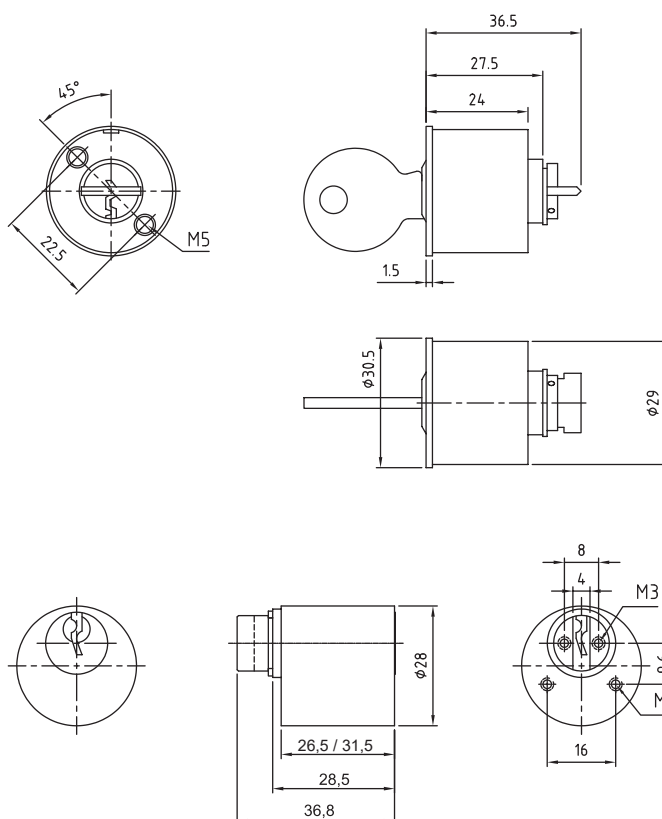
Diameter 28 mm (D28)

#### Number of pins

Five pins (5)

#### Length furniture cylinder

26,5





# Elevator Cylinders

G.AFZ.AG026 | Elevator Control Cylinder AG026, Sowitsch/Freisler/Otis

**Surface DZ side A**

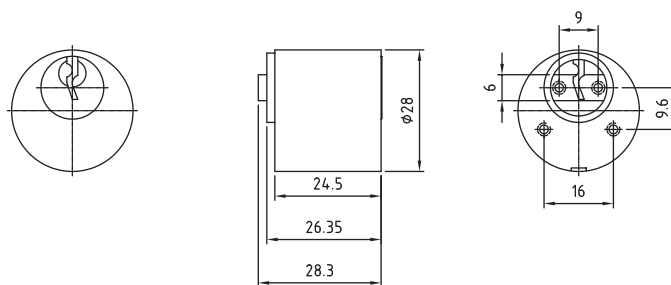
Nickel-plated (NI)  
Chrome-plated (CR)

**Key removal**

SZ1

**Locking element**

Side element (SE)



# Elevator Cylinders

G.AFZ.AG067 | Elevator Control Cylinder AG067, Sowitsch/Freisler/Otis

## Application

Key-operated switch cylinder for elevators

## Specification

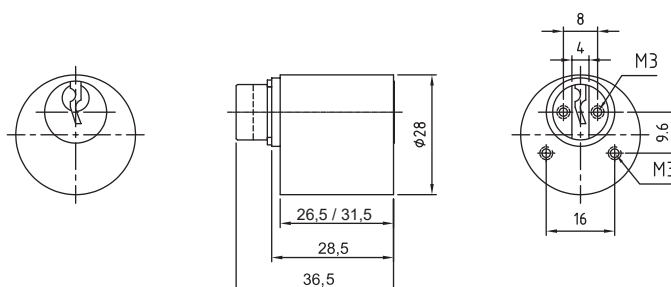
- Housing made from solid natural brass with a chrome-plated surface
- Serrated key made of nickel silver

## Included with the cylinder

- Two serrated keys, for all key types, see chapter 'Keys with systems and clips'
- Security card for ownership registration and ordering duplicate keys
- Installation and maintenance instructions

## Order example

PXP/AFZ/AG067/D28/7/36,5/CR ... cylinder options



## Cylinder options as follows:

### Technical system

#### - Premier systems

pextra plus (PXP)  
 pextra (PX)  
 pextra3 (PX3)  
 AP2000 (AP2)  
 AP2000 (SYST)  
 AP2pro (AP2pro)  
 APN (APN)

#### - Legacy systems

ANS2000 (ANS2)  
 ANS3000 (ANS3)  
 CNS2000 (CNS2)  
 AP3000 (AP3)

### Type cylinder

AG067 - Z 206.002.012 (AG067)

### Type diameter

Diameter 28 mm (D28)

### Number of pins

Seven pins (7)

### Length furniture cylinder

36,5

### Surface DZ side A

Chrome-plated (CR)

# Elevator Cylinders

G.AFZ.AG067 | Elevator Control Cylinder AG067, Sowitsch/Freisler/Otis

**Key removal**

SZ1

**Locking element**

Side element (SE)

# Bible Cylinders

G.BIBLE.AG263 | Bible Cylinder AG263, CISA

## Application

Profile cylinder for CISA surface-mounted locks

## Specification

- Housing made from solid natural brass, surface nickel-plated
- Serrated key made of nickel silver or nickel-plated

## Included with the cylinder

- Three serrated keys, for all key types, see chapter 'Keys with systems and clips'
- Security card for ownership registration and ordering duplicate keys
- Installation and maintenance instructions

## Order example

PXP/BIBLE/AG263/5/NI/SE/... cylinder options

## Cylinder options as follows:

### Technical system

#### - Premier systems

pextra plus (PXP)  
 pextra (PX)  
 pextra3 (PX3)  
 AP2000 (AP2)  
 AP2000 (SYST)  
 ESP (ESP)  
 APN (APN)  
 Profile 1 (PO01)

#### - Legacy systems

ANS2000 (ANS2)  
 ANS3000 (ANS3)  
 CNS2000 (CNS2)  
 HKS2000 (HKS2)  
 AP3000 (AP3)

### Type cylinder

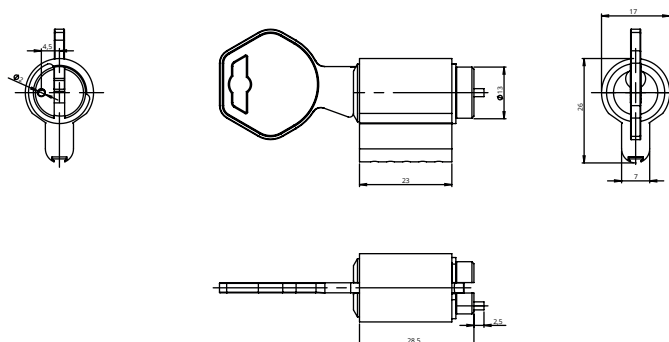
AG263 Bible (AG263)

### Number of pins

Five pins (5)

### Surface cylinder

Nickel-plated (NI)  
 Brass, dull (MS)  
 Chrome-plated (CR)  
 Chrome, satin (CRM)  
 Chrome, polished (CRP)



# Bible Cylinders

G.BIBLE.AG263 | Bible Cylinder AG263, CISA

Chrome, scotch (CRS)

Brass, polished (MP)

Brass, brushed (MB)

Bronzed light (BH)

Bronzed medium (BM)

Bronzed dark (BD)

**Locking element**

Side element (SE)

# Snowman Cylinders

## G.SNOWMAN | Snowman Cylinder

### Application

For use in padlocks with snowman profile

### Specification

- Housing made from solid natural brass, surface nickel-plated
- Serrated key made of nickel silver or nickel-plated

### Included with the cylinder

- Two serrated keys, for all key types, see chapter 'Keys with systems and clips'
- Security card for ownership registration and ordering duplicate keys
- Installation and maintenance instructions

### Order example

PXP/SNOWMAN/5/NI/SE/PXPA/... cylinder options

### Cylinder options as follows:

#### Technical system

##### - Premier systems

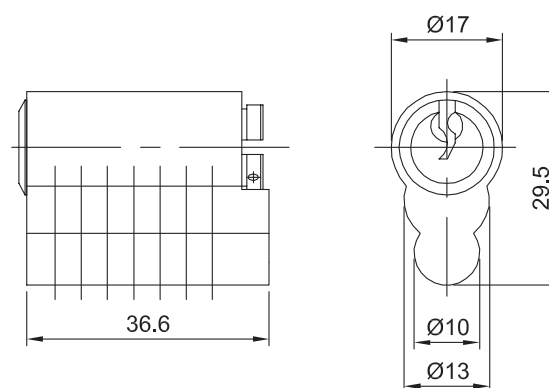
pextra plus (PXP)  
 pextra (PX)  
 pextra3 (PX3)  
 AP2000 (AP2)  
 AP2000 (SYST)  
 Profile 1 (P001)

##### - Legacy systems

ANS2000 (ANS2)  
 CNS2000 (CNS2)  
 HKS2000 (HKS2)  
 AP3000 (AP3)  
 AP4000 (AP4)

#### Number of pins

Five pins (5)  
 Six pins (6)  
 Seven pins (7)



# Snowman Cylinders

## G.SNOWMAN | Snowman Cylinder

### Surface cylinder

Nickel-plated (NI)  
Brass, dull (MS)  
Chrome-plated (CR)  
Chrome, satin (CRM)  
Chrome, polished (CRP)  
Brass, polished (MP)  
Brass, brushed (MB)  
Bronzed light (BH)  
Bronzed medium (BM)  
Bronzed dark (BD)

### Surface barrel

Nickel-plated (NI)  
Brass, dull (MS)  
Chrome-plated/chrome (CR)  
Chrome, satin (CRM)  
Chrome, polished (CRP)  
Chrome, scotch (CRS)  
Brass, polished (MP)  
Brass, brushed (MB)  
Bronzed light (BH)  
Bronzed medium (BM)  
Bronzed (BD)

### Locking element

Side element (SE)

### Blocking pin

Active element for PX (PXA)  
Active element for PXP (PXPA)

### Economy style

No, four security pins and S-pinning  
Economy, no security pins (E)  
No, seven security pins and S-pinning (7SSK)

### Screw type

Screw version (SCHRAUB)

### Locking function A

Self-changable cylinder (SUZ)  
Self-changable cylinder one-time (SUZ1)  
Two SUZ drillings (2 + 7)  
Reflex

### Wear-resistant barrel A

Wear-resistant barrel side A (VK-A)

### Backmilled side A

Backmilled 9 mm side A (RG9-A)

# Glass Door Lock Cylinders

## G.GTS | Glass Door Cylinder

### Application

Lock cylinder for furniture with glass doors

### Specification

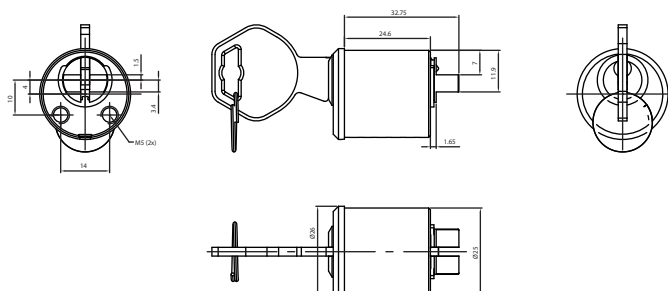
- Housing made from solid natural brass, surface nickel-plated
- Serrated key made of nickel silver or nickel-plated
- Length cylinder 24,5 mm

### Included with the cylinder

- Two serrated keys, for all key types, see chapter 'Keys with systems and clips'
- Security card for ownership registration and ordering duplicate keys
- Installation and maintenance instructions

### Order example

PXP/GTS/5/NI/SE/... cylinder options



### Cylinder options as follows:

#### Technical system

##### - Premier systems

pextra plus (PXP)  
 pextra (PX)  
 pextra3 (PX3)  
 AP2000 (AP2)  
 AP2000 (SYST)  
 APN (APN)

##### - Legacy systems

ANS2000 (ANS2)  
 ANS3000 (ANS3)  
 CNS2000 (CNS2)  
 HKS2000 (HKS2)  
 AP3000 (AP3)

#### Surface DZ side A

Nickel-plated (NI)

#### Locking element

Side element (SE)



# Surface Mounted Door Locks

## G.ZUS.1200 | Surface Mounted Security Locks, Series 1200

### Application

For home and apartment front doors, opening inwards. Provides a visible additional locking point on front doors. The bracket allows the door, after one bolt throw, to be safely opened wide enough to see outside and prevents forced entry.

### Specification

- Lock case with knob or inside cylinder, bolt case and security latch
- Bolt case with nickel-plated striking plate or locking bracket
- Lock set to left (changeable)
- Tailpiece 65 mm, can be shortened on-site

### Included with the cylinder

- Installation and maintenance instructions
- Drilling template

### Order example

G/ZUS/1200/MEN

### Cylinder options as follows:

#### Door lock series

1200 bolt deadlock, with locking bracket, knob and outside cylinder AZ.24

1205 bolt deadlock, without locking bracket, with knob with outside cylinder AZ.24

1206 bolt deadlock, without bracket, with outside and inside cylinders AZ.24 and IZ

1207 bolt lock, with bracket with outside and inside cylinders AZ.24 and IZ

### Finished surface-mounted lock

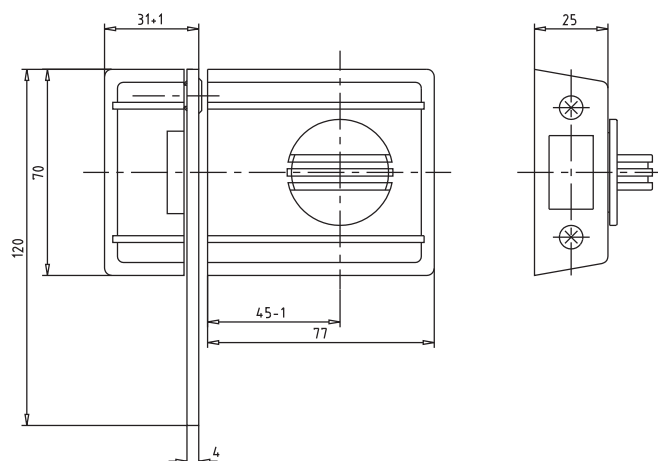
Metal, natural (MEN)

Chrome-plated/chrome (CR)

Gold-plated (GO)

Patinised colour lacquer (PAT)

RAL 9016 traffic white



# Surface Mounted Door Locks

## G.ZUS.1210 | Surface Mounted Security Locks, Series 1210

### Application

For home and apartment front doors, opening inwards. Provides a visible additional locking point on front doors. The bracket allows the door, after one bolt throw, to be safely opened wide enough to see outside and prevents forced entry.

### Specification

- Lock case with knob or inside cylinder, bolt case and security latch
- Bolt case with nickel-plated striking plate or locking bracket
- Lock set to left (changeable)
- Tailpiece 65 mm long, can be shortened on-site

### Included with the cylinder

- Installation and maintenance instructions
- Drilling template

### Order example

G/ZUS/1210/MEN

### Cylinder options as follows:

#### Door lock series

1210 bolt deadlock, with locking bracket, knob and outside cylinder AZ.29

1215 bolt lock, without locking bracket, with knob with outside cylinder AZ.29

1216 bolt deadlock, without bracket, with outside and inside cylinders AZ.29 and IZ

1217 bolt deadlock, with bracket with outside and inside cylinders AZ.29 and IZ

### Finished surface-mounted lock

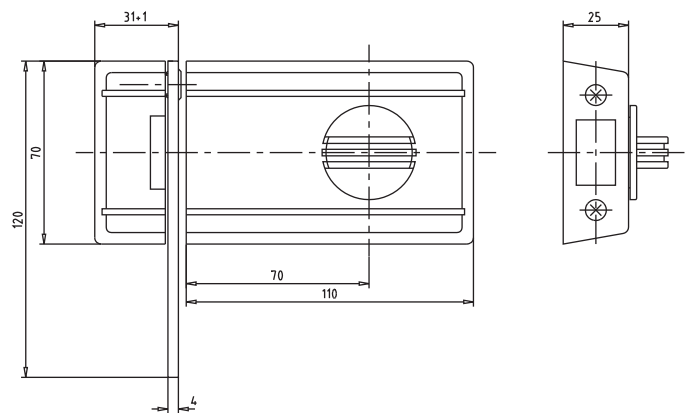
Metal, natural (MEN)

Chrome-plated/chrome (CR)

Gold-plated (GO)

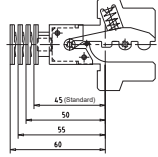
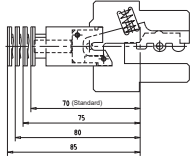
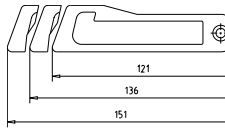

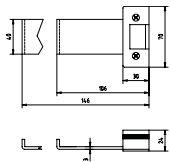
Patinated colour lacquered (PAT)

RAL 9016 traffic white



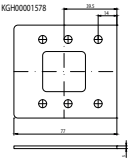
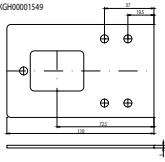

# Surface Mounted Door Locks

## Accessories for Surface-Mounted Locks Series 1200/1210

Bestellcode	Beschreibung	Bild	Maßzeichnung
	Bolt extensions for series 1200		
ZUST/1/1 2011034126	Series 1200, 5 mm extension = backset 50 mm		
ZUST/1/2 2011034169	Series 1200, 10 mm extension = backset 55 mm		
ZUST/1/3 2011034177	Series 1200, 15 mm extension = backset 60 mm		
	Bolt extensions for series 1210		
ZUST/1/5 2011040843	Series 1210, 5 mm extension = backset 75 mm		
ZUST/1/10 2011040851	Series 1210, 10 mm extension = backset 80 mm		
ZUST/1/15 2011613892	Series 1210, 15 mm extension = backset 85 mm		
ZUST/1/20 2011658926	Series 1210, 20 mm extension = backset 90 mm		
ZUST/1/25 2011658927	Series 1210, 25 mm extension = backset 95 mm		
ZUST/1/35 2011704914	Series 1210, 35 mm extension = backset 105 mm		
	Security brackets		
ZUST/1200/1210 2011624695	Standard bracket, 121 mm long		
ZUST/15/136 2011040878	15 mm bracket extension, total length: 136 mm		
ZUST/30/151 2011612887	30 mm bracket extension, total length: 151 mm		
	Security bracket for outward-opening doors for series 1200/1210 surface locks		
ZUST/8/MEN 2011040894	Natural metal		
ZUST/8/PAT 2011040908	Patinated		





# Surface Mounted Door Locks

## Accessories for Surface-Mounted Locks Series 1200/1210

Bestellcode	Beschreibung	Bild	Maßzeichnung
ZUST/8/VM # 2011040916	Brass		
ZUST/8/CH 2011272922	Chrome-plated		
	Spacer plates for bolt case, series 1200		
ZUST/7/1,2 2011035815	Plate thickness: 1.2 mm		
ZUST/7/2 2011035793	Plate thickness: 2 mm		
	Support plates for surface-mounted locks		
ZUST/7A/1,2 2011035823	Plate thickness: 1.2 mm		
ZUST/7A/2 2011035807	Plate thickness: 2 mm		
	Precision drilling template for series 1200/1210, with steel inserts		
ZUST/19/BL 2011008508	Drilling template with steel inserts, drawing no. 900.007.001		
	Rosette, round		
ZUST/18/R/24/NI 2011629783	Diameter: 24 mm		
ZUST/18/R/24/MP 2011628942	Diameter: 24 mm		
ZUST/18/R/24/BM 2011635211	Diameter: 24 mm		
ZUST/18/R/24/BD 2011710249	Diameter: 24 mm		
ZUST.18.R.29.NI 2011059560	Diameter: 29 mm		
ZUST/18/R/29/MP 2011058068	Diameter: 29 mm		
ZUST/18/R/29/MP 2011062545	Diameter: 29 mm		
ZUST/18/R/29/BM 2011662175	Diameter: 29 mm		


# Surface Mounted Door Locks

## Accessories for Surface-Mounted Locks Series 1200/1210

Bestellcode	Beschreibung	Bild	Maßzeichnung
ZUST/18/R/29/CRP 2011619252	Diameter: 29 mm  Rosette, square		
ZUST/18/E/NI 2011008494	Nickel-plated		
ZUST/18/E/PAT 2011044415	Patinated  Bolt case for surface-mounted locks		
K/ROSETTE/1007/NI/ M.DECKEL 2030010360			
ZUST/4B/MEN 2011608571	With security bracket		
ZUST/4S/MEN 2011608572	Without security bracket		
ZUST/4B/GO 2011608661	With security bracket		
ZUST/4S/GO 2011608659	Without security bracket		
ZUST/4B/PAT 2011608662	With security bracket		
ZUST/4S/PAT 2011608660	Without security bracket		
ZUST/4B/CH 2011611923	With security bracket		
ZUST/4S/CH 2011608973	Without security bracket  Spacer plates for bolt case		
ZUST/1/BL/PASS 2011269867	1 mm thick and blue passivated for lock cases in NI, CH and MEN  Spacer plates for bolt cases		

# Surface Mounted Door Locks

## Accessories for Surface-Mounted Locks Series 1200/1210

Bestellcode	Beschreibung	Bild	Maßzeichnung
ZUST/5/MEN 2011269786	5 mm thick, natural metal		
ZUST/5/CH 2011269794	5 mm thick, chrome-plated		
ZUST/5/PAT-LACK 2011269808	5 mm thick, patinated		
ZUST/5/GO 2011269816	5 mm thick, gold-plated		
	Spacer plates for bolt cases		
ZUST/12/MEN 2011269824	5 mm thick, natural metal		
ZUST/12/CH 2011269832	12 mm thick, chrome-plated		
ZUST/12/PAT 2011269840	12 mm thick, patinated		
ZUST/12/GO 2011269859	12 mm thick, gold-plated		

# Key Cabinets

## G.SK | Key Cabinet

### Application

For key storage, safe and discernible storage of 50 to 300 keys

### Specification

- Key cabinet with camlock
- Housing and door made of sheet metal
- One door, colour grey, hook racks freely adjustable, sequential numbering
- For over 150 hooks with two hinged panels
- Serrated key made of nickel silver



### Included with the cylinder

- Two ea. serrated keys, for all key types, see chapter 'Keys with system and clips'
- Security card for ownership registration and ordering duplicate keys
- Installation and maintenance instructions

### Order example

PXP/SK/5/50HAK/CR/SE/... cylinder options

### Cylinder options as follows:

#### Technical system

##### - Premier systems

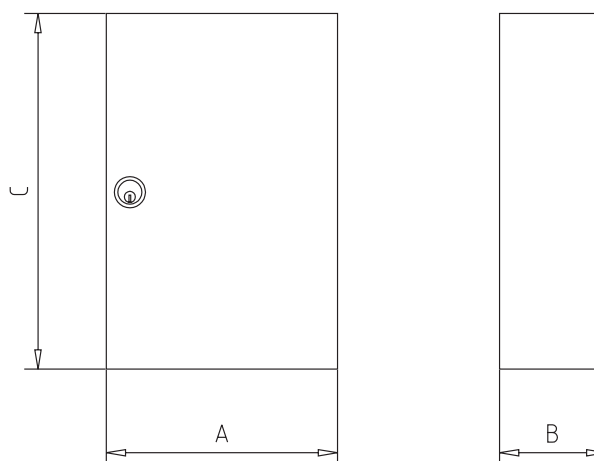
- pextra plus (PXP)
- pextra (PX)
- pextra3 (PX3)
- AP2000 (AP2)
- AP2000 (SYST)
- APN (APN)

##### - Legacy systems

- ANS2000 (ANS2)
- ANS3000 (ANS3)
- ANS4000 (ANS4)
- CNS2000 (CNS2)
- HKS2000 (HKS2)
- HKS4000 (HKS4)
- AP3000 (AP3)
- AP4000 (AP4)

### Number of pins

- Five pins (5)
- Six pins (6)
- Seven pins (7)



Type	Hooks	A	B	C
SK.050	50	380	80	510
SK.100	100	380	80	510
SK.150	150	380	140	510
SK.200	200	380	140	510
SK.250	250	380	200	510
SK.300	300	380	200	510
All dimensions in mm				

# Key Cabinets

## G.SK | Key Cabinet

### **Hooks**

50 hooks (50HAK)

100 hooks (100HAK)

150 hooks (150HAK)

200 hooks (200HAK)

250 hooks (250HAK)

300 hooks (300HAK)

### **Surface cylinder**

Chrome-plated (CR)

### **Locking element**

Side element (SE)



# Key Cabinets

## G.NSK | Emergency Key Cabinet

### Application

For safe storage of emergency keys

### Specification

- Key cabinet with camlock
- Cabinet housing made of sheet metal
- Window and hammer on a chain optional
- Serrated key made of nickel silver

### Included with the cylinder

- Two ea. serrated keys, for all key types, see chapter 'Keys with system and clips'
- Security card for ownership registration and ordering duplicate keys
- Installation and maintenance instructions

### Order example

PXP/NSK/5/CR/SE/GL/ ... Cylinder options

### Cylinder options as follows:

#### Technical system

##### - Premier systems

pextra plus (PXP)  
 pextra (PX)  
 pextra3 (PX3)  
 AP2000 (AP2)  
 AP2000 (SYST)  
 APN (APN)

##### - Legacy systems

ANS2000 (ANS2)  
 ANS3000 (ANS3)  
 ANS4000 (ANS4)  
 CNS2000 (CNS2)  
 HKS2000 (HKS2)  
 HKS4000 (HKS4)  
 AP3000 (AP3)  
 AP4000 (AP4)

### Number of pins

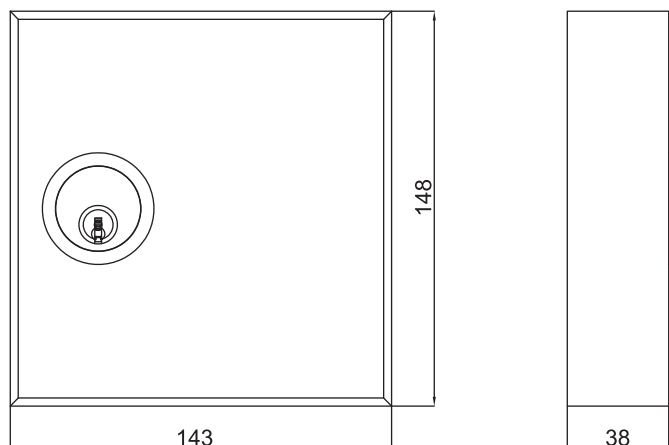
Five pins (5)  
 Six pins (6)  
 Seven pins (7)

### Surface cylinder

Chrome-plated (CR)

### Locking element

Side element (SE)



# Key Cabinets

## G.NSK | Emergency Key Cabinet

### **Type**

With glass (GL)

No glass (no\_GL)

With hammer (w\_HA)

# Key Deposits

## G.SD | Key Deposit

### Application

An individually coded key (e.g. a private entry door key) must be inserted into the lock and turned 90° (no retraction while inserted) in order to retrieve the site master key. Furthermore, the individual key can only be retracted after the site master key has been replaced again. This ensures that cleaning personnel cannot leave the building with the master key.

### Specification

- Cabinet housing made of sheet metal, colour red, with camlock cylinder
- Serrated key made of nickel silver

### Included with the cylinder

- Two ea. serrated keys, for all key types, see chapter 'Keys with system and clips'
- Security card for ownership registration and ordering duplicate keys
- Installation and maintenance instructions

### Order example

PXP/SD/5/CR/SE/1 Pair ... Cylinder options

### Cylinder options as follows:

#### Technical system

##### - Premier systems

pextra plus (PXP)

pextra (PX)

pextra3 (PX3)

AP2000 (AP2)

AP2000 (SYST)

APN (APN)

##### - Legacy systems

ANS2000 (ANS2)

ANS3000 (ANS3)

ANS4000 (ANS4)

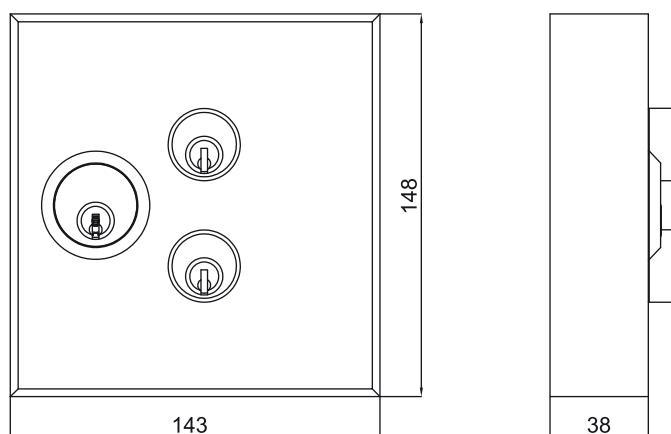
CNS2000 (CNS2)

HKS2000 (HKS2)

HKS4000 (HKS4)

AP3000 (AP3)

AP4000 (AP4)



# Key Deposits

## G.SD | Key Deposit

### **Number of pins**

Five pins (5)

Six pins (6)

Seven pins (7)

### **Deposit box**

Key depot 1 pair

Key depot 2 pairs

Key depot 3 pairs

Key depot 4 pairs

Key depot five pairs

Key depot six pairs

Key depot seven pairs

Key depot 8 pairs

### **Surface cylinder**


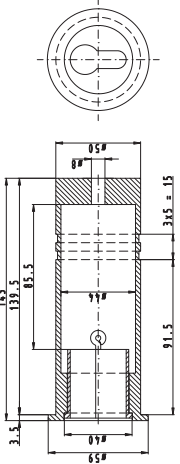

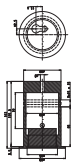

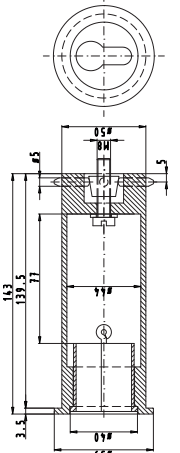
Chrome-plated (CR)

### **Locking element**

Side element (SE)


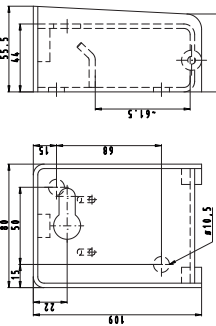
# Key Deposits

## Key Deposit Tubes with Serrated Key Cylinders

Bestellcode	Beschreibung	Bild	Maßzeichnung
	<p><b>DSR/Key deposit tube</b></p> <p><b>Application:</b> Key deposit tube for cementing in walls for the storage of master keys for emergencies (to allow access for the fire brigade, police, security guards, etc.)</p> <p><b>Specification:</b> Housing made of metal and lid made of aluminium or stainless steel. Tube diameter: 50 mm or 80 mm Surface finish anodised for Euro profile single cylinders with 30 mm to cam centre (HZ.30) Lid made of aluminium The single cylinder is not included with the tube and must be ordered separately. See chapter one.</p> <p><b>Included with delivery:</b> Tube with lid</p> <p><b>Length:</b> 143 mm</p>		
DSR/50/ALU 2011681478	<b>ALU:</b> cover made of aluminium		
DSR/50/NIRO 2011681479	<b>NIRO:</b> cover made of stainless steel		
DSR/ROS/50/NIRO 2011681480	<b>ROS:</b> with stainless-steel rosette <b>NIRO:</b> cover made of stainless steel		
DSR/ROS/D/50/NIRO 2011681481	<b>ROS/D:</b> with stainless-steel rosette and cover <b>NIRO:</b> cover made of stainless steel		
DSR/ROS/80/NIRO 2011681484	<b>ROS:</b> with stainless-steel rosette <b>NIRO:</b> lid made of stainless steel		
DSR/ROS/D/80/NIRO 2011681485	<b>ROS.D:</b> with stainless-steel rosette and cover <b>NIRO:</b> cover made of stainless steel		
DSR/A/50/ALU or DSR/A/50/NIRO	<p><b>Application:</b> Key deposit tube for cementing in walls for the storage of master keys for emergencies (to allow access for the fire brigade, police, security guards, etc.)</p> <p><b>Specification:</b> Housing made of metal and lid made of aluminium or stainless steel. Surface finish anodised for Euro profile single cylinders with 30 mm to cam centre (HZ.30). The single cylinder is not included with the tube and must be ordered separately. See chapter 'Mortise lock cylinders'.</p> <p><b>Included with delivery:</b> Tube with lid</p> <p><b>Length:</b> 143 mm</p> <p><b>Order codes:</b> DSR/A/50/NIRO - stainless-steel lid DSR/A/50/ALU – aluminium lid</p>		

# Key Deposits

## Key Deposit Tubes with Serrated Key Cylinders

Bestellcode	Beschreibung	Bild	Maßzeichnung
DSR/A/50/ALU or DSR/A/50/NIRO 2011681476	<p><b>Application:</b> Key deposit tube for cementing in walls for the storage of master keys for emergencies (to allow access for the fire brigade, police, security guards, etc.)</p> <p><b>Specification:</b> Housing made of metal and lid made of aluminium or stainless steel. Surface finish anodised for Euro profile single cylinders with 30 mm to cam centre (HZ.30). The single cylinder is not included with the tube and must be ordered separately. See chapter 'Mortise lock cylinders'.</p> <p><b>Included with delivery:</b> Tube with lid</p> <p><b>Length:</b> 143 mm</p> <p><b>Order codes:</b> DSR/A/50/NIRO - stainless-steel lid DSR/A/50/ALU - aluminium lid</p>		
DSR/A/50/NIRO 2011681477	<p><b>Lid:</b> made of stainless steel</p> <p><b>APT/Surface-mounted key deposit</b></p> <p><b>Application:</b> Surface-mounted key deposit for the storage of master keys for emergencies (to allow access for the fire brigade, police, security guards, etc.)</p> <p><b>Specification:</b> All parts made of steel. Surface finish anodised for Euro profile single cylinders with 30 mm to cam centre (HZ.30). The single cylinder is not included with the tube and must be ordered separately.</p> <p><b>Included with delivery:</b> Key deposit without screws and without single cylinder</p> <p><b>Space requirements:</b> 109 × 80 × 55.5 mm</p>		
APT/NIRO 2011681486			
APT/RAL7032 (KIESELGRAU) 2011701195	<p><b>Colour:</b> RAL7032 (grey)</p>		

## 1. Validity of the terms and conditions

For business transactions with dormakaba Austria GmbH (hereinafter dormakaba), logged to FN 32553y, the following general terms and conditions apply exclusively. These general terms and conditions are binding for all of dormakaba's current and future business dealings with all of dormakaba's contract partners (hereinafter also referred to as Purchaser), even if they are not expressly referred to. Provisions differing from dormakaba's general terms and conditions - in particular the Purchaser's general terms and conditions - as well as additions only become part of the contract if this has been confirmed by dormakaba in writing.

## 2. Offers, cost estimates and conclusion of contract

dormakaba's offers are non-binding, unless they are expressly designated as binding.

A cost estimate is made by dormakaba according to its best expert knowledge, but no guarantee can be given for its accuracy. dormakaba will inform the purchaser immediately if cost increases of more than 15% should prove to be unavoidable after the order has been placed. If there are unavoidable cost overruns up to 15%, a separate agreement is not required and these costs can be readily invoiced. Unless otherwise agreed, order changes or additional orders may be invoiced at reasonable prices.

Cost estimates are subject to a fee. A fee paid for the cost estimate will be credited if an order is placed on the basis of this estimate.

The contract is concluded by its actual execution or by a written order confirmation from dormakaba. If amendments to the contract are technically possible, the costs shall be borne by the Purchaser, provided that the amendment lies within his area of responsibility. A cancellation of the contract by the Purchaser is not possible.

## 3. Confidentiality

The Purchaser hereby irrevocably undertakes to maintain absolute secrecy about all business and trade secrets that dormakaba made accessible, available or otherwise known to him in connection with or due to a business relationship or contact with dormakaba, and not to make them accessible to third parties in any way whatsoever without dormakaba's consent. Furthermore, the Purchaser undertakes to use information only on a need-to-know basis and only in the context of the concluded contract.

The duty of confidentiality also remains valid after termination of the business relationship and independently of a business relationship with dormakaba.

## 4. Transfer and acceptance of risk

In the case of works and goods deliveries (including software on data carriers) in Austria, the transfer of risk takes place upon dispatch with the handover to the carrier, otherwise with the handover to the delivery address specified by the Purchaser. In the case of export business (deliveries outside Austria), the transfer of risk takes place at the time the work or goods are made available to the Purchaser (Ex Works according to Incoterms 2000).

In the case of work contracts, the risk passes to the Purchaser when the work is handed over. In particular, a transfer shall be deemed to have been made if the entire or partially delivered work is within the control of the Purchaser or his contractual partners and/or the work is used by the Purchaser or his contractual partners.

If software is made available in the form of a download, the transfer of risk takes place at the time the download is made available.

Duly offered, available or provided deliveries and services are to be accepted, otherwise default of acceptance occurs.

In the event of default of acceptance, the transfer of risk takes place in any case when the default occurs at the latest. dormakaba is also entitled to partial deliveries and partial services without a separate agreement. The Purchaser is not entitled to refuse to accept partial deliveries or partial services.

## 5. Transport and shipping/disposal costs

Claims arising from damage or loss must be immediately asserted to the carrier.

The costs for express consignments, which are to be borne in any case by the Purchaser, are exempted unless otherwise agreed in the order confirmation.

Deliveries with a net invoice of more than EUR 750 and within Austria come with free freight and packaging. dormakaba is an ARA member, therefore packaging material is not taken back.

For cylinder keys, the registration fee (post) or the shipping fee (parcel service) will be charged to the Purchaser. For COD shipments, the COD charges are to be borne by the recipient.

The costs for the collection and handling of electrical and electronic equipment to be taken back in accordance with the Waste Electrical Equipment Ordinance are to be borne by the Purchaser.

## 6. Delivery delay and exemption from the delivery obligation

Delivery dates specified by dormakaba are adhered to by dormakaba as far as possible and are always to be regarded as estimated dates of the handover or transfer to the carrier.

The delivery period begins only after written technical clearance. The delivery period shall be extended appropriately if dormakaba does not receive the information necessary for the execution of the order as agreed or if the order is modified.

In the event of any exceptional circumstances for which dormakaba is not responsible and which cause a significant disruption of operation, and delay or render impossible the production, provision or dispatch of the goods or services, the delivery time shall be extended appropriately or if this is impossible dormakaba is entitled to withdraw in writing from the contract regarding the not yet accepted goods or services.

A withdrawal from the contract by the Purchaser due to delay in delivery is only possible in writing by setting a reasonable grace period of at least 8 weeks. Delays or withdrawal from the contract by dormakaba due to impossibility do not entitle the Purchaser to refuse acceptance of the works and goods already delivered or produced or the service rendered or to claim compensation for damages and costs arising therefrom. In particular, the Purchaser is not entitled to demand any contractual penalties he may have agreed upon with third parties in the event of late delivery by dormakaba.

## 7. Default of acceptance

Goods which have been duly offered but not actually accepted by the agreed date shall be stored for a period of 6 weeks at the Purchaser's risk and expense. If the acceptance has not occurred after expiry of this period, dormakaba is entitled to freely dispose of the ordered goods, whereby dormakaba's delivery obligation is waived. Nevertheless, dormakaba is entitled to charge the invoice value. This shall also apply in the event of impossibility occurring within the Purchaser's sphere of influence.

## 8. Prices and price changes

All prices are given in Euros. Unless otherwise agreed, the currently applicable dormakaba price lists apply. The statutory sales tax will be added to the invoice at the rate applicable at the time. The pricing in the order confirmation is binding.

For services provided on Saturdays/Sundays and times other than normal working hours (Monday - Thursday 7.30 am to 4.30 pm, Friday 7.30 am to 12.00 noon), as well as on public holidays, a surcharge will be charged in the amount given in § 10 (1) clause 1 of the Austrian Working Time Act, based on the calculation of the normal hourly rate resulting from the price list. For orders involving several units, dormakaba is entitled to carry out partial deliveries and to issue partial invoices.

## 9. Small quantity surcharge / Over- and under-delivery

Small parts are delivered exclusively in the intended packing units. If the purchase quantity is less than one packing unit,

a 12% surcharge (plus VAT) per item will be charged unless otherwise stated in the order confirmation or in the price list.

Replacement keys, cylinder re-orders for locking systems and cylinders for certain locks are not affected by this provision.

In the event of over- or under-delivery of up to 10% of the ordered quantity due to production, dormakaba will charge for the quantity actually delivered.

In this case, there is no entitlement to subsequent delivery or return of the difference in quantity.

## 10. Terms of payment

Unless otherwise agreed, invoices are due promptly, net cash.

dormakaba does not grant a discount for cash on delivery. For exceeding the term of payment, dormakaba charges 12% p.a. interest on arrears plus all handling costs as well as a reminder processing fee of €10. Only payments that are made to the respective paying agent will be accepted. Commercial instructions, bills of exchange and checks are only accepted on account of payment. For payment with acceptances or checks, dormakaba assumes no liability for a timely presentation.

In the case of an agreement to pay in installments, an installation deadline will be deemed as missed even if only one partial payment is late or not paid in full. Upon the deadline being missed, the entire outstanding balance is due for payment immediately. In case of a missed deadline, dormakaba has the right to take the goods delivered under retention of title without withdrawal from the purchase contract until the entire claim has been completely covered including ancillary costs.

## 11. Deterioration of financial situation

If dormakaba becomes aware of a material deterioration in the Purchaser's financial circumstances, or if the Purchaser defaults on the payment of a billing document from dormakaba, dormakaba is entitled to demand advance payment or other security for all outstanding deliveries, even where this deviates from the order confirmation.

## 12. Retention of title

All delivered goods remain the property of dormakaba until full payment of the purchase price. In the case of resale of the delivered goods by the Purchaser, dormakaba's retention of title extends to the proceeds obtained. In the case of further processing of the delivered goods, dormakaba acquires a proportionate co-ownership of the final product within the scope of its retention of title.

## 13. Warranty

The warranty period for all deliveries and services (e.g., repairs, maintenance or software) is 6 months after the transfer of risk.

The warranty period is 2 years after the transfer of risk exclusively in the case of installation by dormakaba itself or by dormakaba-trained and certified distribution partners or by dormakaba-trained and certified specialists.

No warranty is assumed for goods manufactured or modified by third parties, for example under license. The claim for warranty cannot be transferred to third parties without dormakaba's consent.

In the event of warranty, dormakaba is entitled to define the type of warranty itself. Other costs beyond the warranty will not be covered. § 924 ABGB sentence 2 does not apply.

In the case of third-party products, the warranty is limited to the fact that the Purchaser can demand the assignment of warranty claims to which dormakaba is entitled against the supplier of the third-party product. With the assignment, any warranty claim against dormakaba and any liability of dormakaba expires. For the assertion of warranty claims, dormakaba must always be provided with the rejected goods together with the proof of purchase. Defects and damages which are recognizable by a proper incoming inspection must immediately be reported in writing with the respective form currently provided by dormakaba for other loss of rights under warranty and damages, but at the latest within 3 days from the date of receipt accompanied by the delivery note. The reason for the complaint must be stated. Hidden defects must be reported in writing immediately after appearing.

In the case of improper use and improper installation of the products, any warranty shall lapse.

## 14. Deliveries of spare keys and the provision of codes for locking systems

Deliveries of spare keys and the provision of codes for locking systems are carried out exclusively in accordance with dormakaba's security guidelines published on the homepage [www.dormakaba.at](http://www.dormakaba.at).

## 15. Data protection

dormakaba is entitled to store, process and pass on personal data in compliance with the relevant data protection regulations as part of the provision of services and for the contractually agreed purposes. The Purchaser is responsible for ensuring the data subjects' consent to the storage, processing and transfer of personal data is submitted to the extent required.

Insofar as dormakaba is obliged to disclose data under existing legislation, dormakaba will comply with this obligation without the Purchaser or the data subjects being able to derive legal consequences from it. If the Purchaser and/or the end customer claims against dormakaba in connection with this, the Purchaser shall indemnify dormakaba and hold it harmless.

## 16. Product liability

If the Purchaser is not the user, his claims against dormakaba according to the Product Liability Act are excluded, as long as they are not for personal injury. These liability limitations are to be assigned entirely to any buyers with the obligation for further assignment to further buyers. The ordered goods offer only the security that can be expected taking into account the material-specific properties. Further product information is contained in German-language price lists and catalogs and can be obtained from dormakaba if required.

## 17. Liability for damages

dormakaba is exclusively liable, except for personal injury, for intentional or grossly negligent damage caused up to the amount of the invoice value.

However, dormakaba is in no case liable for any loss of profit, consequential damage or other financial loss of the Purchaser or of his contractual partners or other third parties.

## 18. Place of performance

The place of performance for all obligations is dormakaba's respective branch location.

## 19. Compensation ban

The Purchaser is not entitled to any right of retention or offsetting against dormakaba's demands or other claims.

## 20. Written form

Changes to these terms and conditions or additional agreements, as well as any departure from this, must be in writing.

Offers, orders or order confirmations must be in writing, including via e-mail or, in the case of e-commerce solutions, electronically without signature, in order to be legally valid.

## 21. Jurisdiction and applicable law

Jurisdiction is the relevant court for Herzogenburg, without prejudice to dormakaba's right to sue at any other jurisdiction. Applicable law is exclusively Austrian law excluding the UN Convention on Contracts for the International Sale of Goods.

## 22. Severability clause

Should any provision of these terms and conditions be or become wholly or partially legally invalid or unenforceable, this shall not affect the legal validity of all other terms and conditions. The contracting parties shall replace the invalid or unenforceable provision by an effective and enforceable provision that comes as close as possible to the content and purpose of the invalid or unenforceable provision.

## 23. General

The illustrations, dimensions and technical data in our price lists, catalogs, brochures and product descriptions are for illustration only, subject to possible printing errors, and can be changed at any time and adapted to new requirements. We reserve the right to carry out technical changes and changes in the price lists at any time.



# Index

2030   Weather Protection Cap	128	G.DKZ   Thumbturn Cylinder, Euro Profile	326
Accessories for Camlock Cylinder BMZ 1031/1061	135	G.DKZ_TS7   Thumbturn Cylinder Guard TS007, Euro Profile	336
Accessories for Outside Rim Cylinders for Surface-Mounted Locks	431	G.DZ   Double Cylinder, Euro Profile	323
Accessories for Serrated Key Office Furniture Locks, Type MZU	425	G.DZ_TS7   Double Cylinder Guard TS007, Euro Profile	334
Accessories for Surface-Mounted Locks Series 1200/1210	455	G.FL   Relative cam movement	308
ASS/3515/24002   Olives, without Locking Function	420	G.FZG   Freewheel Cylinder for Gear-Operated and Panic Locks	309
ASS/35xx/24002   Olive, without Locking Function	421	G.GF   Emergency Key Function	310
BDZ   Blind Double Cylinder, Euro Profile	338	G.GTS   Glass Door Cylinder	452
BDZ   Blind Double Cylinder, Euro Profile	68	G.HG   Hotel Function, Occupied Pin	311
BHZ   Blind Single Cylinder, Euro Profile	69	G.HZ   Single Cylinder, Euro Profile	331
BHZ   Blind Single Cylinder, Euro Profile	341	G.IZ   Inside Rim Cylinders, Diameter 32 mm	439
Cams and Accessories for K.BMZ.83-3-032   Camlock Cylinder	151	G.IZ.AG001   Inside Rim Cylinder AG001, Zeiss IKON	441
Emergency Override Key (GF)	34	G.IZ.AG037   Inside Cylinder AG037, CISA	443
FENSTERGRIFF.3495   Window Handle 3495, for Euro Profile Single Cylinder	424	G.LAM   Steel Reinforcement Plate	312
G.AFZ.AG026   Elevator Control Cylinder AG026, Sowitsch/Freisler/Otis	444	G.MZ.1080   Furniture Cylinder 1080	391
G.AFZ.AG067   Elevator Control Cylinder AG067, Sowitsch/Freisler/Otis	446	G.MZ.1095   Furniture Cylinder Lock, for Sliding Doors	397
G.AS   Pulling Protection	305	G.MZ.1335   Furniture Cylinder Lock 1335	399
G.AZ.AG012   Outside Rim Cylinder AG012, Lekov	432	G.MZ.1336   Furniture Cylinder Lock 1336	401
G.AZ.AG036   Outside Rim Cylinder AG036, CISA	433	G.MZ.1350   Furniture Cylinder 1080 for 1350	393
G.AZ.AG047   Outside Rim Cylinder AG047, Zeiss Ikon	435	G.MZ.2345   Furniture Cylinder 1080 for 2345	395
G.AZ.AG083   Outside Rim Cylinder AG083, ABUS	437	G.MZ.3561_24102   Furniture Olive 3561	407
G.AZ.D24   Outside Rim Cylinder, Diameter 24 mm	427	G.MZ.440_Z   Furniture Olive 440.Z, with Single Euro Profile Cylinder	405
G.AZ.D29   Outside Rim Cylinder, Diameter 29 mm	429	G.MZ.ASS   Furniture Cylinder ASS	403
G.BAZ   Construction Time Function	317	G.MZ_KP.1050/1070   Furniture Cylinder 1050 or 1070, Small Profile	408
G.BDKZ   Blind Thumbturn Double Cylinder, Euro Profile	339	G.MZ_KP.1095   Furniture Cylinder Lock, for Sliding Doors, Small Profile	414
G.BHZ_DK   Blind Thumbturn Single Cylinder, Euro Profile	342	G.MZ_KP.1335   Furniture Cylinder Lock, for Desks, Small Profile	415
G.BIBLE.AG263   Bible Cylinder AG263, CISA	448	G.MZ_KP.1336   Furniture Cylinder Lock, for Desks, Small Profile	416
G.BL   Blind on One Cylinder Side	306	G.MZ_KP.1350   Furniture Cylinder 1050/1070 for 1350, Small Profile	410
G.BMZ   Camlock Cylinder	372	G.MZ_KP.2345   Furniture Cylinder 1050/1070 for 2345, Small Profile	412
G.BMZ1   Camlock Cylinder 1	379	G.MZ_KP.3541_24102   Furniture Olive 3541, Small Profile	419
G.BMZ1_KP   Camlock Cylinder 1, Small Profile	382	G.MZ_KP.ASS   Furniture Cylinder ASS, Small Profile	417
G.BOHZ   Blind Oval Single Cylinder	354		
G.BSZ   Double Key Override	307		

# Index

G.NSK   Emergency Key Cabinet	461	G.ZUS.1210   Surface Mounted Security Locks, Series 1210	454
G.OHZ_SK.2520   Oval Single Cylinder 2520, Norway	346	K.2004   Insert Weather Protection Cap	49
G.OHZ_SK.2537   Oval Single Cylinder 2537, Norway	348	K.AFZ_13544-V2   Elevator Control Cylinder, without switch element	239
G.OHZ_SK.2547   Oval Single Cylinder 2547, Inside, Norway	350	K.AFZ_EDP50/2/OS   Elevator Control Cylinder, without switch element	241
G.OHZ_SK.2557   Oval Single Cylinder 2557, Rokoko, Norway	352	K.AFZ_KO431A1   Elevator Control Cylinder, without Switch Element	243
G.OHZ_SK.325   Oval Single Cylinder 325, Sweden	355	K.AZ_1007   Outside Rim Cylinder, centric, diameter 29 mm	204
G.OHZ_SK.326   Oval Single Cylinder 326, Rokoko, Sweden	357	K.AZ_120K5-V1K   Outside Rim Cylinder for Lockwood and ORB Security Locks	214
G.OHZ_SK.327   Oval Single Cylinder 327, with Long Tailpiece, Sweden	359	K.AZ_1508   Outside Rim Cylinder, excentric, diameter 32 mm	212
G.OHZ_SK.329   Oval Single Cylinder 329, Rokoko, with Long Tailpiece, Sweden	361	K.AZ_89-4-007   Outside Rim Cylinder, excentric, diameter 29 mm	206
G.PS   Restricted Access Option	313	K.AZ_95-4-131   Outside Rim Cylinder, diameter 29 mm	208
G.SBS   Sacrificial Break Slot	314	K.AZ_96-4-001   Outside Rim Cylinder, diameter 29 mm	210
G.SCHRZ   Screw-In Cylinder	370	K.AZ_AK745   Outside Rim Cylinder for CISA Surface-Mounted Lock	215
G.SD   Key Deposit	463	K.AZIZ/AK285_745   Outside and Inside Cylinders for CISA Electric Locks	217
G.SE   Side Elements	315	K.BAZ   Construction Time Function	38
G.SK   Key Cabinet	459	K.BDKZ   Blind Thumbturn Cylinder, Euro Profile	70
G.SNOWMAN   Snowman Cylinder	450	K.BIBLE_181K5-V1K   Bible Cylinder for Boyd Z Lock	245
G.SSW   Dust and Splash Protection	318	K.BIBLE_AK996   Bible Cylinder for Meroni UFO3 Lock	247
G.SUZ   Self-Changeable Cylinder (SUZ and SUZ1)	316	K.BILBE_AK967   Bible Cylinder for Meroni UFO Lock	246
G.SWF   Seawater Resistant	319	K.BL   Blind on One Side of the Cylinder	51
G.UDKZ   Union Thumbturn Cylinder	365	K.BMZ_1031/1061   Camlock	129
G.UDZ   Union Double Cylinder	363	K.BMZ_1090   Camlock Cylinder	137
G.UHZ   Union Single Cylinder	368	K.BMZ_1091   Camlock Cylinder	143
G.VdS   VdS Certification	320	K.BMZ_4007   Camlock Cylinder M27x1	152
G.VHZ.45   Padlock 45	389	K.BMZ_83-3-032   Camlock Cylinder	149
G.VK   Wear-Resistant Barrel	321	K.BSZ   Double Key Override (key override from both sides)	40
G.WCZ   WC Cylinder, Euro Profile	344	K.DF   Duplo Function	39
G.ZR   Cogwheel Cam	322	K.DKHZ   Single Thumbturn Cylinder, Euro Profile	72
G.ZSL GF   Emergency Override Key	300	K.DKHZCH   Single Thumbturn Cylinder, Swiss Round Profile	89
G.ZSL.ER   Serrated Key with Cornered Bow	287		
G.ZSL.MC   Serrated Key with Metal Clip	294		
G.ZSL.RR   Serrated Key with Round Bow	297		
G.ZSL.SK   Serrated Key with RFID Transponder Clip	302		
G.ZSL.TK   Serrated Key with Trendkey Clip	291		
G.ZSL_KP   Key with Small Profile	299		
G.ZUS.1200   Surface Mounted Security Locks, Series 1200	453		

# Index

K.DKZ   Thumbturn Cylinder, Euro Profile	59	K.MZ_1033   Furniture Cylinder	172
K.DKZ_AK571   Thumbturn Cylinder, FICHET MONOBLOC	78	K.MZ_1057   Furniture Cylinder for Espagnolette	
K.DKZ_CH   Thumbturn Cylinder, Swiss Round Profile	87	Locks	174
K.DKZ_TIC   Thermally Insulated Thumbturn Cylinder, Euro Profile	66	K.MZ_1129/1136   Furniture Cylinder with Hooked Cam	186
K.DRZ_1064   Push Cylinder, diameter 22 mm	250	K.MZ_1134_Double Cylinder Camlock, PICARD	188
K.DRZ_75-4-020   Push Cylinder	252	K.MZ_1180   Furniture Cylinder 1180	176
K.DSR_92-4-131   Key Deposit Tube, screw in	267	K.MZ_80-3-070   Furniture Cylinder with Hooked Cam	178
K.DSR_95-4-117   Key Deposit Tube, for cards	269	K.MZ_97-4-044   Furniture Cylinder for Espagnolette- and Deadlocks	180
K.DSR_95-4-130   Key Deposit Tube, cementing in wall	270	K.MZ_97-4-045   Furniture Cylinder for Deadlock	182
K.DZ   Double Cylinder, Euro Profile	52	K.MZ_97-4-046   Furniture Cylinder for Olive Handles	184
K.DZ_AK571   Double Cylinder, FICHET MONOBLOC	76	K.NSK   Emergency Key Cabinet	264
K.DZ_AK989   Double Cylinder, VAK PICARD	80	K.ODZ 2048CF   Oval Double Cylinder, Scandinavia	106
K.DZ_AK997   Double Cylinder, DANALOCK	81	K.ODZ_304C   Oval-Double Cylinder, Scandinavia	110
K.DZ_CH   Double Cylinder, Swiss Round Profile	83	K.ODZ_3537C   Oval-Double Cylinder, Scandinavia	108
K.DZ_TIC   Thermally Insulated Double Cylinder, Euro Profile	64	K.OHZ 2048B/2048BD/2048G   Oval Single Cylinder, with Tailpiece	94
K.FG_3463   Window Handle, lockable	260	K.OHZ 2048F   Oval Inside Cylinder	96
K.FZG   Freewheel Cylinder for Gear-Operated and Panic Locks	42	K.OHZ 3520   Oval Single Cylinder	102
K.GF   Emergency Key Function	43	K.OHZ_130K5   Oval Single Cylinder, Australia	104
K.GTS_75-4-020   Push Cylinder for Glass Doors	256	K.OHZ_2048   Oval Single Cylinder, Scandinavia	90
K.GTS_80-4-040   Glass Door Cylinder 1031/1061	254	K.OHZ_2048D   Oval Single Cylinder, with Drilling Protection	92
K.HZ   Single Cylinder, Euro Profile	56	K.OHZ_2048FG   Oval Inside Cylinder, with Tailpiece	98
K.HZ_CH   Single Cylinder, Swiss Round Profile	85	K.OHZ_3537S   Oval Single Cylinder, with Drilling Protection	100
K.HZ_SKAND/305 MU   Single Cylinder, Euro Profile	112	K.OL_3413   Round Olive with Grip Recess	248
K.IZ_AK285   Inside Rim Cylinder for CISA Electric Lock	219	K.PF   Priority Function (key override from one side)	41
K.KT   Contact Pin	50	K.RZ 3534   Round Cylinder, Type 3534	120
K.LAM   Steel Reinforcement Plate	44	K.RZ 3568   Round Cylinder, Type 3568	121
K.MAS_1074   Furniture Deadlock	192	K.RZ 3568S   Round Cylinder, Type 3568S with Drilling Protection	122
K.MAS_1075   Furniture Latch Lock	194	K.RZ_3578   Round Cylinder, Type 3578 Inside Cylinder	124
K.MAS_1350   Furniture Deadlock with Adjustable Backset	190	K.RZ_4050   Round Cylinder, Type 4050	126
K.MAS_2006   Furniture Deadlock	196	K.SAT   Secure Access Temporary	36
K.MAS_2006A   Furniture Deadlock	198	K.SD   Key Deposit	266
K.MES_2345   Espagnolette Lock 2345	200	K.SIS   Dust and Insect Protection	48
K.MES_3017   Espagnolette Lock, TERZA	202	K.SK   Key Cabinet	262
K.MZ_1008c   Furniture Cylinder 1008C	164	K.SSW   Dust and Splash Protection	47
K.MZ_1032   Furniture Cylinder	170		

# Index

K.SZM_85-3-033   Key Switch Cylinder, with switch element, M23x1	234
K.SZM_M19X1   Key Switch Cylinder, with switch element, M19x1	236
K.SZO_1007F   Key Switch Cylinder, without switch element	221
K.SZO_1065B/1065C   Key Switch Cylinder, without switch element	224
K.SZO_1065BZ/1065CZ   Key Switch Cylinder, without switch element	226
K.SZO_1262   Key Switch Cylinder for Rotary Selection Switches, without switch element	232
K.SZO_87-3-008   Key Switch Cylinder, without switch element	228
K.SZO_AK794   Key Switch Cylinder, without switch element, for rail vehicles	230
K.SZO_AK854   Key Switch Cylinder, without switch element, with special coupling	231
K.UDKZ   Union Thumbturn Cylinder	118
K.UDZ   Union Double Cylinder	114
K.UHZ   Union Single Cylinder	116
K.VdS   VdS Certification	45
K.VHS_2001   Padlock, 7 mm Shackle Diameter	156
K.VHS_2001H   Padlock with Woven Steel Cable	158
K.VHS_2008   Padlock, Heavy Duty	162
K.VHS_2010   Padlock, 9 mm Shackle Diameter	160
K.VHS_90/92/93   Padlock with Spring-Loaded Shackle	154
K.WCZ   WC – Cylinder, Euro Profile	74
K.ZS   Pulling Protection Pin	46
K.ZVZ_XIII   Central Lock Cylinder XIII	258
Key Deposit Tubes with Serrated Key Cylinders	465
Largekey Clip (LK) – with LK Clip	26
Long Bow Key (LR)	30
MAS/470/EU   Furniture lock 470	423
MES/545/NI/EU   Espagnolette lock 545	422
Round Key Bow (RR)	32
Serrated Key Clips	289
Smartkey (SK) – with CC Curved Clip	22
Smartkey (SK) – with SK Clip	18

CE



[www.dormakaba.com](http://www.dormakaba.com)

dormakaba Austria GmbH  
Ulrich-Bremi-Strasse 2  
3130 Herzogenburg  
Austria  
T: +43 2782 808\*0  
F: +43 2782 808 5505

Subject to change without notice.